

NOTES:

1. MATERIAL AND FINISH

BODY BRASS, GOLD PLATING  
 CONTACT PIN BRASS, GOLD PLATING  
 INSULATOR PEEK, NATURAL

2. ELECTRICAL:

A. IMPEDANCE: 50 OHM  
 B. FREQUENCY RANGE: DC-10 GHz  
 C. INSULATION RESISTANCE: 5 GOHM MIN.  
 D. DIELECTRIC WITHSTANDING VOLTAGE: 1000 VRMS. MIN.

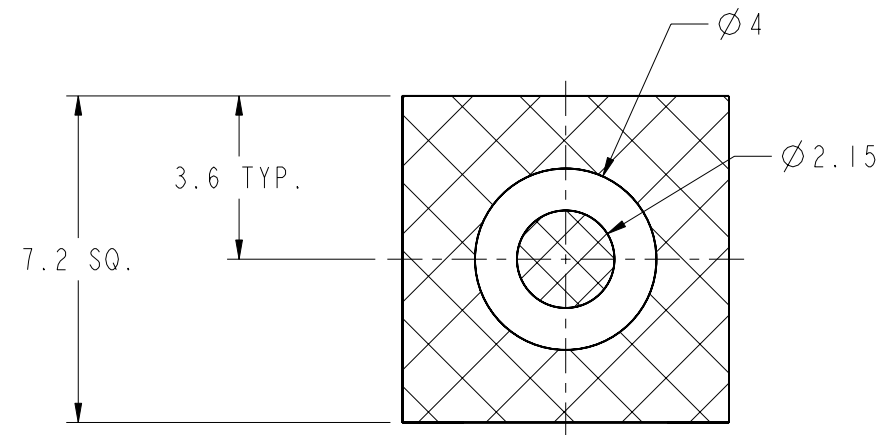
3. MECHANICAL:

A. MATING CYCLES: 100 MIN.  
 B. TEMPERATURE RANGE: -65°C TO +165°C

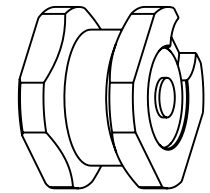
THIRD ANGLE PROJ.

REVISIONS

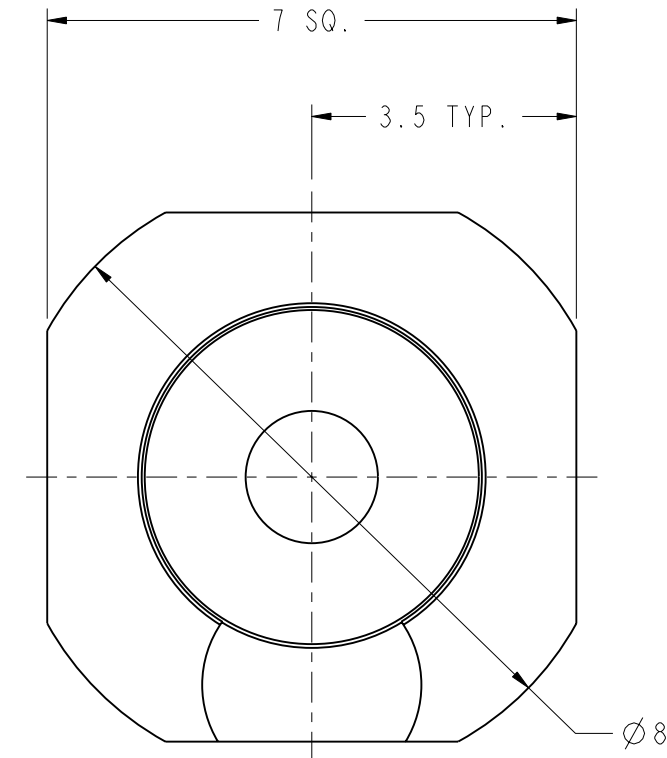
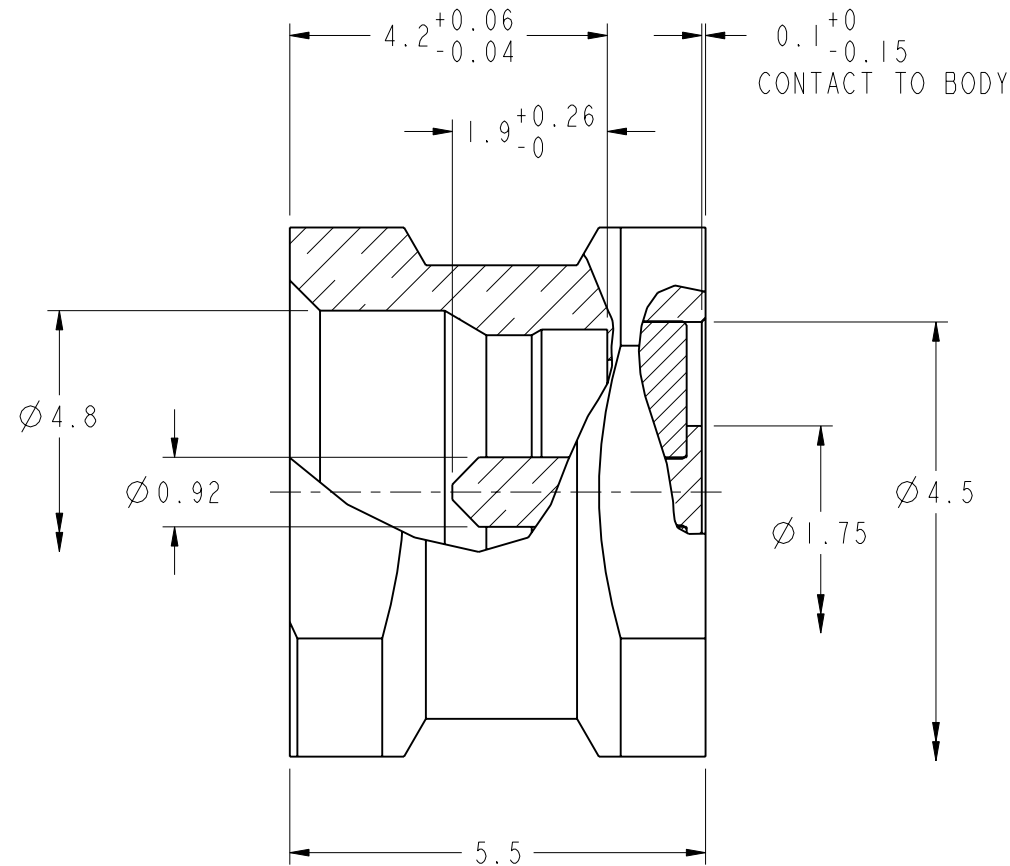
REV	DESCRIPTION	DATE	ECO	APPR
A	RELEASE TO MFG., ADDED PART NO. PSMP-MSLD-PCS	19-Nov-15	50842	BCG



RECOMMENDED PCB  
 PAD LAYOUT



SCALE 3.000



**CUSTOMER OUTLINE DRAWING**

ALL OTHER SHEETS ARE FOR INTERNAL USE ONLY

UNLESS OTHERWISE SPECIFIED, DIMENSIONS ARE IN METRIC AND TOLERANCES ARE: 0.5 - 6mm ±0.1mm    6 - 30mm ±0.2mm    30 - 120mm ±0.3mm    ANGLES ±1°	MATERIAL	DRAWN	DATE	TITLE PSMP, MALE, LIMITED DETENT	Amphenol RF Danbury CT USA, Tainan, Taiwan, Shenzhen, China www.amphenolrf.com
	REFERENCE EAR 5996 ALU PN: 1AB381080002 RSBG PN: 119S101-40ML5	ENGINEER	DATE		
NOTICE - These drawings, specifications, or other data (1) are, and remain the property of Amphenol corp. (2) must be returned upon request; and (3) are confidential and not to be disclosed to any person other than those to whom they are given by Amphenol Corp. the finishing of these drawings, specifications, or other data by Amphenol Corp., or to any other person to anyone for any purpose is not to be regarded by implication or otherwise in any manner licensing, granting rights to permitting such holder or any other person to manufacture, use or sell any product, process or design, patented or otherwise, that may in any way be related to or disclosed by said drawings, specifications, or other data.	FINISH PER KAI JACK SPEC.EP-SS-9700	APPROVED	DATE	SCALE: 10.0:1.0    SHEET 2 OF 2	ITEM NO. 671251ABJA12C5F
	I:\PSMP\PSMP1251E1-001-8GPAP8GPA-50	CAD FILE	DWG SIZE	CODE ID	REV