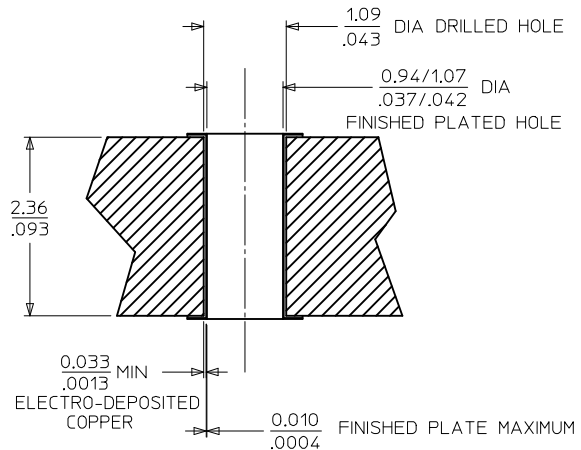
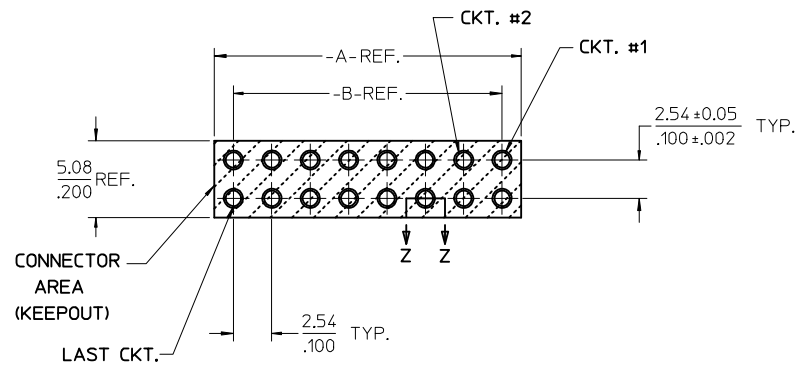


THE PRIMARY CARTON WITH A LABEL STATING "ELV AND RoHS COMPLIANT" IS LEAD FREE. CARTONS WITHOUT THIS LABEL MAY CONTAIN LEAD.



SECTION Z-Z
SCALE: 20/1



RECOMMENDED PCB LAYOUT
(COMPONENT SIDE)

- NOTES:
- MATERIAL:
INSULATOR: 30 % GLASS FILLED LCP, UL94V-0, COLOR: BLACK.
TERMINAL: COPPER ALLOY.
 - FINISH:
INSULATOR: NONE.
TERMINAL: PLATING (SEE CHART):
"A"- SELECT GOLD (0.76 MICROMETERS)/30 MICROINCHES MINIMUM, SELECT MATTE TIN (2.54 MICROMETERS)/100 MICROINCHES MINIMUM, OVER NICKEL, (FORMERLY TIN LEAD)
"B"- SELECT GOLD (0.38 MICROMETERS)/15 MICROINCHES MINIMUM, SELECT MATTE TIN (2.54 MICROMETERS)/100 MICROINCHES MINIMUM, OVER NICKEL, (FORMERLY TIN LEAD)
"C"- TIN (5.08 MICROMETERS)/200 MICROINCHES MINIMUM OVER NICKEL.
"D"- SELECT GOLD (1.27 MICROMETERS)/50 MICROINCHES MINIMUM, SELECT MATTE TIN (2.54 MICROMETERS)/100 MICROINCHES MINIMUM, OVER NICKEL, (FORMERLY TIN LEAD)
 - PRODUCT SPECIFICATION: PS-75100-001.
 - PACKAGING SPECIFICATION: PK-70873-0353.
 - RECOMMENDED PCB THICKNESS: (2.36)/.093 MINIMUM
 - THIS PART CONFORMS TO CLASS B REQUIREMENTS OF COSMETIC SPEC PS-45499-002.

CIRCUIT SIZE	DIM -A-	DIM -B-
4	4.83/190	2.54/100
6	7.37/290	5.08/200
8	9.91/390	7.62/300
10	12.45/490	10.16/400
12	14.99/590	12.70/500
14	17.53/690	15.24/600
16	20.07/790	17.78/700
18	22.61/890	20.32/800
20	25.15/990	22.86/900
22	27.69/1090	25.40/1000
24	30.23/1190	27.94/1100
26	32.77/1290	30.48/1200
28	35.31/1390	33.02/1300
30	37.85/1490	35.56/1400
32	40.39/1590	38.10/1500
34	42.93/1690	40.64/1600
36	45.47/1790	43.18/1700
38	48.01/1890	45.72/1800
40	50.55/1990	48.26/1900
42	53.09/2090	50.80/2000
44	55.63/2190	53.34/2100
46	58.17/2290	55.88/2200
48	60.71/2390	58.42/2300
50	63.25/2490	60.96/2400
52	65.79/2590	63.50/2500
54	68.33/2690	66.04/2600
56	70.87/2790	68.58/2700
58	73.41/2890	71.12/2800
60	75.95/2990	73.66/2900
62	78.49/3090	76.20/3000
64	81.03/3190	78.74/3100
66	83.57/3290	81.28/3200
68	86.11/3390	83.82/3300
70	88.65/3490	86.36/3400
72	91.19/3590	88.90/3500
74	93.73/3690	91.44/3600
76	96.27/3790	93.98/3700
78	98.81/3890	96.52/3800
80	101.35/3990	99.06/3900

ADD 50 MICRINCH GOLD EC NO: UCP2014-2991 DRWNR:WHIPPLE 2014/01/20 CHKD:MPOFF 2014/01/20 APPR:SMILLER 2014/01/28	QUALITY SYMBOLS ▽=0 ▽=0 ▽=0	GENERAL TOLERANCES (UNLESS SPECIFIED)		DIMENSION STYLE MM/IN		SCALE 4:1	DESIGN UNITS INCH	THIRD ANGLE PROJECTION		
		4 PLACES ± --- ± --- 3 PLACES ± --- ± .010 2 PLACES ± 0.25 ± --- 1 PLACE ± --- ± --- 0 PLACE ± ±		DRAWN BY MARGULIS	DATE 2002/03/11	TITLE NA WITH CPI TERMINALS				
		ANGULAR ±1/2°		CHECKED BY MARGULIS	DATE 2002/03/11	DOCUMENT NO. SD-75102-001				
		DRAFT WHERE APPLICABLE MUST REMAIN WITHIN DIMENSIONS		MATERIAL NO. SEE CHART		THIS DRAWING CONTAINS INFORMATION THAT IS PROPRIETARY TO MOLEX INCORPORATED AND SHOULD NOT BE USED WITHOUT WRITTEN PERMISSION				

CGRID 100 HEADER DUAL ROW .COMPLIANT PIN

DIM M:	6.10/.240
DIM P:	4.75/.187
PLATING:	*A*-30 GOLD
GOLD AREA DIM D:	5.08/.200
TIN AREA:	4.75/.187
VOID CKT:	NONE
PACKAGING:	PK-70873-0353

CKT	MATERIAL NO.	CKT	MATERIAL NO.
--	--	42	75102-0020
04	75102-0001	44	75102-0021
06	75102-0002	46	75102-0022
08	75102-0003	48	75102-0023
10	75102-0004	50	75102-0024
12	75102-0005	52	75102-0025
14	75102-0006	54	75102-0026
16	75102-0007	56	75102-0027
18	75102-0008	58	75102-0028
20	75102-0009	60	75102-0029
22	75102-0010	62	75102-0030
24	75102-0011	64	75102-0031
26	75102-0012	66	75102-0032
28	75102-0013	68	75102-0033
30	75102-0014	70	75102-0034
32	75102-0015	72	75102-0035
34	75102-0016	74	75102-0036
36	75102-0017	76	75102-0037
38	75102-0018	78	75102-0038
40	75102-0019	80	75102-0039

DIM M:	6.10/.240
DIM P:	4.75/.187
PLATING:	*B*-15 GOLD
GOLD AREA DIM D:	5.08/.200
TIN AREA:	4.75/.187
VOID CKT:	NONE
PACKAGING:	PK-70873-0353

CKT	MATERIAL NO.	CKT	MATERIAL NO.
--	--	42	75102-0059
04	75102-0040	44	75102-0060
06	75102-0041	46	75102-0061
08	75102-0042	48	75102-0062
10	75102-0043	50	75102-0063
12	75102-0044	52	75102-0064
14	75102-0045	54	75102-0065
16	75102-0046	56	75102-0066
18	75102-0047	58	75102-0067
20	75102-0048	60	75102-0068
22	75102-0049	62	75102-0069
24	75102-0050	64	75102-0070
26	75102-0051	66	75102-0071
28	75102-0052	68	75102-0072
30	75102-0053	70	75102-0073
32	75102-0054	72	75102-0074
34	75102-0055	74	75102-0075
36	75102-0056	76	75102-0076
38	75102-0057	78	75102-0077
40	75102-0058	80	75102-0078

DIM M:	6.10/.240
DIM P:	4.75/.187
PLATING:	*C*-TIN
GOLD AREA DIM D:	N/A
TIN AREA:	OVERALL
VOID CKT:	NONE
PACKAGING:	PK-70873-0353

CKT	MATERIAL NO.	CKT	MATERIAL NO.
--	--	42	75102-0098
04	75102-0079	44	75102-0099
06	75102-0080	46	75102-0100
08	75102-0081	48	75102-0101
10	75102-0082	50	75102-0102
12	75102-0083	52	75102-0103
14	75102-0084	54	75102-0104
16	75102-0085	56	75102-0105
18	75102-0086	58	75102-0106
20	75102-0087	60	75102-0107
22	75102-0088	62	75102-0108
24	75102-0089	64	75102-0109
26	75102-0090	66	75102-0110
28	75102-0091	68	75102-0111
30	75102-0092	70	75102-0112
32	75102-0093	72	75102-0113
34	75102-0094	74	75102-0114
36	75102-0095	76	75102-0115
38	75102-0096	78	75102-0116
40	75102-0097	80	75102-0117

SEE SHEET 1 EC NO: UCP2014-2991 DRAWN BY: WHIPPLE 2014/01/20 CHKD BY: MOFF 2014/01/20 APPR: MILLER 2014/01/28	QUALITY SYMBOLS ▽=0 ▽=0 ▽=0	GENERAL TOLERANCES (UNLESS SPECIFIED)		DIMENSION STYLE MM/IN	SCALE 4:1	DESIGN UNITS INCH	THIRD ANGLE PROJECTION 	
				DRAWN BY DATE MARGULIS 2002/03/11	NA WITH CPI TERMINALS 			
				CHECKED BY DATE MARGULIS 2002/03/11				
				APPROVED BY DATE FRY 2002/03/11	MATERIAL NO. SEE CHART	DOCUMENT NO. SD-75102-001	SHEET NO. 2 OF 4	
DRAFT WHERE APPLICABLE MUST REMAIN WITHIN DIMENSIONS		ANGULAR ±1/2°		THIS DRAWING CONTAINS INFORMATION THAT IS PROPRIETARY TO MOLEX INCORPORATED AND SHOULD NOT BE USED WITHOUT WRITTEN PERMISSION				

CGRID 100 HEADER DUAL ROW .COMPLIANT PIN

DIM M:	6.10/.240
DIM P:	4.75/.187
PLATING:	*A*-30 GOLD
GOLD AREA DIM D:	5.08/.200
TIN AREA:	4.75/.187
VOID CKT:	37
PACKAGING:	PK-70873-0353

CKT	MATERIAL NO.	CKT	MATERIAL NO.
--	--	42	75102-0020
04	--	44	75102-0021
06	--	46	75102-0022
08	--	48	75102-0023
10	--	50	75102-0024
12	--	52	75102-0025
14	--	54	75102-0026
16	--	56	75102-0027
18	--	58	75102-0028
20	--	60	75102-0029
22	--	62	75102-0030
24	--	64	75102-0031
26	--	66	75102-0032
28	--	68	75102-0033
30	--	70	75102-0034
32	--	72	75102-0035
34	--	74	75102-0036
36	--	76	75102-0037
38	75102-0018	78	75102-0038
40	75102-0020	80	75102-0039

DIM M:	6.10/.240
DIM P:	4.75/.187
PLATING:	*A*-30 GOLD
GOLD AREA DIM D:	5.08/.200
TIN AREA:	4.75/.187
VOID CKT:	28
PACKAGING:	PK-70873-0353

CKT	MATERIAL NO.	CKT	MATERIAL NO.
--	--	42	75102-0147
04	--	44	75102-0148
06	--	46	75102-0149
08	--	48	75102-0150
10	--	50	75102-0151
12	--	52	75102-0152
14	--	54	75102-0153
16	--	56	75102-0154
18	--	58	75102-0155
20	--	60	75102-0156
22	--	62	75102-0157
24	--	64	75102-0158
26	--	66	75102-0159
28	75102-0141	68	75102-0160
30	75102-0142	70	75102-0161
32	75102-0143	72	75102-0162
34	75102-0144	74	75102-0163
36	75102-0145	76	75102-0164
38	75102-0119	78	75102-0165
40	75102-0146	80	75102-0166

DIM M:	6.10/.240
DIM P:	4.75/.187
PLATING:	*A*-30 GOLD
GOLD AREA DIM D:	5.08/.200
TIN AREA:	4.75/.187
VOID CKT:	10
PACKAGING:	PK-70873-0353

CKT	MATERIAL NO.	CKT	MATERIAL NO.
--	--	42	75102-0183
04	--	44	75102-0184
06	--	46	75102-0185
08	--	48	75102-0186
10	75102-0167	50	75102-0187
12	75102-0168	52	75102-0188
14	75102-0169	54	75102-0189
16	75102-0170	56	75102-0190
18	75102-0171	58	75102-0191
20	75102-0172	60	75102-0192
22	75102-0173	62	75102-0193
24	75102-0174	64	75102-0194
26	75102-0175	66	75102-0195
28	75102-0176	68	75102-0196
30	75102-0177	70	75102-0197
32	75102-0178	72	75102-0198
34	75102-0179	74	75102-0199
36	75102-0180	76	75102-0200
38	75102-0181	78	75102-0201
40	75102-0182	80	75102-0202

SEE SHEET 1 EC NO: UCP2014-2991 DRAWN: WHIPPLE 2014/01/20 CHKD: MPOFF 2014/01/20 APPR: MILLER 2014/01/28	QUALITY SYMBOLS ▽=0 ▽=0 ▽=0	GENERAL TOLERANCES (UNLESS SPECIFIED)		DIMENSION STYLE MM/IN	SCALE 4:1	DESIGN UNITS INCH	THIRD ANGLE PROJECTION 	
				DRAWN BY DATE MARGULIS 2002/03/11	NA WITH CPI TERMINALS 			
				CHECKED BY DATE MARGULIS 2002/03/11				
				APPROVED BY DATE FRY 2002/03/11	MATERIAL NO. SEE CHART	DOCUMENT NO. SD-75102-001	SHEET NO. 3 OF 4	
		ANGULAR ±1/2°		THIS DRAWING CONTAINS INFORMATION THAT IS PROPRIETARY TO MOLEX INCORPORATED AND SHOULD NOT BE USED WITHOUT WRITTEN PERMISSION				
		DRAFT WHERE APPLICABLE MUST REMAIN WITHIN DIMENSIONS						

CGRID 100 HEADER DUAL ROW .COMPLIANT PIN

DIM M:	6.10/.240
DIM P:	4.75/.187
PLATING:	*D*-50 GOLD
GOLD AREA DIM D:	5.08/.200
TIN AREA:	4.75/.187
VOID CKT:	NONE
PACKAGING:	PK-70873-0353

CKT	MATERIAL NO.	CKT	MATERIAL NO.
--	--	42	75102-0222
04	75102-0203	44	75102-0223
06	75102-0204	46	75102-0224
08	75102-0205	48	75102-0225
10	75102-0206	50	75102-0226
12	75102-0207	52	75102-0227
14	75102-0208	54	75102-0028
16	75102-0209	56	75102-0229
18	75102-0210	58	75102-0230
20	75102-0211	60	75102-0231
22	75102-0212	62	75102-0232
24	75102-0213	64	75102-0233
26	75102-0214	66	75102-0234
28	75102-0215	68	75102-0235
30	75102-0216	70	75102-0236
32	75102-0217	72	75102-0237
34	75102-0218	74	75102-0238
36	75102-0219	76	75102-0239
38	75102-0220	78	75102-0240
40	75102-0221	80	75102-0241

DIM M:	
DIM P:	
PLATING:	
GOLD AREA DIM D:	
TIN AREA:	
VOID CKT:	
PACKAGING:	

CKT	MATERIAL NO.	CKT	MATERIAL NO.
--	--	42	
04		44	
06		46	
08		48	
10		50	
12		52	
14		54	
16		56	
18		58	
20		60	
22		62	
24		64	
26		66	
28		68	
30		70	
32		72	
34		74	
36		76	
38		78	
40		80	

DIM M:	
DIM P:	
PLATING:	
GOLD AREA DIM D:	
TIN AREA:	
VOID CKT:	
PACKAGING:	

CKT	MATERIAL NO.	CKT	MATERIAL NO.
--	--	42	
04		44	
06		46	
08		48	
10		50	
12		52	
14		54	
16		56	
18		58	
20		60	
22		62	
24		64	
26		66	
28		68	
30		70	
32		72	
34		74	
36		76	
38		78	
40		80	

SEE SHEET 1 EC NO: UCP2014-2991 DRAWN: WHIPPLE 2014/01/20 CHKD: MPOFF 2014/01/20 APPR: SMILLER 2014/01/28	REV H	DESCRIPTION QUALITY SYMBOLS ▽=0 ▽=0 ▽=0	GENERAL TOLERANCES (UNLESS SPECIFIED)		DIMENSION STYLE MM/IN	SCALE 4:1	DESIGN UNITS INCH	THIRD ANGLE PROJECTION 	
					mm	INCH	TITLE NA WITH CPI TERMINALS		
			4 PLACES ± --- ± ---		3 PLACES ± --- ± .010		DRAWN BY DATE MARGULIS 2002/03/11		
			2 PLACES ± 0.25 ± ---		1 PLACE ± --- ± ---		CHECKED BY DATE MARGULIS 2002/03/11		
0 PLACE ± --- ± ---		ANGULAR ±1/2°		APPROVED BY DATE FRY 2002/03/11					
DRAFT WHERE APPLICABLE MUST REMAIN WITHIN DIMENSIONS				MATERIAL NO. SEE CHART		DOCUMENT NO. SD-75102-001		SHEET NO. 4 OF 4	
THIS DRAWING CONTAINS INFORMATION THAT IS PROPRIETARY TO MOLEX INCORPORATED AND SHOULD NOT BE USED WITHOUT WRITTEN PERMISSION									

**CGRID 100 HEADER DUAL ROW
.COMPLIANT PIN**

DIM M:	6.10/.240
DIM P:	4.75/.187
PLATING:	"A" – 30 GOLD
GOLD AREA DIM D:	5.08/.200
TIN AREA:	4.75/.187
VOID CKT:	NONE
PACKAGING:	PK-70873-0353

DIM M:	6.10/.240
DIM P:	4.75/.187
PLATING:	"B" – 15 GOLD
GOLD AREA DIM D:	5.08/.200
TIN AREA:	4.75/.187
VOID CKT:	NONE
PACKAGING:	PK-70873-0353

DIM M:	6.10/.240
DIM P:	4.75/.187
PLATING:	"C" - TIN
GOLD AREA DIM D:	N/A
TIN AREA:	OVERALL
VOID CKT:	NONE
PACKAGING:	PK-70873-0353

CKT	MATERIAL NO.	CKT	MATERIAL NO.
--	--	42	75102-0020
04	75102-0001	44	75102-0021
06	75102-0002	46	75102-0022
08	75102-0003	48	75102-0023
10	75102-0004	50	75102-0024
12	75102-0005	52	75102-0025
14	75102-0006	54	75102-0026
16	75102-0007	56	75102-0027
18	75102-0008	58	75102-0028
20	75102-0009	60	75102-0029
22	75102-0010	62	75102-0030
24	75102-0011	64	75102-0031
26	75102-0012	66	75102-0032
28	75102-0013	68	75102-0033
30	75102-0014	70	75102-0034
32	75102-0015	72	75102-0035
34	75102-0016	74	75102-0036
36	75102-0017	76	75102-0037
38	75102-0018	78	75102-0038
40	75102-0019	80	75102-0039

CKT	MATERIAL NO.	CKT	MATERIAL NO.
--	--	42	75102-0059
04	75102-0040	44	75102-0060
06	75102-0041	46	75102-0061
08	75102-0042	48	75102-0062
10	75102-0043	50	75102-0063
12	75102-0044	52	75102-0064
14	75102-0045	54	75102-0065
16	75102-0046	56	75102-0066
18	75102-0047	58	75102-0067
20	75102-0048	60	75102-0068
22	75102-0049	62	75102-0069
24	75102-0050	64	75102-0070
26	75102-0051	66	75102-0071
28	75102-0052	68	75102-0072
30	75102-0053	70	75102-0073
32	75102-0054	72	75102-0074
34	75102-0055	74	75102-0075
36	75102-0056	76	75102-0076
38	75102-0057	78	75102-0077
40	75102-0058	80	75102-0078

CKT	MATERIAL NO.	CKT	MATERIAL NO.
--	--	42	75102-0098
04	75102-0079	44	75102-0099
06	75102-0080	46	75102-0100
08	75102-0081	48	75102-0101
10	75102-0082	50	75102-0102
12	75102-0083	52	75102-0103
14	75102-0084	54	75102-0104
16	75102-0085	56	75102-0105
18	75102-0086	58	75102-0106
20	75102-0087	60	75102-0107
22	75102-0088	62	75102-0108
24	75102-0089	64	75102-0109
26	75102-0090	66	75102-0110
28	75102-0091	68	75102-0111
30	75102-0092	70	75102-0112
32	75102-0093	72	75102-0113
34	75102-0094	74	75102-0114
36	75102-0095	76	75102-0115
38	75102-0096	78	75102-0116
40	75102-0097	80	75102-0117

NOTE: SHEET 1 IS AN ANNOTATOR DOCUMENT

REV: E	SEE SHT 1	TITLE: .100 DUAL ROW HEADER WITH CPI TERMINALS	SHEET No. 2
DOCUMENT NUMBER: SD- 75102-001	CREATED / REVISED BY: SAMIEC	CHECKED BY: MARGULIS	APPROVED BY: MARGULIS

**CGRID 100 HEADER DUAL ROW
.COMPLIANT PIN**

DIM M:	6.10/.240
DIM P:	4.75/.187
PLATING:	"A" – 30 GOLD
GOLD AREA DIM D:	5.08/.200
TIN AREA:	4.75/.187
VOID CKT:	37
PACKAGING:	PK-70873-0353

DIM M:	6.10/.240
DIM P:	4.75/.187
PLATING:	"A" – 30 GOLD
GOLD AREA DIM D:	5.08/.200
TIN AREA:	4.75/.187
VOID CKT:	28
PACKAGING:	PK-70873-0353

DIM M:	6.10/.240
DIM P:	4.75/.187
PLATING:	"A" – 30 GOLD
GOLD AREA DIM D:	5.08/.200
TIN AREA:	4.75/.187
VOID CKT:	10
PACKAGING:	PK-70873-0353

CKT	MATERIAL NO.	CKT	MATERIAL NO.
--	--	42	75102-0121
04	--	44	75102-0122
06	--	46	75102-0123
08	--	48	75102-0124
10	--	50	75102-0125
12	--	52	75102-0126
14	--	54	75102-0127
16	--	56	75102-0128
18	--	58	75102-0129
20	--	60	75102-0130
22	--	62	75102-0131
24	--	64	75102-0132
26	--	66	75102-0133
28	--	68	75102-0134
30	--	70	75102-0135
32	--	72	75102-0136
34	--	74	75102-0137
36	--	76	75102-0138
38	75102-0118	78	75102-0139
40	75102-0120	80	75102-0140

CKT	MATERIAL NO.	CKT	MATERIAL NO.
--	--	42	75102-0147
04	--	44	75102-0148
06	--	46	75102-0149
08	--	48	75102-0150
10	--	50	75102-0151
12	--	52	75102-0152
14	--	54	75102-0153
16	--	56	75102-0154
18	--	58	75102-0155
20	--	60	75102-0156
22	--	62	75102-0157
24	--	64	75102-0158
26	--	66	75102-0159
28	75102-0141	68	75102-0160
30	75102-0142	70	75102-0161
32	75102-0143	72	75102-0162
34	75102-0144	74	75102-0163
36	75102-0145	76	75102-0164
38	75102-0119	78	75102-0165
40	75102--0146	80	75102-0166

CKT	MATERIAL NO.	CKT	MATERIAL NO.
--	--	42	75102-0183
04	--	44	75102-0184
06	--	46	75102-0185
08	--	48	75102-0186
10	75102-0167	50	75102-0187
12	75102-0168	52	75102-0188
14	75102-0169	54	75102-0189
16	75102-0170	56	75102-0190
18	75102-0171	58	75102-0191
20	75102-0172	60	75102-0192
22	75102-0173	62	75102-0193
24	75102-0174	64	75102-0194
26	75102-0175	66	75102-0195
28	75102-0176	68	75102-0196
30	75102-0177	70	75102-0197
32	75102-0178	72	75102-0198
34	75102-0179	74	75102-0199
36	75102-0180	76	75102-0200
38	75102-0181	78	75102-0201
40	75102-0182	80	75102-0202

REV: E	SEE SHT 1	TITLE: .100 DUAL ROW HEADER WITH CPI TERMINALS	SHEET No. 3
DOCUMENT NUMBER: SD- 75102-001	CREATED / REVISED BY: SAMIEC	CHECKED BY: MARGULIS	APPROVED BY: MARGULIS

**CGRID 100 HEADER DUAL ROW
.COMPLIANT PIN**

DIM M:	6.10/.240
DIM P:	4.75/.187
PLATING:	"A" – 50 GOLD
GOLD AREA DIM D:	5.08/.200
TIN AREA:	4.75/.187
VOID CKT:	NONE
PACKAGING:	PK-70873-0353

DIM M:	
DIM P:	
PLATING:	
GOLD AREA DIM D:	
TIN AREA:	
VOID CKT:	
PACKAGING:	

DIM M:	
DIM P:	
PLATING:	
GOLD AREA DIM D:	
TIN AREA:	
VOID CKT:	
PACKAGING:	

CKT	MATERIAL NO.	CKT	MATERIAL NO.
--	--	42	75102-0222
04	75102-0203	44	75102-0223
06	75102-0204	46	75102-0224
08	75102-0205	48	75102-0225
10	75102-0206	50	75102-0226
12	75102-0207	52	75102-0227
14	75102-0208	54	75102-0228
16	75102-0209	56	75102-0229
18	75102-0210	58	75102-0230
20	75102-0211	60	75102-0231
22	75102-0212	62	75102-0232
24	75102-0213	64	75102-0233
26	75102-0214	66	75102-0234
28	75102-0215	68	75102-0235
30	75102-0216	70	75102-0236
32	75102-0217	72	75102-0237
34	75102-0218	74	75102-0238
36	75102-0219	76	75102-0239
38	75102-0220	78	75102-0240
40	75102-0221	80	75102-0241

CKT	MATERIAL NO.	CKT	MATERIAL NO.
--	--	42	
04		44	
06		46	
08		48	
10		50	
12		52	
14		54	
16		56	
18		58	
20		60	
22		62	
24		64	
26		66	
28		68	
30		70	
32		72	
34		74	
36		76	
38		78	
40		80	

CKT	MATERIAL NO.	CKT	MATERIAL NO.
--	--	42	
04		44	
06		46	
08		48	
10		50	
12		52	
14		54	
16		56	
18		58	
20		60	
22		62	
24		64	
26		66	
28		68	
30		70	
32		72	
34		74	
36		76	
38		78	
40		80	

NOTE: SHEET 1 IS AN ANNOTATOR DOCUMENT

REV: E	SEE SHT 1	TITLE: .100 DUAL ROW HEADER WITH CPI TERMINALS	SHEET No. 4
DOCUMENT NUMBER: SD- 75102-001	CREATED / REVISED BY: SAMIEC	CHECKED BY: MARGULIS	APPROVED BY: MARGULIS