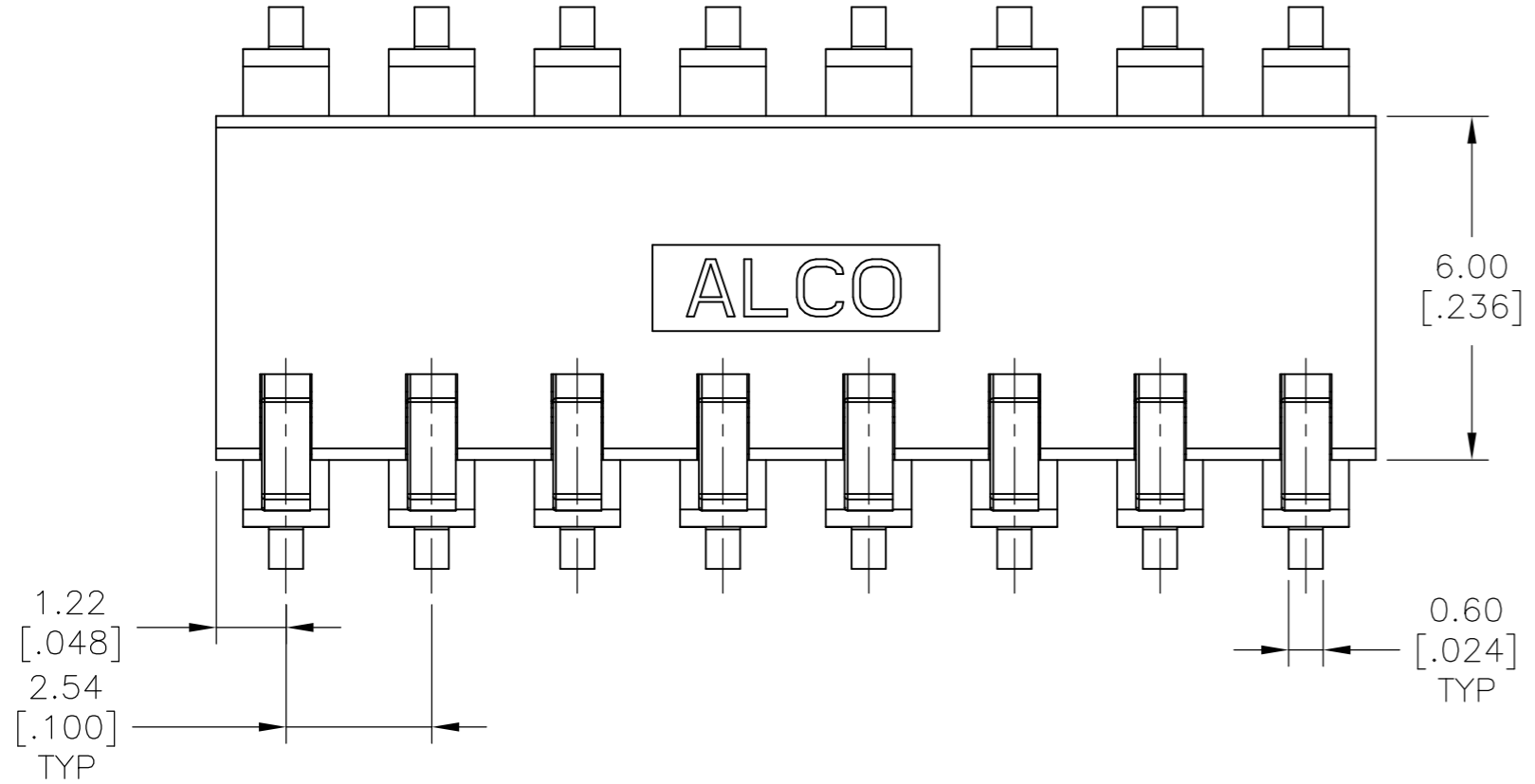
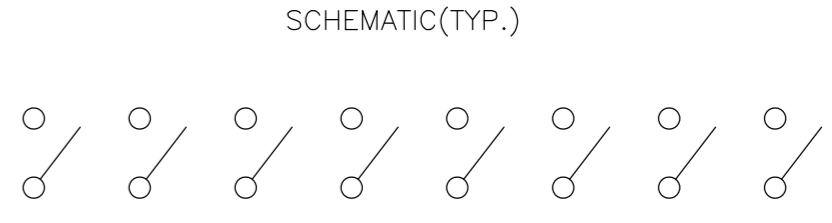
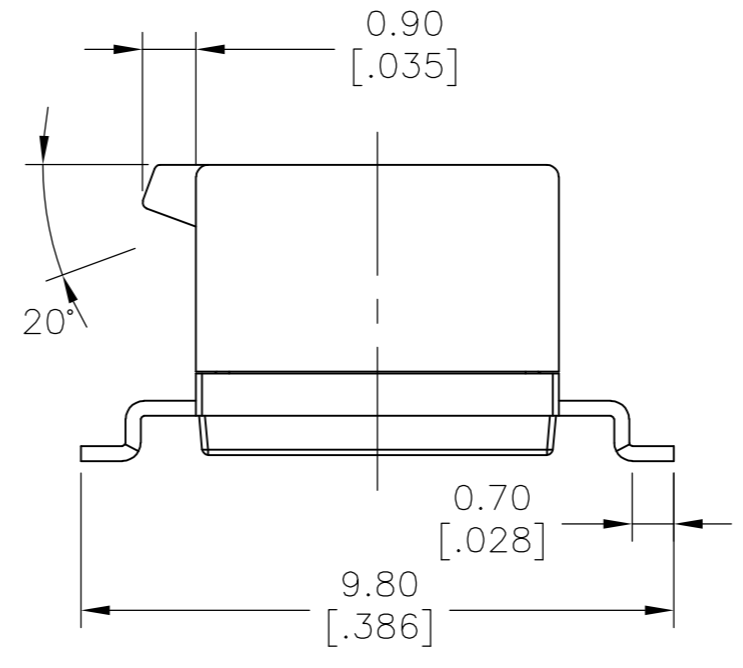
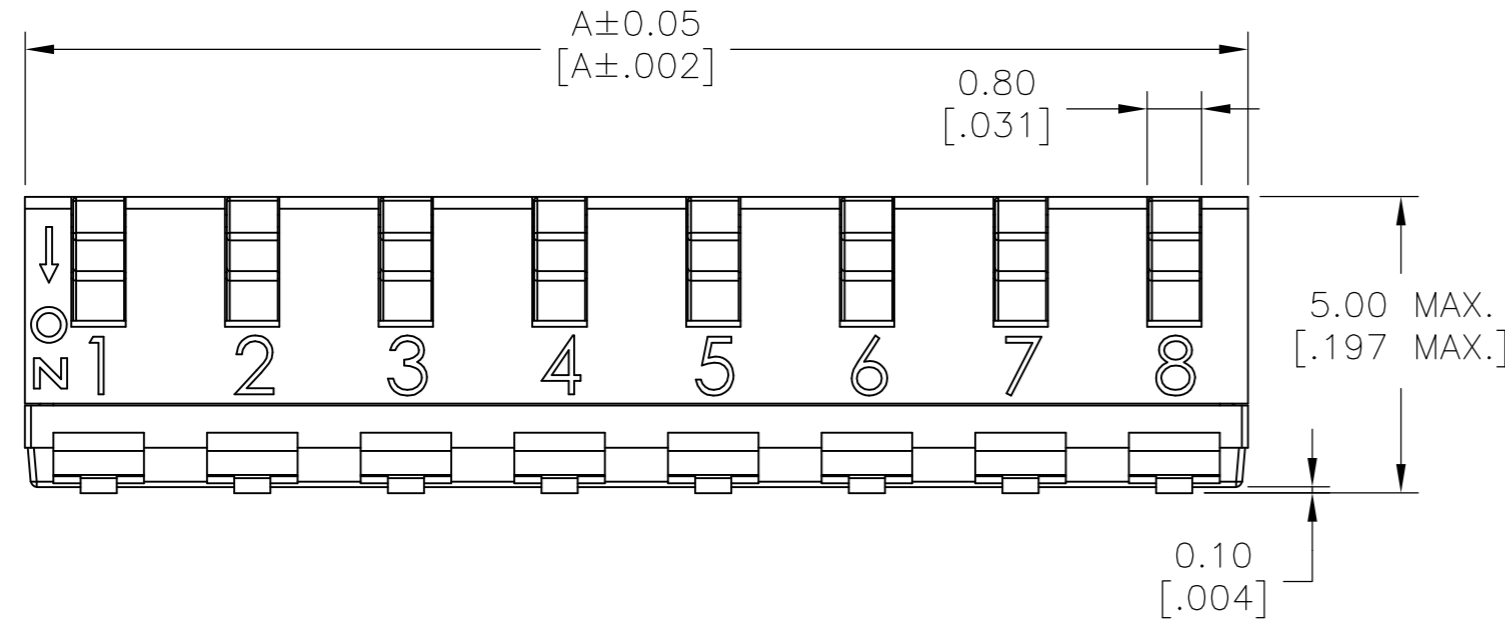
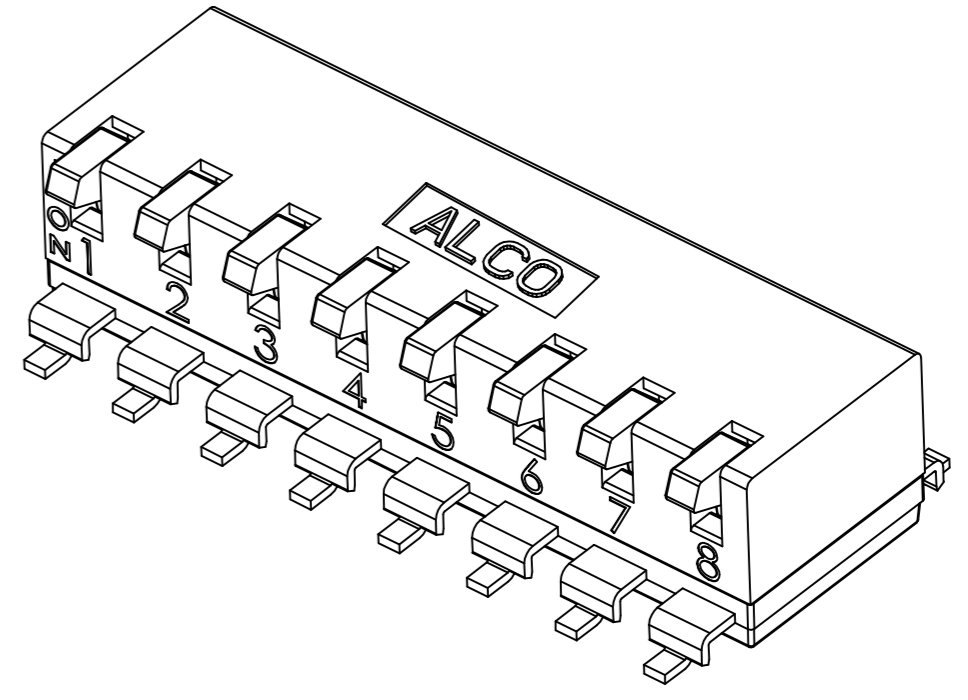


THIS DRAWING IS UNPUBLISHED. RELEASED FOR PUBLICATION
 © COPYRIGHT - TE Connectivity ALL RIGHTS RESERVED.

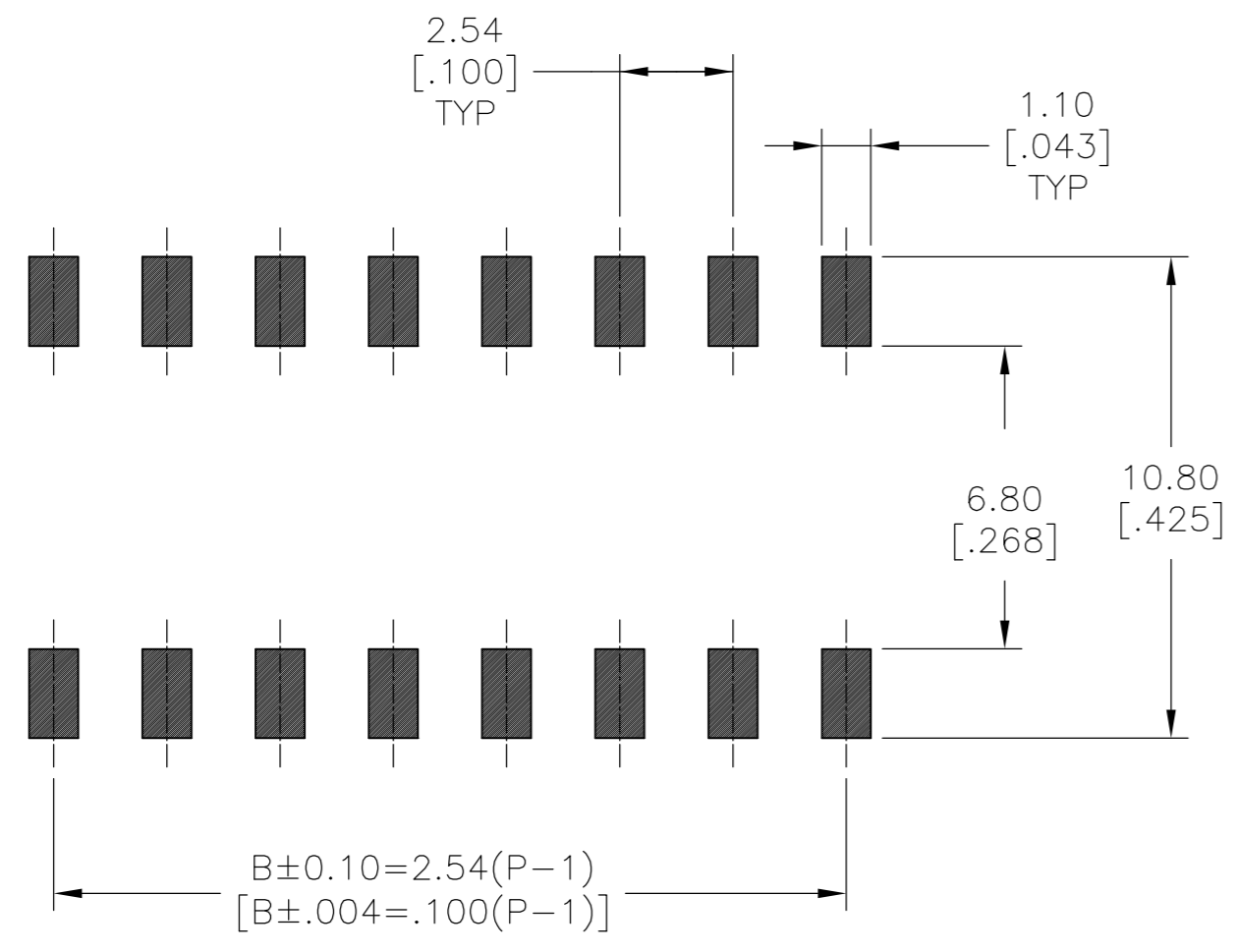
REVISIONS					
P	LTR	DESCRIPTION	DATE	DWN	APVD
A		INITIAL RELEASE	29MAY2017	SK	AS



LONG ACTUATOR
 PUSH DOWN ON



(2, 4, 6, 8, 10 POS AVAIL)
 CIRCUIT DIAGRAM



P.C.B. LAYOUT

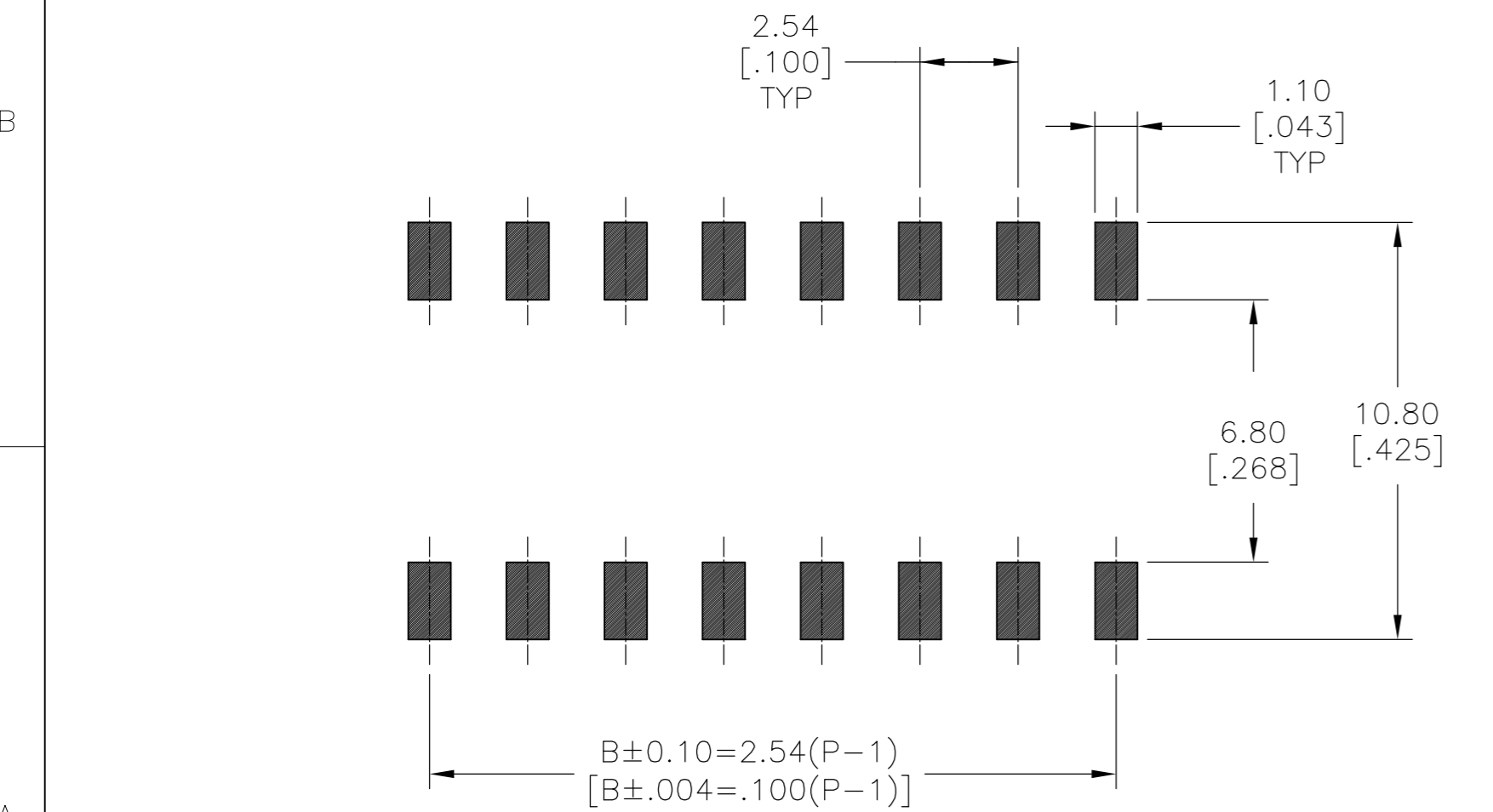
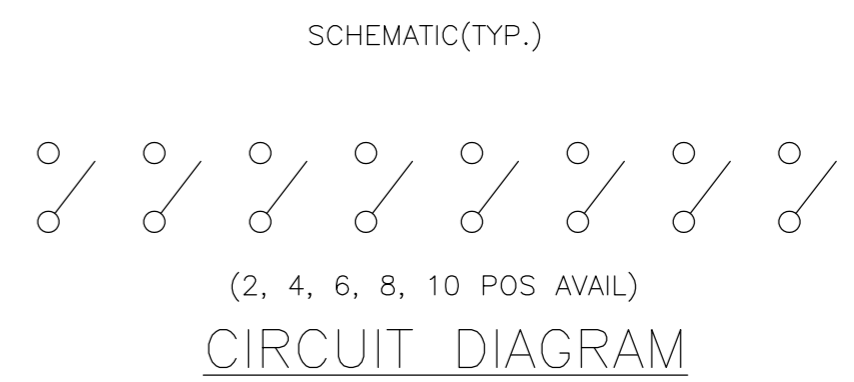
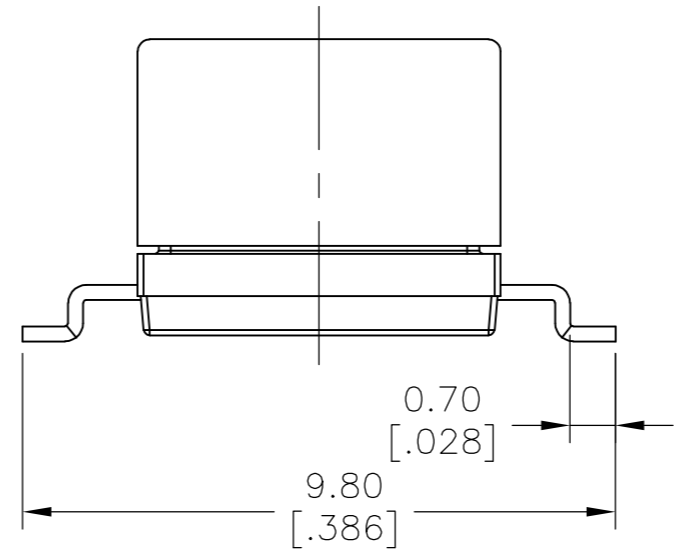
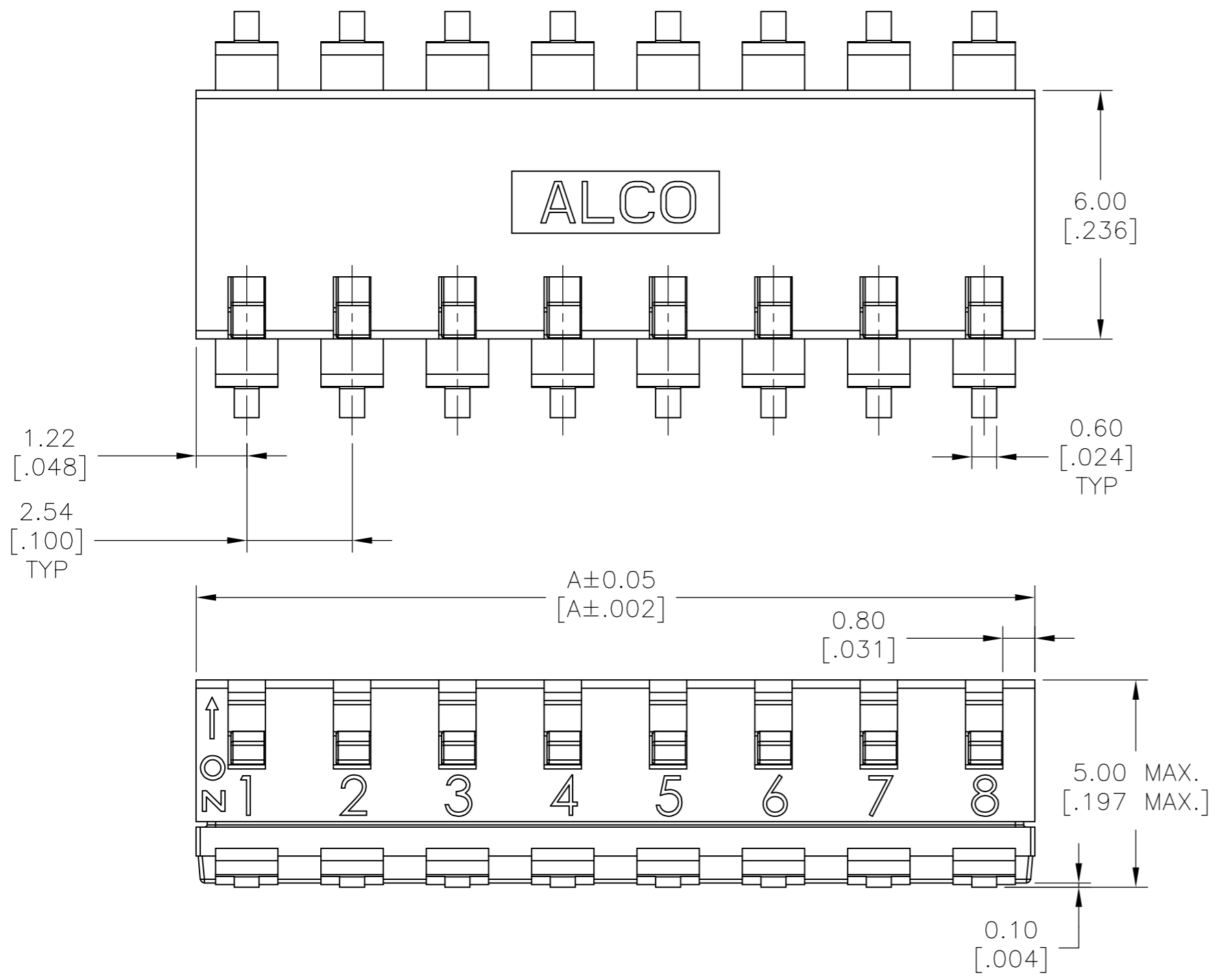
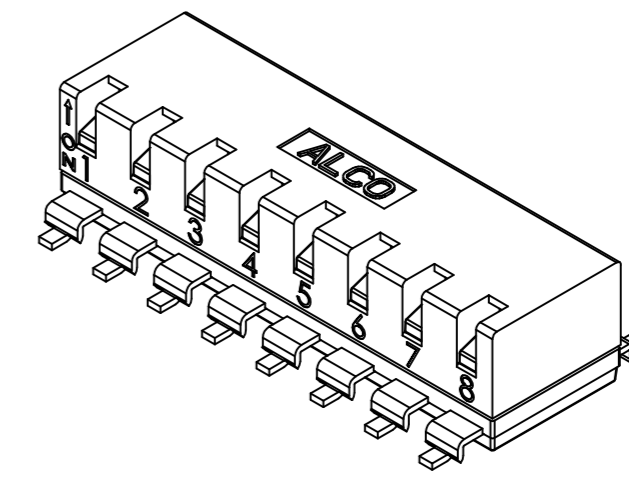
- EDSP
- SG
- 04
- ROHS COMPLIANT
- PACKAGING:
TU=TUBE
TR=TAPE AND REEL
- SEAL:
N=NONE
S=TOP SEAL
- ACTUATOR:
L=LONG
R=SHORT
- ACTUATION:
N=PUSH DOWN ON
F=PUSH UP ON

THIS DRAWING IS A CONTROLLED DOCUMENT.		DWN SHIVAKUMAR S S	12MAY2017		TE Connectivity		
DIMENSIONS: mm[INCHES]		CHK ALEXANDER SHARPE	12MAY2017		NAME PIANO DIP SWITCH END STACKABLE		
TOLERANCES UNLESS OTHERWISE SPECIFIED:		APVD ALEXANDER SHARPE	12MAY2017		SIZE A2		
0 PLC ± - 1 PLC ± - 2 PLC ± 0.20[.008] 3 PLC ± - 4 PLC ± - ANGLES ± - FINISH		PRODUCT SPEC			CAGE CODE 00779	DRAWING NO C=2319764	RESTRICTED TO
MATERIAL		WEIGHT		SCALE 1:1		SHEET 1 of 4	
		CUSTOMER DRAWING		REV A			

THIS DRAWING IS UNPUBLISHED. RELEASED FOR PUBLICATION
 © COPYRIGHT - TE Connectivity ALL RIGHTS RESERVED.

REVISIONS					
P	LTR	DESCRIPTION	DATE	DWN	APVD
-	-	SEE SHEET 1	-	-	-

SHORT ACTUATOR
PUSH UP ON



P.C.B. LAYOUT

THIS DRAWING IS A CONTROLLED DOCUMENT.		DWN 12MAY2017 SHIVAKUMAR S S		
DIMENSIONS: mm[INCHES]		CHK 12MAY2017 ALEXANDER SHARPE		
TOLERANCES UNLESS OTHERWISE SPECIFIED:		APVD 12MAY2017 ALEXANDER SHARPE	NAME PIANO DIP SWITCH END STACKABLE	
0 PLC ± -		PRODUCT SPEC	-	
1 PLC ± -		APPLICATION SPEC	-	
2 PLC ± 0.20[.008]		WEIGHT	-	
3 PLC ± -		MATERIAL	-	
4 PLC ± -		FINISH	-	
ANGLES ± -		CUSTOMER DRAWING	-	
MATERIAL		SCALE 1:1	SHEET 2 of 4	REV A

THIS DRAWING IS UNPUBLISHED. RELEASED FOR PUBLICATION
 © COPYRIGHT - TE Connectivity ALL RIGHTS RESERVED.

REVISIONS				
P	LTR	DESCRIPTION	DATE	DWN
-	-	SEE SHEET 1	-	-

YES	DOWN ON	7.62 [.300]	10.06 [.396]	04	EDSP04SGRNSTR04	5-2319764-2
		2.54 [.100]	4.98 [.196]	02	EDSP02SGRNSTR04	5-2319764-1
		22.86 [.900]	25.30 [.996]	10	EDSP10SGRFNTR04	5-2319764-0
		17.78 [.700]	20.22 [.796]	08	EDSP08SGRFNTR04	4-2319764-9
		12.70 [.500]	15.14 [.596]	06	EDSP06SGRFNTR04	4-2319764-8
		7.62 [.300]	10.06 [.396]	04	EDSP04SGRFNTR04	4-2319764-7
		2.54 [.100]	4.98 [.196]	02	EDSP02SGRFNTR04	4-2319764-6
		22.86 [.900]	25.30 [.996]	10	EDSP10SGLFNTR04	4-2319764-5
		17.78 [.700]	20.22 [.796]	08	EDSP08SGLFNTR04	4-2319764-4
		12.70 [.500]	15.14 [.596]	06	EDSP06SGLFNTR04	4-2319764-3
		7.62 [.300]	10.06 [.396]	04	EDSP04SGLFNTR04	4-2319764-2
		2.54 [.100]	4.98 [.196]	02	EDSP02SGLFNTR04	4-2319764-1
		22.86 [.900]	25.30 [.996]	10	EDSP10SGRNNTRO4	4-2319764-0
		17.78 [.700]	20.22 [.796]	08	EDSP08SGRNNTRO4	3-2319764-9
		12.70 [.500]	15.14 [.596]	06	EDSP06SGRNNTRO4	3-2319764-8
		7.62 [.300]	10.06 [.396]	04	EDSP04SGRNNTRO4	3-2319764-7
		2.54 [.100]	4.98 [.196]	02	EDSP02SGRNNTRO4	3-2319764-6
		22.86 [.900]	25.30 [.996]	10	EDSP10SGLNNTRO4	3-2319764-5
		17.78 [.700]	20.22 [.796]	08	EDSP08SGLNNTRO4	3-2319764-4
		12.70 [.500]	15.14 [.596]	06	EDSP06SGLNNTRO4	3-2319764-3
		7.62 [.300]	10.06 [.396]	04	EDSP04SGLNNTRO4	3-2319764-2
		2.54 [.100]	4.98 [.196]	02	EDSP02SGLNNTRO4	3-2319764-1
		22.86 [.900]	25.30 [.996]	10	EDSP10SGRFSTU04	3-2319764-0
		17.78 [.700]	20.22 [.796]	08	EDSP08SGRFSTU04	2-2319764-9
		12.70 [.500]	15.14 [.596]	06	EDSP06SGRFSTU04	2-2319764-8
		7.62 [.300]	10.06 [.396]	04	EDSP04SGRFSTU04	2-2319764-7

YES	DOWN ON	2.54 [.100]	4.98 [.196]	02	EDSP02SGRFSTU04	2-2319764-6
		22.86 [.900]	25.30 [.996]	10	EDSP10SGRNSTU04	2-2319764-5
		17.78 [.700]	20.22 [.796]	08	EDSP08SGRNSTU04	2-2319764-4
		12.70 [.500]	15.14 [.596]	06	EDSP06SGRNSTU04	2-2319764-3
		7.62 [.300]	10.06 [.396]	04	EDSP04SGRNSTU04	2-2319764-2
		2.54 [.100]	4.98 [.196]	02	EDSP02SGRNSTU04	2-2319764-1
		22.86 [.900]	25.30 [.996]	10	EDSP10SGRFNTU04	2-2319764-0
		17.78 [.700]	20.22 [.796]	08	EDSP08SGRFNTU04	1-2319764-9
		12.70 [.500]	15.14 [.596]	06	EDSP06SGRFNTU04	1-2319764-8
		7.62 [.300]	10.06 [.396]	04	EDSP04SGRFNTU04	1-2319764-7
		2.54 [.100]	4.98 [.196]	02	EDSP02SGRFNTU04	1-2319764-6
		22.86 [.900]	25.30 [.996]	10	EDSP10SGLFNNTU04	1-2319764-5
		17.78 [.700]	20.22 [.796]	08	EDSP08SGLFNNTU04	1-2319764-4
		12.70 [.500]	15.14 [.596]	06	EDSP06SGLFNNTU04	1-2319764-3
		7.62 [.300]	10.06 [.396]	04	EDSP04SGLFNNTU04	1-2319764-2
		2.54 [.100]	4.98 [.196]	02	EDSP02SGLFNNTU04	1-2319764-1
		22.86 [.900]	25.30 [.996]	10	EDSP10SGRNNTU04	1-2319764-0
		17.78 [.700]	20.22 [.796]	08	EDSP08SGRNNTU04	2319764-9
		12.70 [.500]	15.14 [.596]	06	EDSP06SGRNNTU04	2319764-8
		7.62 [.300]	10.06 [.396]	04	EDSP04SGRNNTU04	2319764-7
		2.54 [.100]	4.98 [.196]	02	EDSP02SGRNNTU04	2319764-6
		22.86 [.900]	25.30 [.996]	10	EDSP10SGLNNTU04	2319764-5
		17.78 [.700]	20.22 [.796]	08	EDSP08SGLNNTU04	2319764-4
		12.70 [.500]	15.14 [.596]	06	EDSP06SGLNNTU04	2319764-3
		7.62 [.300]	10.06 [.396]	04	EDSP04SGLNNTU04	2319764-2
		2.54 [.100]	4.98 [.196]	02	EDSP02SGLNNTU04	2319764-1

TAPE	ACTUATOR TYPE	ACTUATION PUSH	NOTE	B	A	No OF POSITION	TE DESCRIPTIVE PART NUMBER	TE PART NUMBER
			3					
			2					

THIS DRAWING IS A CONTROLLED DOCUMENT.

DIMENSIONS: mm[INCHES]

TOLERANCES UNLESS OTHERWISE SPECIFIED:

0 PLC	± -
1 PLC	± -
2 PLC	± 0.20[.008]
3 PLC	± -
4 PLC	± -
ANGLES	± -

MATERIAL: -

FINISH: -

12MAY2017 SHIVAKUMAR S S

12MAY2017 ALEXANDER SHARPE

12MAY2017 ALEXANDER SHARPE

12MAY2017 ALEXANDER SHARPE

PRODUCT SPEC

APPLICATION SPEC

WEIGHT

CUSTOMER DRAWING

TE TE Connectivity

PIANO DIP SWITCH END STACKABLE

SIZE: A2 CAGE CODE: 00779 DRAWING NO: C-2319764

RESTRICTED TO: -

SCALE: 1:1 SHEET: 3 OF 4 REV: A

REVISIONS					
P	LTR	DESCRIPTION	DATE	DWN	APVD
-	-	SEE SHEET 1	-	-	-

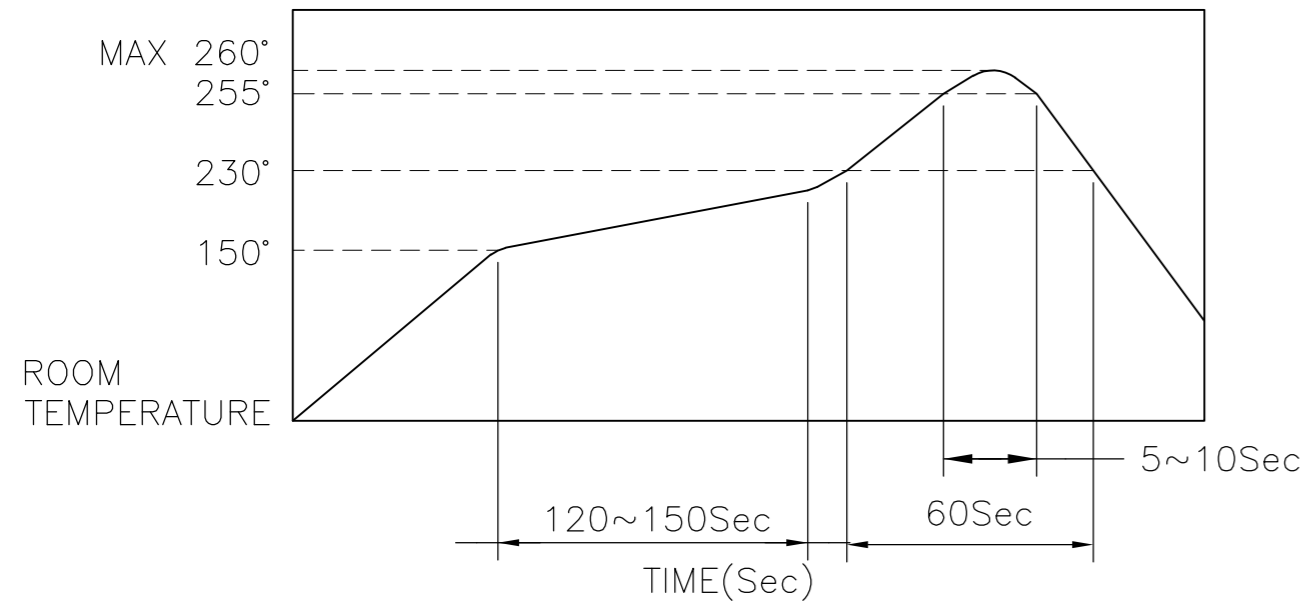
SOLDERING CONDITIONS:

THE CONDITIONS MENTIONED BELOW IS THE TEMPERATURE ON THE CU FOIL OF THE P.C.B SURFACE. DO NOT ALLOW THE SWITCH'S SURFACE TEMPERATURE TO EXCEED 260°C.

MANUAL SOLDERING

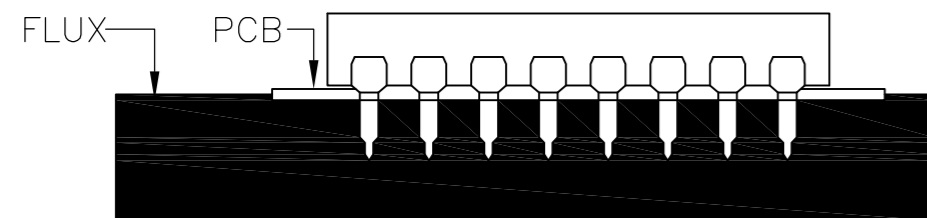
SOLDERING TEMPERATURE	MAX. 350°C.
CONTINUOUS SOLDERING TIME	MAX. 5 SECONDS.

REFLOW SOLDERING



HANDLING PRECAUTIONS

- CARE SHOULD BE EXERCISED SO THAT FLUX FROM THE UPPER PART OF THE PRINTED CIRCUIT BOARD DOES NOT ADHERE TO THE SWITCH.
- DON'T CLEAN THE SWITCH BODY EXCEPT WITH TOP TAPE SEALED TYPE, WHICH CAN ONLY SPRAY OF CLEANING METHOD FROM TOP OF S/W.
- ENSURE FLUX DOES NOT RISE ABOVE THE TOP SURFACE OF THE PCB.



SPECIFICATIONS:

MATERIALS:

BASE: PA (HIGH-TEMP. NYLON) UL94V-0
 COVER: PA (HIGH-TEMP. NYLON) UL94V-0
 ACTUATOR: LCP UL94V-0
 CONTACT: COPPER ALLOY, GOLD (in contact area)
 OVER NICKEL PLATE
 TERMINAL: BRASS ALLOY, GOLD PLATE
 TAPE: POLYAMIDE.

ELECTRICAL:

CONTACT RATING: NON-SWITCHING 100mA @ 50 VDC.
 SWITCHING: 25mA @ 24 VDC.
 INITIAL CONTACT RESISTANCE: 100mΩ MAX. @ 2 VDC. 10mA.
 INSULATION RESISTANCE: 100 MEGOHMS MIN. @ 500 VDC,
 1 MINUTE +/- 5 SECONDS.
 DIELECTRIC STRENGTH: 100 VAC (50 OR 60 HZ), 1 MINUTE.
 DURABILITY: 2,000 CYCLES.
 CAPACITANCE: 5 pF MAX @ 1 MHz +/- 10 KHz.

MECHANICAL:

OPERATING FORCE: 800gf MAX.

ENVIRONMENTAL:

OPERATING TEMPERATURE: -20°C TO +85°C.
 STORAGE TEMPERATURE: -40°C TO +85°C.
 SOLDER HEAT RESISTANCE PER 109-201, CONDITION B.
 SOLDERABILITY PER JIS C 0050 & JIS C 0053.

NOTES:

- ALL MATERIALS AND FINISHES SHALL COMPLY WITH EU DIRECTIVE 2002/95/EC OF 27 JAN 2003 (ROHS).



TUBE PACKAGING.



TAPE AND REEL PACKAGING.

TAPE	ACTUATOR TYPE	ACTUATION PUSH	NOTE	B	A	No OF POSITION	TE DESCRIPTIVE PART NUMBER	TE PART NUMBER
YES	SHORT	UP ON	3	22.86	25.30	10	EDSP10SGRFSTR04	6-2319764-0
				[.900]	[.996]			
				17.78	20.22	08	EDSP08SGRFSTR04	5-2319764-9
				[.700]	[.796]			
				12.70	15.14	06	EDSP06SGRFSTR04	5-2319764-8
				[.500]	[.596]			
		7.62		10.06	04	EDSP04SGRFSTR04	5-2319764-7	
		[.300]		[.396]				
		2.54		4.98	02	EDSP02SGRFSTR04	5-2319764-6	
		[.100]		[.196]				
		22.86		25.30	10	EDSP10SGRNSTR04	5-2319764-5	
		[.900]		[.996]				
17.78	20.22	08	EDSP08SGRNSTR04	5-2319764-4				
[.700]	[.796]							
12.70	15.14	06	EDSP06SGRNSTR04	5-2319764-3				
[.500]	[.596]							

THIS DRAWING IS A CONTROLLED DOCUMENT. DWN 12MAY2017 SHIVAKUMAR S S
 CHK 12MAY2017 ALEXANDER SHARPE
 APVD 12MAY2017 ALEXANDER SHARPE

TE TE Connectivity

PIANO DIP SWITCH END STACKABLE

SIZE: A2 CAGE CODE: 00779 DRAWING NO: 2319764 RESTRICTED TO: -
 SCALE: 1:1 SHEET: 4 OF 4 REV: A

CUSTOMER DRAWING