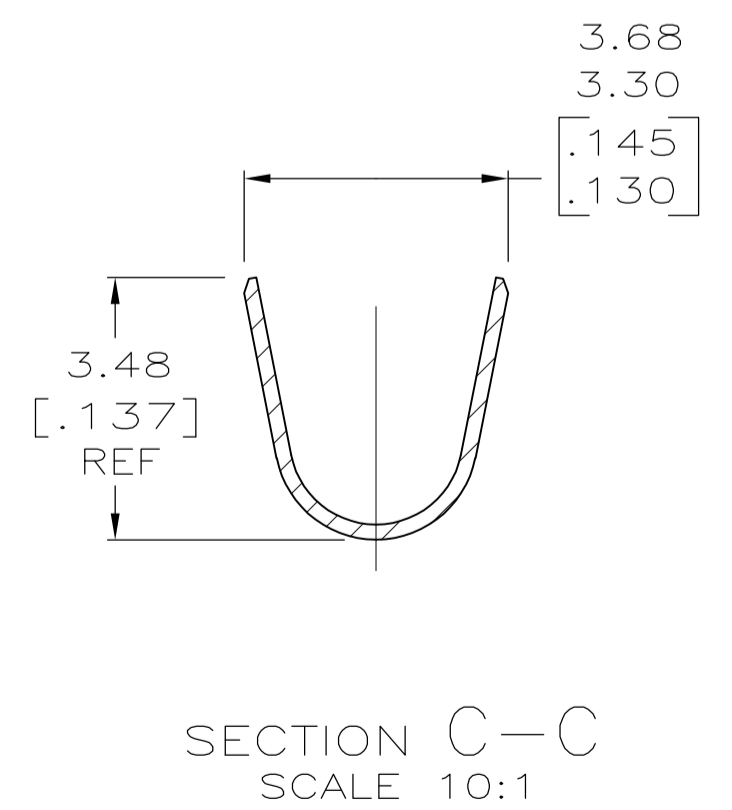
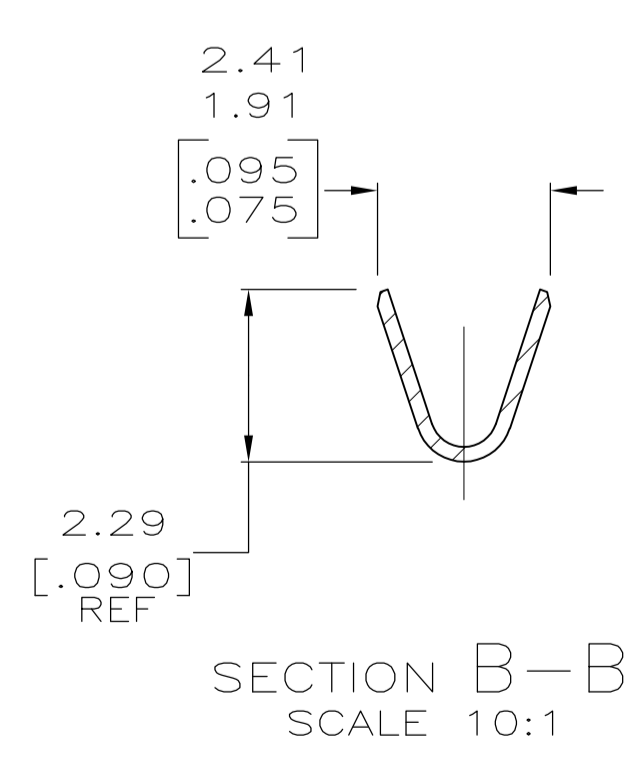
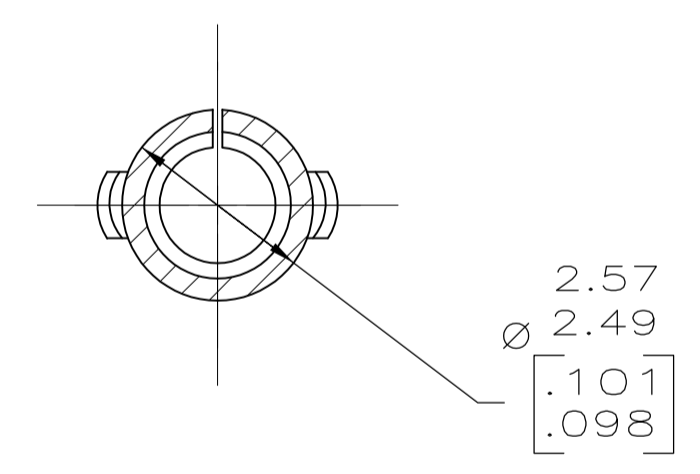
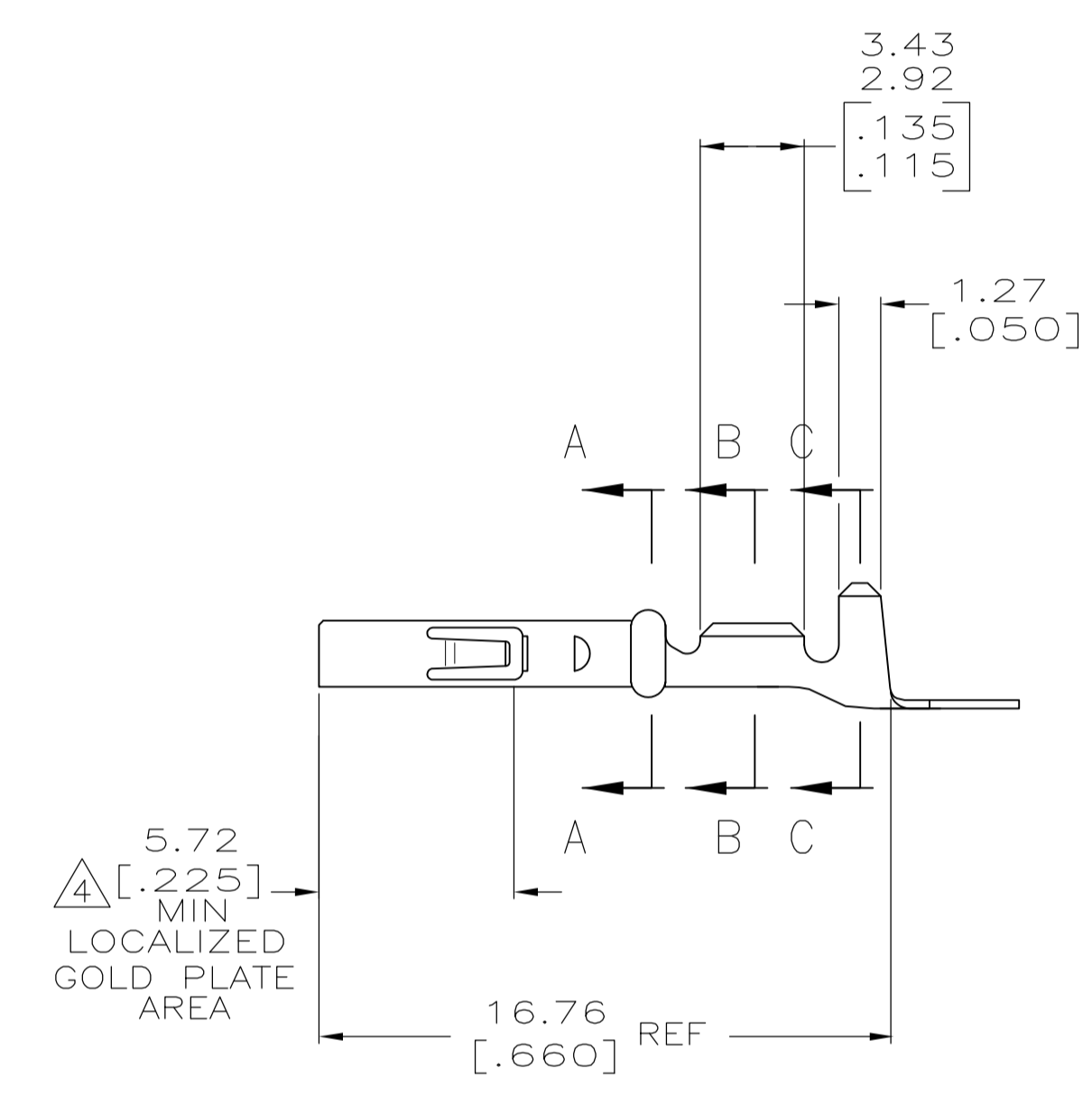
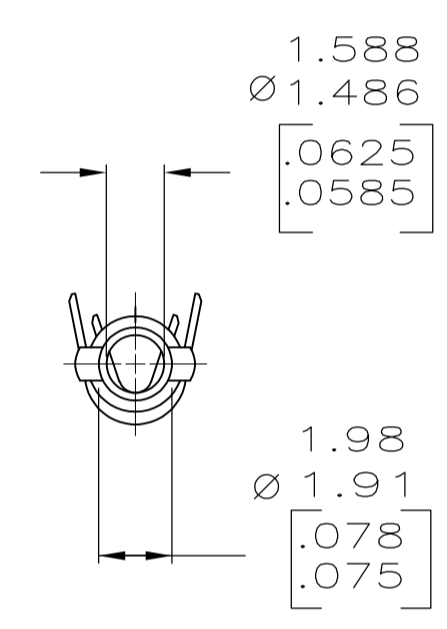
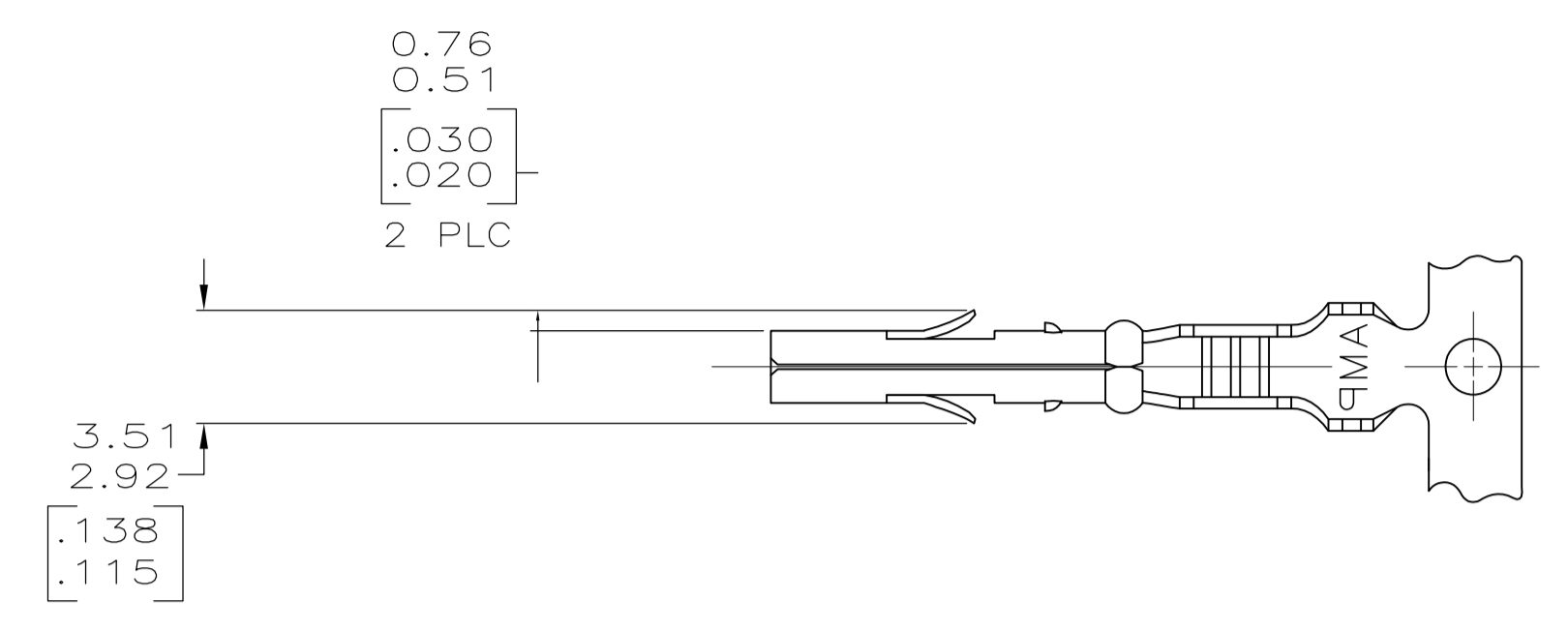


LOC		DIST		REVISIONS			
P	LTR	DESCRIPTION	DATE	DMN	APVD		
E2		REVISED PER ECO-11-004820	11MAR11	RK	HMR		

- 1 WIRE RANGE: 0.12-0.9mm<sup>2</sup> (26-18 AWG).
- 2 INSULATION RANGE: 1.27-2.92 [.050-.115] MAX. DIA.
- 3 DIMENSIONS IN BRACKETS ARE IN INCHES.
- 4 PLATE INTERNALLY WITH 0.00076 [.000030] MIN GOLD IN THE LOCALIZED GOLD PLATE AREA, GOLD FLASH ON THE REMAINDER, OVER 0.00127 [.000050] MIN NICKEL UNDERPLATE.



	GOLD STRIPE	0.20 [.008] PHOS BRZ	641294-2
	PRE-TIN	0.20 [.008] PHOS BRZ	641294-1
	FINISH	MATERIAL	PART NO

THIS DRAWING IS A CONTROLLED DOCUMENT.		DIN 9-28-94		K. SALMON	
DIMENSIONS: mm [INCHES]		TOLERANCES UNLESS OTHERWISE SPECIFIED:		CHK R. SWING 9-28-94	
0 PLC ± -		1 PLC ± -		APVD -	
2 PLC ± -		3 PLC ± 0.13 [.005]		NAME MR RECEPTACLE	
4 PLC ± -		ANGLES ± -		PRODUCT SPEC -	
MATERIAL SEE TABLE		FINISH SEE TABLE		APPLICATION SPEC -	
WEIGHT -		SIZE A1		CAGE CODE 00779	
CUSTOMER DRAWING		DRAWING NO 641294		RESTRICTED TO -	
SCALE 5:1		SHEET 1 OF 1		REV E2	

METRIC