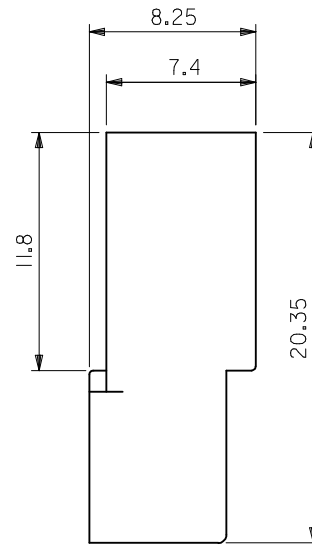
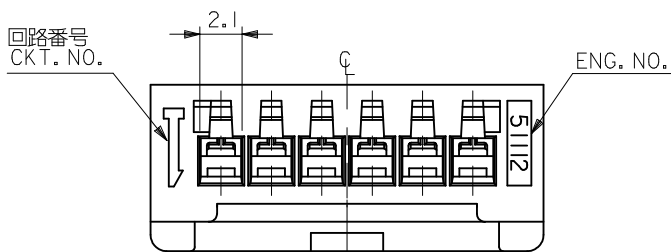
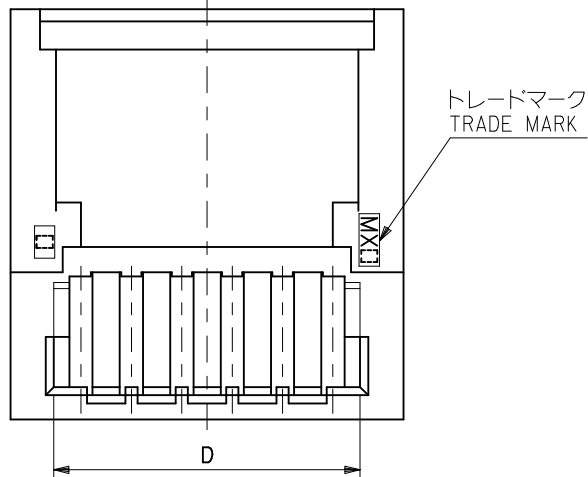


ターミナル及びリテーナー装着状態図
TERMINAL & RETAINER ASSEMBLY DRAWING



注記 NOTES

- △ 適合ターミナル：50398シリーズ
APPLICABLE TERMINAL：50398 SERIES
- 2. 嵌合相手：51111シリーズ
MATE WITH：51111 SERIES
- △ 偶数極の製品に適用。
APPLY EVEN CIRCUIT PRODUCTS.
- △ 適合リテーナー：51113シリーズ
APPLICABLE RETAINER：51113 SERIES



材料 MATERIAL PBTP, UL94V-0 (白色 WHITE)

37.45	42	40.4	35	51112-1500	15
29.95	34.5	32.9	27.5	↑ -1200	12
22.45	27	25.4	20	-0900	9
19.95	24.5	22.9	17.5	-0800	8
17.45	22	20.4	15	-0700	7
14.95	19.5	17.9	12.5	-0600	6
12.45	17	15.4	10	-0500	5
9.95	14.5	12.9	7.5	-0400	4
7.45	12	10.4	5	↓ -0300	3
4.95	9.5	7.9	2.5	51112-0200	2
D	C	B	A	ENG. NO.	NO. OF CKT.

REVISED EC NO: J2009-1394 DRWN: YOSHIDAM 2008/12/18 CHKD: THARUYAMA 2008/12/18 APPR: NUKITA 2009/01/15	GENERAL TOLERANCES (UNLESS SPECIFIED)		DIMENSION STYLE MM ONLY	SCALE 4:1	DESIGN UNITS METRIC	THIRD ANGLE PROJECTION
	10 UNDER	±0.2	DRAWN BY K. TOJO	DATE '94/02/02	TITLE 2.5 W/W CONN PLUG HSG WITH RETAINER	
	10 OVER 30 UNDER	±0.25	CHECKED BY S. KUNISHI	DATE '94/06/22	MOLEX INCORPORATED	
	30 OVER	±0.3	APPROVED BY M. FUKUSHIMA	DATE '94/06/22	DOCUMENT NO. SD-5112-003	SHEET NO. 1 OF 1
REV	DESCRIPTION	ANGULAR ±3 ° DRAFT WHERE APPLICABLE MUST REMAIN WITHIN DIMENSIONS	SIZE A3	THIS DRAWING CONTAINS INFORMATION THAT IS PROPRIETARY TO MOLEX INCORPORATED AND SHOULD NOT BE USED WITHOUT WRITTEN PERMISSION		