

TAMURA Corporation of America

Model

PAM150

150 Watts_{max} output power

Power Factor Correction

Single Output

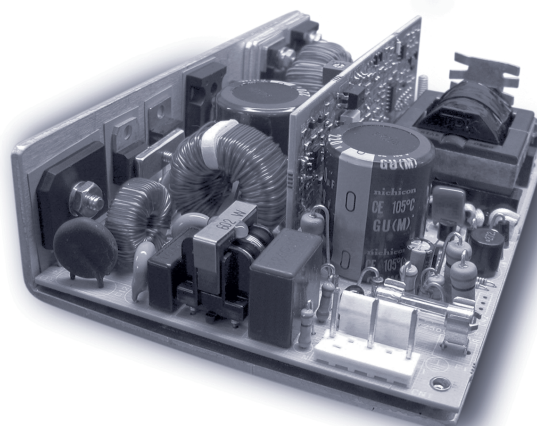
Switch Mode Power Supply



Medical Grade
Certifications

H.A.L.T.
TESTED

Highly
Accelerated
Life
Testing



Electrical Specifications

Input Voltage:	85-132/180-264 VAC, 47-63 Hz, 1 phase
Input Current:	<3.2A RMS @ 115 VAC @ full load <1.6A RMS @ 230 VAC @ full load
Inrush Current:	<25A, pk @ 132 VAC @ cold start <50A, pk @ 265 VAC @ cold start
Power Factor:	Meets Class A requirements
Harmonic Distortion:	Meets EN61000-3-2 for Class A
EMI Filtering:	Meets CISPR 11 and 22 and FCC Part 15 Class B (conducted)
Input Protection:	Internal AC line fuse; 250 VAC, 6.3A
Surge Withstand:	Meets EN61000-4-5 Level 3
Output Power:	150W with 15CFM air; 80W Convection
Line Regulation:	± 0.3%
Load Regulation:	± 0.5%
PARD:	<1% or 50mV; 20MHz bandwidth
Hold-up Time:	20 ms @ full load (120 VAC)
Output Polarity:	Output is floating
Minimum Load:	0% of rated load
Transient Response:	3% for 25% load change @ 1A/μs; 50% duty cycle 50/60 Hz
Output Rise Time:	<100 ms (10% to 90%)
Current Limit:	105-130% of rated current; Hiccup
Remote Sense:	Compensates for up to 250mV of total cable drop
Remote On/Off:	Optional
Leakage Current:	< 300 μA

Thermal Shutdown	Standard
DC OK:	Standard; Open Collector
Turn-on Delay:	<1 second after application of AC Input
Stability:	<0.1% for 8 hours after 1/2-hour warm up
Isolation:	>20 MΩ @ 100 VDC between output terminals and chassis ground
AC Power Fail:	TTL _{LOW} logic "0" at least 2 ms before output drops 5%; Open Collector
Oversvoltage Protect:	Factory set, 125% ±5%, cycle AC to reset
Reverse Voltage:	Output has reverse voltage protection; Reverse current limited to 100% of output rating
Efficiency:	Up to 85%
MTBF:	MIL-STD-HDBK 217E >200,000 hours @ 25°C Highly Accelerated Life Testing

Available Voltage Outputs*

Voltage Codes	Voltages (Volts)	Continuous Current (Amps)
-2	3.3	30
-3	5.0	30
-4	12.0	12.5
-5	15.0	10.5
-6	24.0	6.5
-7	28.0	5.5
-8	36.0	4.5
-9	48.0	3.5

* Consult factory for other voltages and OEM quantities.

Note: Standard models are shown **bold**

PART # STRUCTURE:

MODEL - **VOLTAGE CODE** - **OPTION CODES** (See back)
 - **V1** -
PAM150 - **X** - **ABC...**

Example: Part Number **PAM150-6-CK= 150W Power Factor Corrected, 24V @ 6.5A with a fan assembly and a Molex connector.**

CLICK HERE TO SEE THE PAM150 CODE TABLE AND AVAILABLE OPTIONS.

Model

PAM150

Options (code)

12V@0.5A Aux./Fan Drive (A) Droop Current Share $\pm 10\%$ (B)
 Fan Assembly (C) DC OK Invert (E)
 PF Invert (F) Field-Configurable (G)
 Single Wire Current Share $\pm 5\%$ (I) Square Current Limit (J)
 Molex Connector (K) Metric Mounting (M)
 OR-ing Diode (O) Remote On/Off (R)
 Remote On/Off Invert (S)

Certifications

NRTL*** Recognition to UL60601-1
 CSA C22.2 No. 601.1
 BAUART Certification to EN60601-1
 CB Test Report in Accordance with IEC60601-1
 CE Declaration to Low Voltage Directive 2006/95/EC

*** Nationally Recognized Test Laboratory

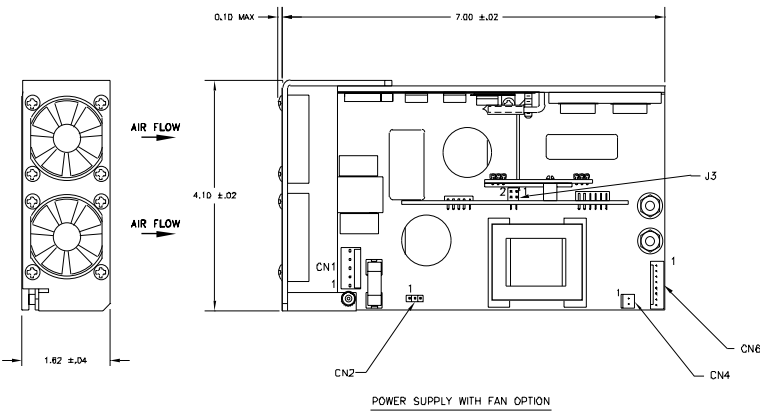
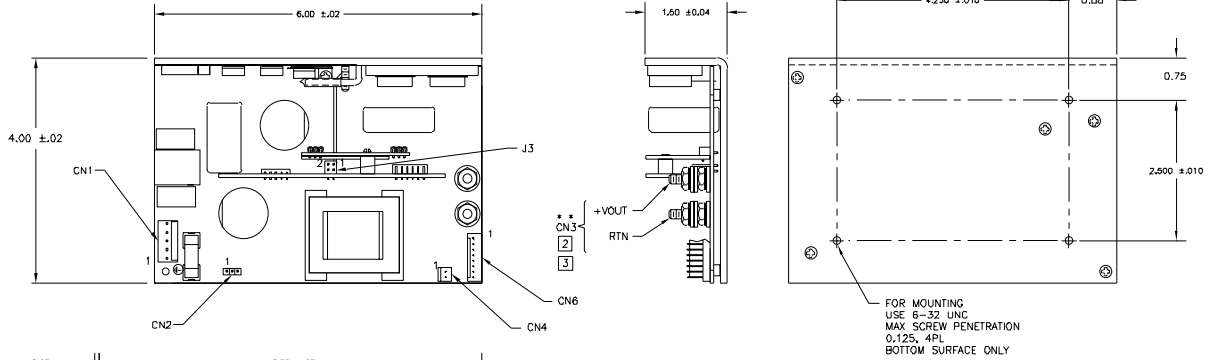


Compliance

EN61000-4-5 Level 3 EN61000-4-2 Level 2
 EN61000-3-2 for Class A EN61000-4-2 Level 3 (Air Only)
 EN61000-4-4 Level 3 EN61000-4-11
 CISPR 11 and 22 FCC Part 15 Class B (conducted)

Physical Specifications

Dimensions: (HxWxL) 1.5" x 4.0" x 6"
 Operating Temp: 0 to 70°C; rated power to 50°C
 derate linearly to 50% at 70°C.
 Relative Humidity: 5% to 90%, non-condensing
 Storage: -50 to 85°C/20-90% RH
 Altitude: 6531
 40,000' storage



PIN NO.	CN1
1	GROUND
2	"PIN REMOVED"
3	NEUTRAL
4	"PIN REMOVED"
5	LINE

MOLEX CONNECTOR
 26-60-4050
 MATES WITH 2139

PIN NO.	CN3
1	+VOUT
2	RTN

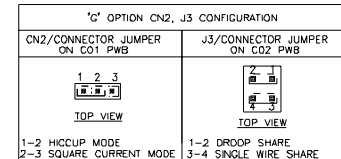
#8 SCREW
 OR
 MOLEX CONNECTOR
 26-62-4030
 CENTER PIN REMOVED
 MATES WITH 2139

PIN NO.	CN4
1	AUX OUT
2	AUX RTN

MOLEX CONNECTOR
 22-23-2021
 MATES WITH 2695

PIN NO.	CN6
1	CURRENT SHARE
2	POWER FAIL
3	REMOTE ON/OFF
4	REM ON/OFF RTN
5	DC OK
6	RTN
7	-REMOTE SENSE
8	+REMOTE SENSE

MOLEX CONNECTOR
 22-23-20B1
 MATES WITH 2695



UNIT WEIGHT	
1.5 LBS (WITHOUT FAN OPTION)	
1.6 LBS (WITH INSTALLED FAN OPTION)	

- 3 OPTIONAL- MOLEX CONNECTOR (OPTION 'K'-LIMITED TO 7A) MAY BE SPECIFIED FOR CN3 INSTEAD OF STANDARD OUTPUT STUDS.
 2 DO NOT EXCEED 17 INCH-LBS (MAX TORQUE) WHEN TIGHTENING TOP NUTS ON OUTPUT STUDS.
 1. FOR CLARITY NOT ALL ITEMS ARE SHOWN IN EACH VIEW.
 NOTES: UNLESS OTHERWISE SPECIFIED

- * WARNING: DAMAGE WILL OCCUR IF REMOTE SENSE LEADS (CN6-7 & CN6-8) ARE REVERSED OR USED WITH LOAD DISCONNECTED FROM OUTPUT (CN5).
 ** NOTE: FOR PROPER REGULATION OF AUX OUTPUT, APPLY AT LEAST 10% OF RATED LOAD TO VOUT.

© Copyright 2011 TAMURA CORPORATION OF AMERICA. Specifications subject to change without notice.



TAMURA CORPORATION OF AMERICA
 1040 South Andreasen Drive, STE. 100 Escondido, CA 92029-1951
 (951) 699-1270 / Fax: (951) 676-9482
 (800) 472-6624 www.tamuracorp.com

