

NOTES: UNLESS OTHERWISE SPECIFIED.

1. MATERIAL & FINISH:

- 1.1 BODY: (133-9303-001) GOLD PLATED COPPER ALLOY  
(133-9303-004) SILVER PLATED COPPER ALLOY
- 1.2 CRIMP SLEEVE: (133-9303-001) GOLD PLATED COPPER  
(133-9303-004) SILVER PLATED COPPER
- 1.3 INSULATOR: PTFE (TEFLON)
- 1.4 CENTER CONTACT:  
(133-9303-001) GOLD PLATED BERYLLIUM COPPER  
(133-9303-004) SILVER PLATED BERYLLIUM COPPER

2. ELECTRICAL SPECIFICATIONS:

- 2.1 IMPEDANCE: 50 OHMS
- 2.2 FREQUENCY RANGE: 0 - 6 GHz
- 2.3 VSWR: 1.13+.04F MAX (F IN GHz)
- 2.4 WORKING VOLTAGE: 335 VRMS MAX AT SEA LEVEL
- 2.5 DIELECTRIC WITHSTANDING VOLTAGE: 1000 VRMS MIN AT SEA LEVEL
- 2.6 INSULATION RESISTANCE: 1000 MEGOHM MIN
- 2.7 CONTACT RESISTANCE:  
CENTER CONTACT - INITIAL 5 MILLIOHM MAX, AFTER ENVIRONMENTAL 8 MILLIOHM MAX  
OUTER CONDUCTOR - INITIAL 1 MILLIOHM MAX, AFTER ENVIRONMENTAL 1.5 MILLIOHM MAX  
BODY TO CABLE - INITIAL 1 MILLIOHM MAX, AFTER ENVIRONMENTAL NOT APPLICABLE
- 2.8 CORONA LEVEL: 250 VOLTS MIN AT 70,000 FEET
- 2.9 INSERTION LOSS: .1 dB MAX AT 1 GHz
- 2.10 RF LEAKAGE: -55 dB AT 2.5 GHz
- 2.11 RF HIGH POTENTIAL WITHSTANDING VOLTAGE: 700 VRMS AT 4 AND 7 MHz

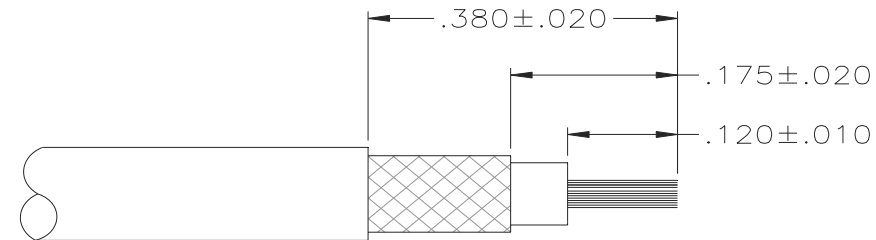
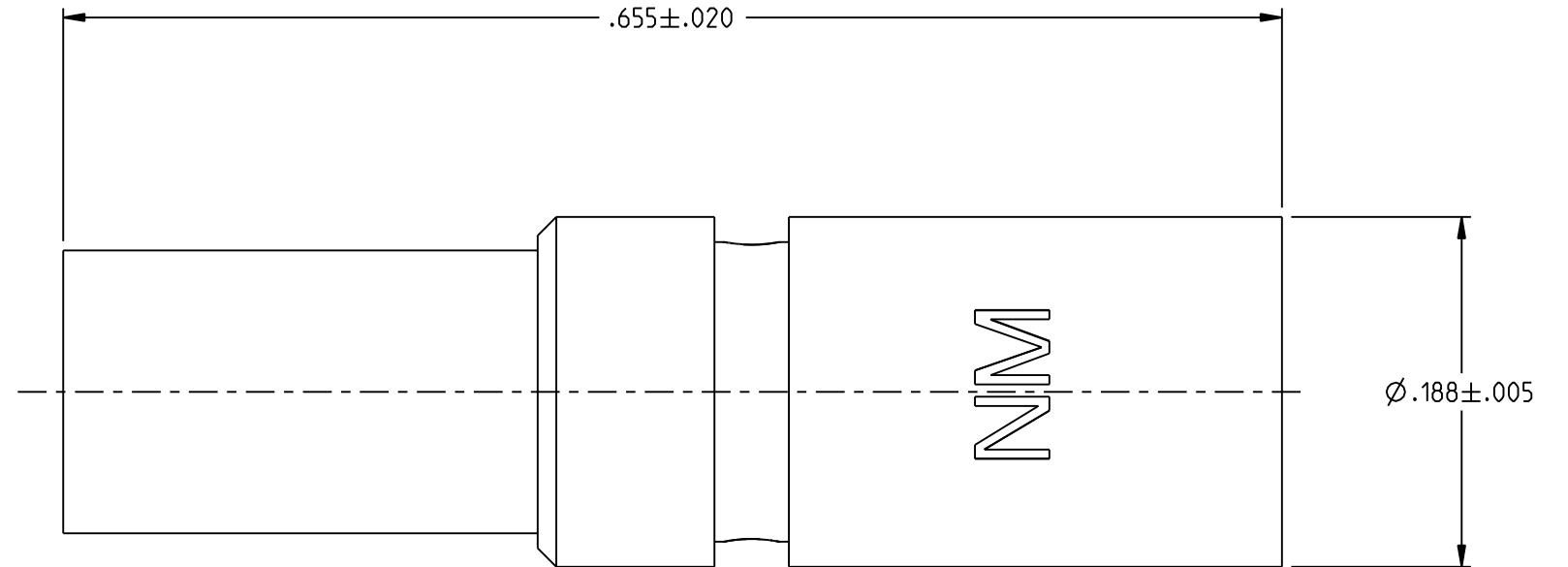
3. MECHANICAL SPECIFICATIONS:

- 3.1 ENGAGE/DISENGAGE FORCE: 5.6 LBS MAX ENGAGEMENT  
1.0/8.0 LBS MIN/MAX DISENGAGEMENT
- 3.2 CONTACT RETENTION FORCE: 2.3 LBS MIN
- 3.3 CABLE ACCEPTABILITY: RG 188/U, RG 316/U, RG 161/U, RG 174/U  
RG 179/U, RG 187/U
- 3.4 CABLE HEX CRIMP SIZE: .128
- 3.5 CABEL RETENTION: 20 LBS MIN AXIAL FORCE
- 3.6 DURABILITY: 500 CYCLES MIN

4. ENVIRONMENTAL:

- 4.1 (MEETS OR EXCEEDS THE APPLICABLE PARAGRAPH OF MIL-PRF-39012)
- 4.2 THERMAL SHOCK: MIL-STD-202, METHOD 107, CONDITION F
- 4.3 OPERATING TEMPERATURE: -65 DEG C TO 165 DEG C
- 4.4 CORROSION: MIL-STD-202, METHOD 101, CONDITION B
- 4.5 SHOCK: MIL-STD-202, METHOD 213, CONDITION B
- 4.6 VIBRATION: MIL STD-202, METHOD 204 CONDITION B
- 4.7 MOISTURE : MIL STD-202, METHOD 106

5. CONNECTOR MARKED "NM" FOR NON-MAGNETIC.



CABLE STRIP DIMENSIONS

		<b>JOHNSON</b>	
		Title: JACK ASSEMBLY STRAIGHT CABLED, RG 316 NON-MAGNETIC, MCX	
<small>This PROPRIETARY Document is property of Cinch Connectivity Solutions. It is confidential in nature, non-transferable, and issued with the clear understanding that it is not to be traced or copied without permission and is returnable upon demand.</small>	RoHS2 <input checked="" type="checkbox"/> 2011/65/EU	Model No.	133-9303-001/010
	<small>UNLESS OTHERWISE SPECIFIED UNITS: INCH</small> .XX ±.02 .XXX ±.005 ANGLES ±2°	INTERPRET DRAWING IN ACCORDANCE WITH ASME Y14.5-2009.	Size B DO NOT SCALE DRAWING