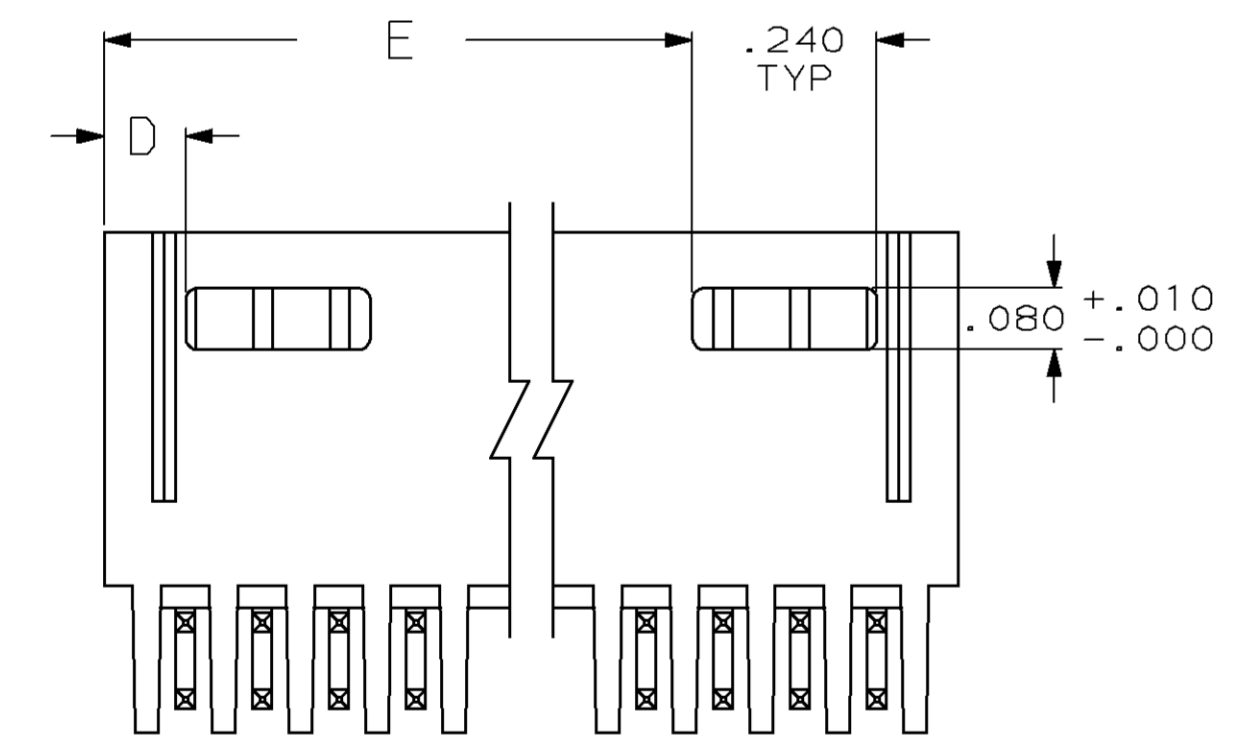
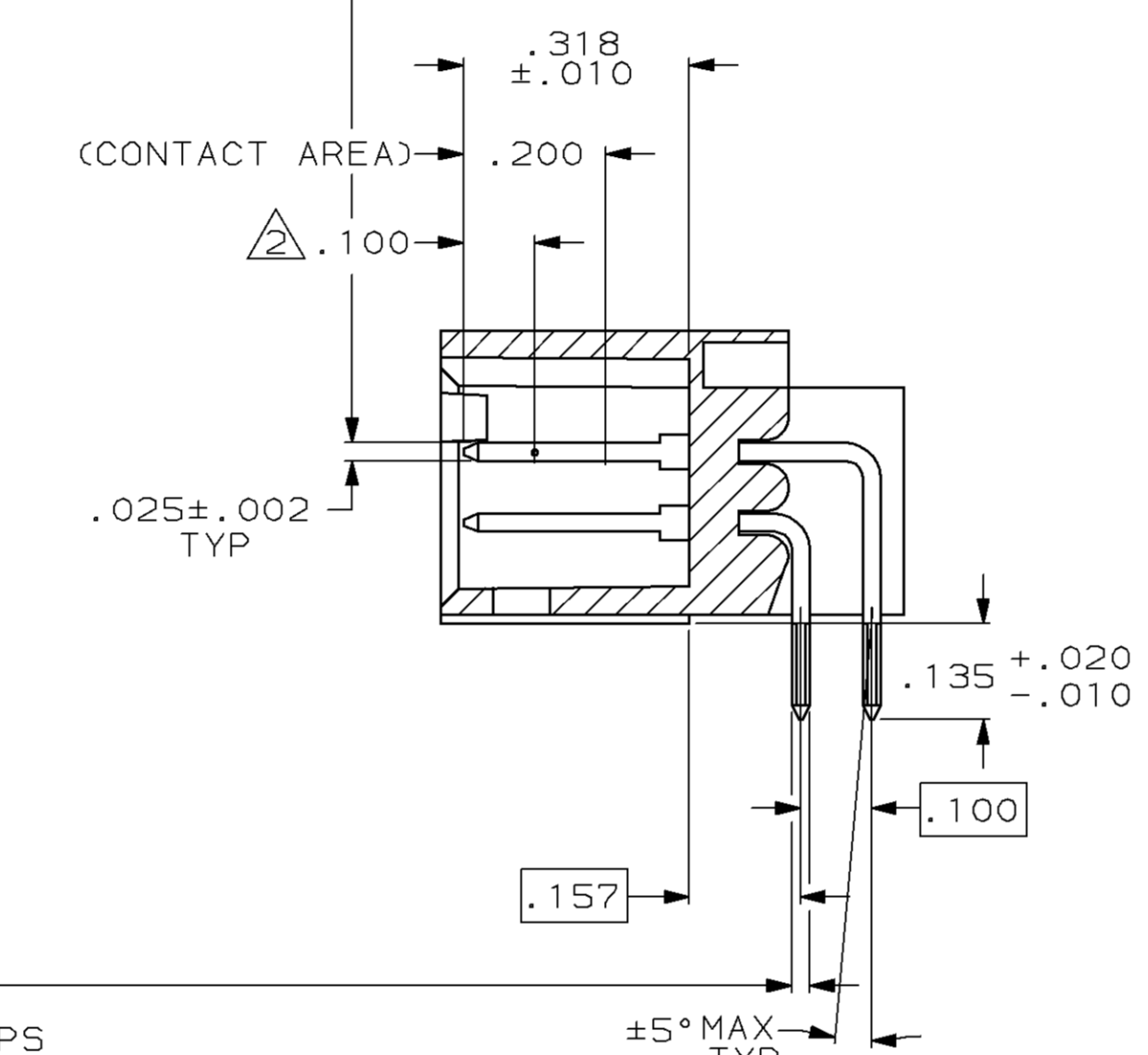
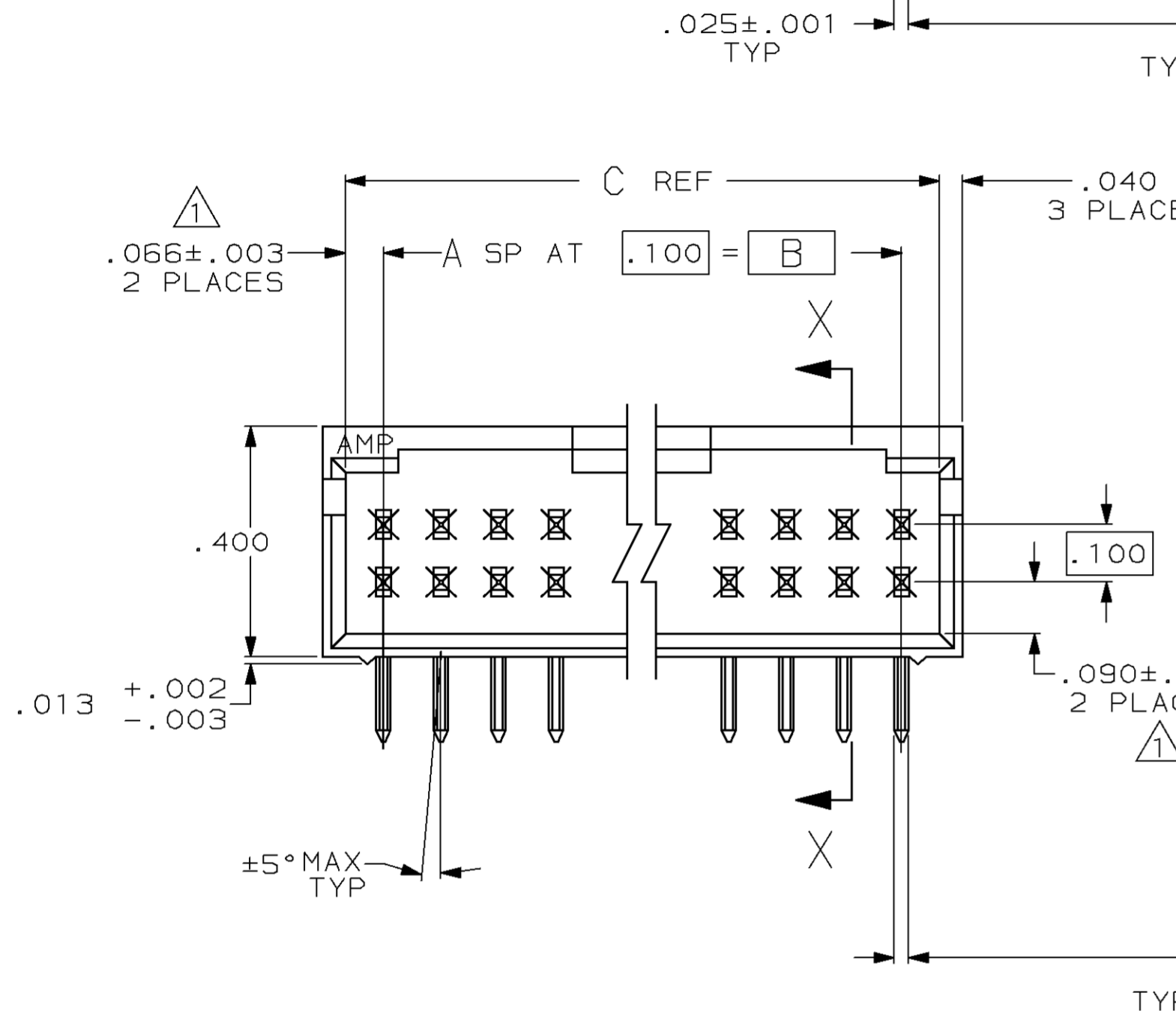
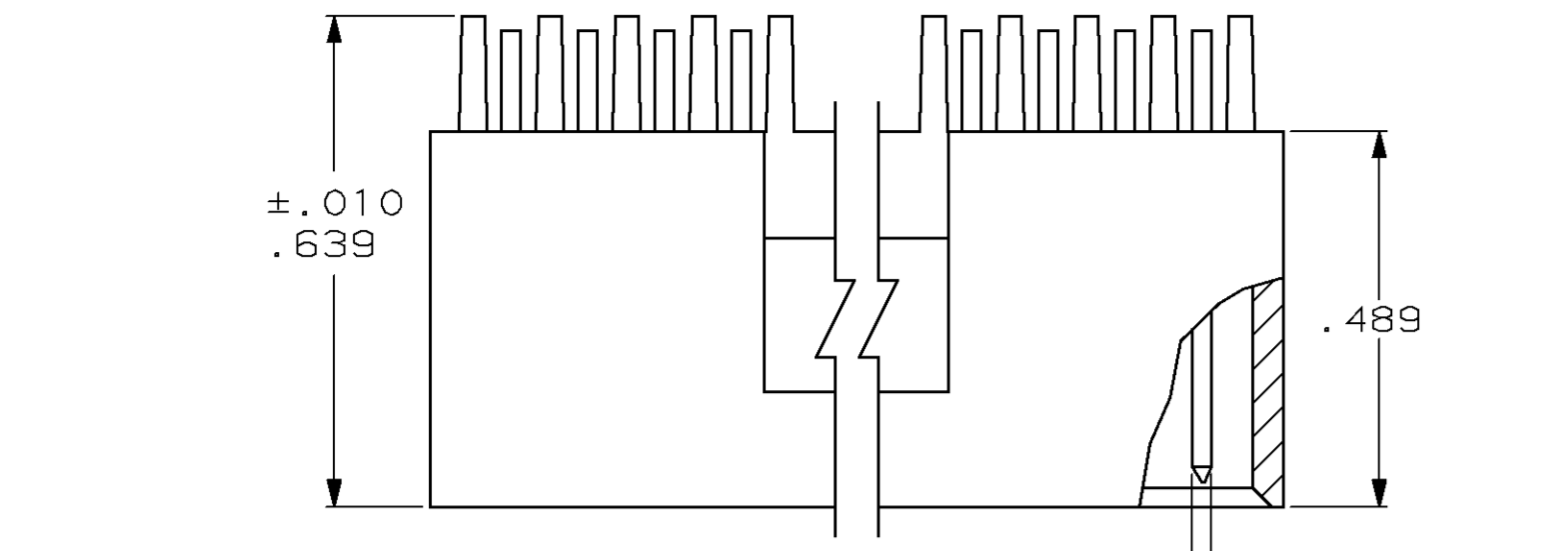


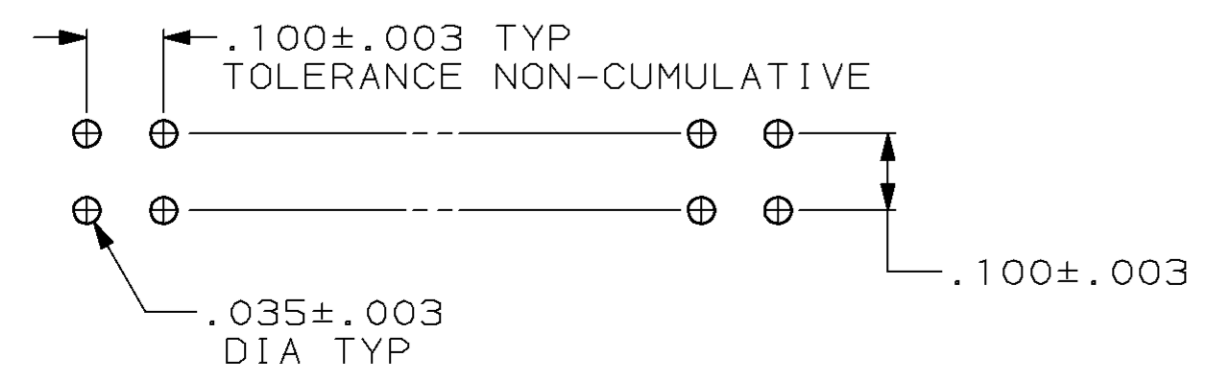
DRAWING MADE IN THIRD ANGLE PROJECTION
 THIS DRAWING IS UNPUBLISHED. RELEASED FOR PUBLICATION
 © COPYRIGHT 19 BY AMP INCORPORATED, HARRISBURG, PA. ALL INTERNATIONAL RIGHTS RESERVED. AMP PRODUCTS MAY BE COVERED BY U.S. AND FOREIGN PATENTS AND/OR PATENTS PENDING.

- ① THE NOTED DIMENSIONS APPLY AT THE INTERSECTION OF THE POST AND HOUSING
- ② POINT OF MEASUREMENT FOR PLATING THICKNESS
- ③ PACKAGED IN SINGLE TUBES

MOD		LOC		DIST		REV		REVISIONS		DATE	APPD
25	AD	39	P	F	ZONE	LTR	DESCRIPTION	DATE	APPD		
							A	REV & REDRAWN ECN 1610			
							B	REV PER AR-2217		BM	
							C	RV PER AR-2605		SH	7/89
							D	REV PER ECN AR2699			10-03-89 KIH
							E	REV LOC & DIST AD-4171			3-90 BF
							F	ECN AD-4707			08/02/90 KIH
							G	REV PER AD-5084			1-31-91
							H	REV PER 0310-0040-96			12-14-96 SAS
							J	REV PER 0310-0430-97			19JUN98 SAS



---	.106	.332	.200	2	6	3-103166-6
3.506	.106	3.732	3.600	36	74	3-103166-5
3.406	.106	3.632	3.500	35	72	3-103166-4
3.306	.106	3.532	3.400	34	70	3-103166-3
3.206	.106	3.432	3.300	33	68	3-103166-2
3.106	.106	3.332	3.200	32	66	3-103166-1
3.006	.106	3.232	3.100	31	64	3-103166-0
2.906	.106	3.132	3.000	30	62	2-103166-9
2.806	.106	3.032	2.900	29	60	2-103166-8
2.706	.106	2.932	2.800	28	58	2-103166-7
2.606	.106	2.832	2.700	27	56	2-103166-6
2.506	.106	2.732	2.600	26	54	2-103166-5
2.406	.106	2.632	2.500	25	52	2-103166-4
2.306	.106	2.532	2.400	24	50	2-103166-3
2.206	.106	2.432	2.300	23	48	2-103166-2
2.106	.106	2.332	2.200	22	46	2-103166-1
2.006	.106	2.232	2.100	21	44	2-103166-0
1.906	.106	2.132	2.000	20	42	1-103166-9
1.806	.106	2.032	1.900	19	40	1-103166-8
1.706	.106	1.932	1.800	18	38	1-103166-7
1.606	.106	1.832	1.700	17	36	1-103166-6
1.506	.106	1.732	1.600	16	34	1-103166-5
1.406	.106	1.632	1.500	15	32	1-103166-4
1.306	.106	1.532	1.400	14	30	1-103166-3
1.206	.106	1.432	1.300	13	28	1-103166-2
1.106	.106	1.332	1.200	12	26	1-103166-1
1.006	.106	1.232	1.100	11	24	1-103166-0
.906	.106	1.132	1.000	10	22	103166-9
.806	.106	1.032	.900	9	20	103166-8
---	.406	.932	.800	8	18	103166-7
---	.306	.832	.700	7	16	103166-6
---	.306	.732	.600	6	14	103166-5
---	.206	.632	.500	5	12	103166-4
---	.206	.532	.400	4	10	103166-3
---	.106	.432	.300	3	8	103166-2
---	.106	.332	.200	2	6	103166-1



UNLESS OTHERWISE SPECIFIED DIMENSIONS ARE IN INCHES TOLERANCES ON :		DR 7-27-87 H MOLL		AMP INCORPORATED Harrisburg, Pa. 17105
2 PL DEC ±-. 3 PL DEC ±.005 ANGLES ±-		CHK 7-29-87 L A MAYER		
MATERIAL: HOUSING: FLAME RETARDANT THERMOPLASTIC, COLOR-BLACK		APPD 7-28-87 R FEIDT		NAME HDR ASSY, MOD II, SHROUDED, 4 SIDES, DBL ROW, .100X.100¢, RIGHT ANGLE, W/ .025 SQ POSTS
POSTS: PHOS BRONZE FINISH: POSTS: .000030 GOLD IN CONTACT AREA, .000100-.000200 MATTE TIN- LEAD ON SOLDER TAIL, ALL OVER .000050 NICKEL		APPD 7-29-87 R ELICKER		SIZE D
APPLICATION SPEC		PRODUCT SPEC		FSCM NO 00779
WEIGHT		SCALE 4:1		DRAWING NO 103166
		SHEET 1 OF 1		