

High frequency ground wire choke, shrink hose



Description

- Ground wire chokes (ground line chokes)
- Wire leads

Standards

- EN 60938

Applications

- Separating the main earth line to periphery devices
- This type of chokes permits the building of a system free of ground wire loops

Weblinks

[pdf datasheet](#), [html-datasheet](#), [General Product Information](#), [Approvals](#), [CE declaration of conformity](#), [RoHS](#), [CHINA-RoHS](#), [REACH](#), [Distributor-Stock-Check](#), [Detailed request for product](#)

Technical Data

Rated Current	16 - 25A @ Ta 40 °C
Rated inductance	0.02 - 0.04mH, Tol. ±15%
Power Operating Frequency	> 5MHz
Terminal Type	Wire leads
Weight	17 - 51 g
Material: Housing	UL 94V-0
Sealing Compound	UL 94V-0

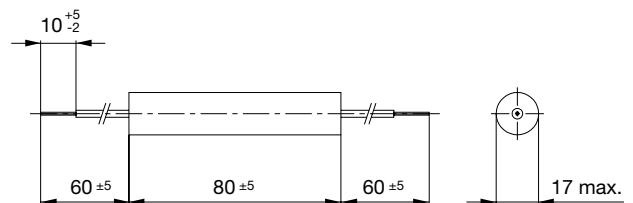
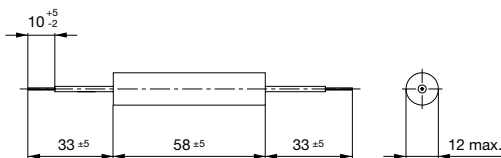
Isolation Voltage	2 kV eff., winding to ambient
Climatic Category	25/100/21 acc. to IEC 60068-1
Allowable Operation Temp.	-25 °C to 100 °C

Detailed information on product approvals, code requirements, usage instructions and detailed test conditions can be looked up in [General Product Information](#)

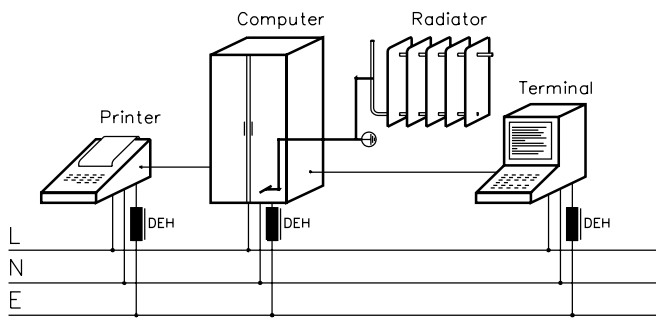
Dimension

16A

25A



Diagrams



Example of a perfect earth line system using a radiator and an ground line choke

All Variants

I_n [A]	L_n [mH]	R_{cu} [mΩ]	f_{RES} [MHz]	Weight [g]	Packing unit [pcs.]	Order Number
16	0.02	15	30	17 g	100	DEHL-10-0001
25	0.04	10	20	51 g	50	DEH-15-0001

Most Popular.

Availability for all products can be searched real-time:<http://www.schurter.com/en/Stock-Check/Stock-Check-SCHURTER>