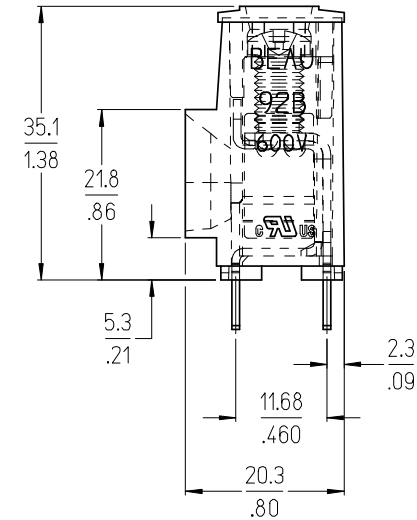
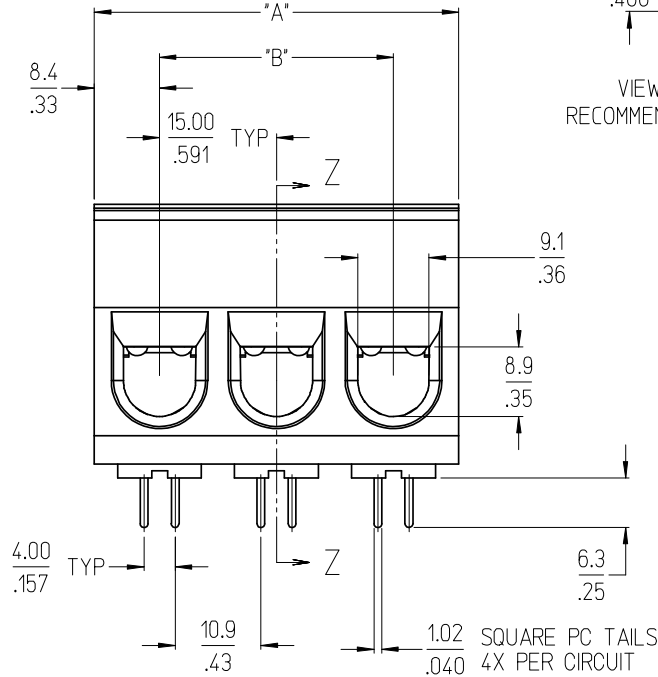
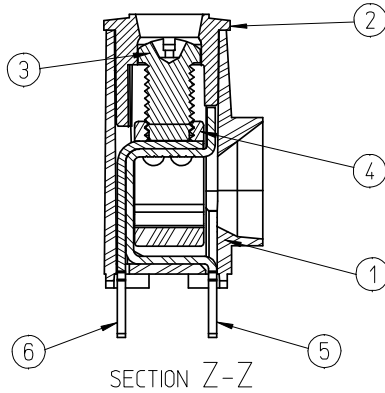
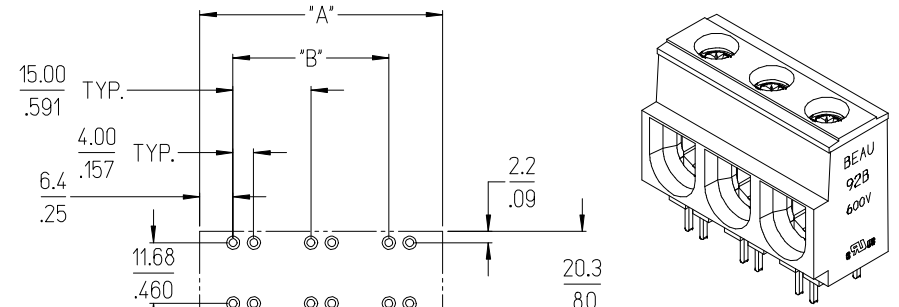
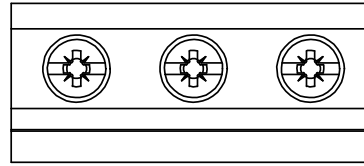


NO. OF CIRCUITS	DIM. "A"		DIM. "B"		ASSEMBLY MATERIAL NO.
	mm	in	mm	in	
02	31.8	1.25	15.00	.591	399200702
03	46.8	1.84	30.00	1.181	399200703
04	61.8	2.43	45.00	1.772	399200704
05	76.8	3.02	60.00	2.362	399200705
06	91.8	3.61	75.00	2.953	399200706
07	106.8	4.20	90.00	3.543	399200707
08	121.8	4.79	105.00	4.134	399200708
09	136.8	5.38	120.00	4.724	399200709
10	151.8	5.97	135.00	5.315	399200710
11	166.8	6.57	150.00	5.906	399200711
12	181.8	7.16	165.00	6.496	399200712



NOTES:

1. MATERIAL: SEE TABLE
2. FINISHES: SEE TABLE
3. "XX" REFERS TO THE QUANTITY OF CIRCUITS.
4. ASSEMBLY IS ROHS COMPLIANT BY EXEMPTION. COMPONENTS MARKED WITH AN ASTERISK (*) ARE ROHS COMPLIANT BY EXEMPTION, ALL OTHERS ARE ROHS COMPLIANT.

ITEM	QTY.	DESCRIPTION	MATERIAL	FINISH
6	"XX"	OUTER TERMINAL	COPPER	TIN PLATE
5	"XX"	INNER TERMINAL	COPPER	TIN PLATE
4	"XX"	CAGE (*)	BRASS	NICKEL PLATE
3	"XX"	SCREW, 1/4-28, POZI-SLOT, TIN/SS	ST. STEEL	TIN PLATE
2	1	COVER	PBT	BLACK
1	1	BODY	PBT	BLACK

INITIAL RELEASE
 EC NO: ETC2008-0077
 DRWN: CLYORK 2007/09/17
 CHKD: JMACNEIL 2007/09/18
 APPR: JMACNEIL 2007/09/18

QUALITY SYMBOLS
 ▼=0
 ▽=0

GENERAL TOLERANCES (UNLESS SPECIFIED)

	mm	INCH
4 PLACES	±---	±---
3 PLACES	±---	±.005
2 PLACES	±0.13	±.01
1 PLACE	±0.3	±---

ANGULAR ± 2 °

DRAFT WHERE APPLICABLE
 MUST REMAIN WITHIN DIMENSIONS

DIMENSION STYLE
 MM/IN

DRAWN BY: C. YORK
 DATE: 2007/09/12

CHECKED BY: J. MACNEIL
 DATE: 2007/09/12

APPROVED BY: J. MACNEIL
 DATE: 2007/09/12

MATERIAL NO.
SEE CHART

SCALE: 3:2
 DESIGN UNITS: INCH
 THIRD ANGLE PROJECTION

TITLE: 15.00/.591 SR BTS, PC, #1-#8 AWG ASST, 600V, 115A, SS SCREW

MOLEX INCORPORATED
 DOCUMENT NO. SD-39920-002
 SHEET NO. 1 OF 1

THIS DRAWING CONTAINS INFORMATION THAT IS PROPRIETARY TO MOLEX INCORPORATED AND SHOULD NOT BE USED WITHOUT WRITTEN PERMISSION