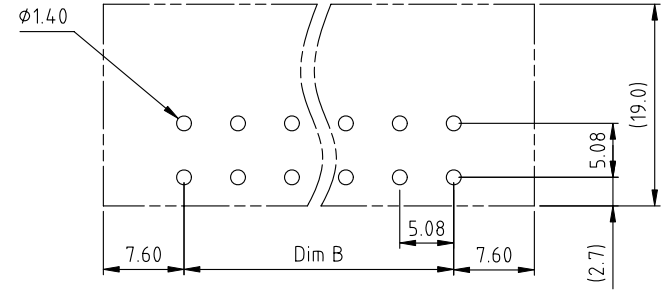
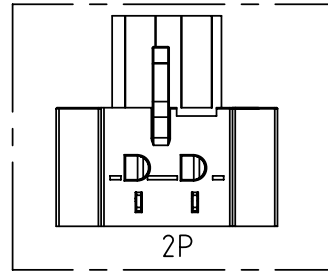
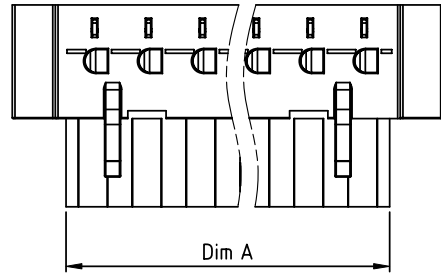
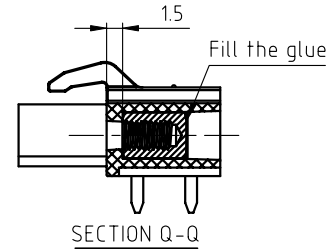
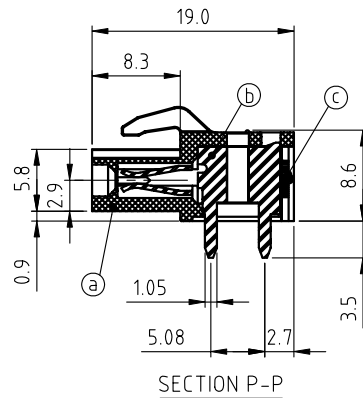
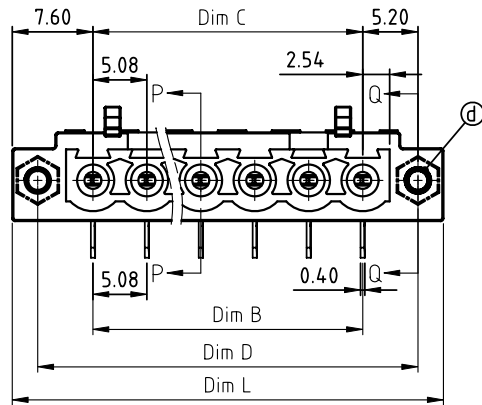


PRODUCT NUMBER	PITCH
V7xx52x100J0G	5.08 mm



RECOMMENDED P.C.B. LAYOUT  
TOP VIEW



Material:

- Item ① Terminal housing: Thermoplastic (UL94V-0)
- Item ② Female contact: High conductivity copper, Tin plated
- Item ③ Terminal cover: Thermoplastic (UL94V-0)
- Item ④ Flange Nut: Brass M2.5

Electrical cULus

- Voltage rating: 300VAC
- Current rating: 20A
- Withstanding Voltage: 1.6kv
- Operating temperature: -40°C to +115°C
- Soldering temperature: 260°C±5°C/5 Sec
- Safety Approval: us

N=Number of poles  
 Dim L=(N-1)×5.08+15.2  
 Dim A=N×5.08  
 Dim B=(N-1)×5.08  
 Dim C=(N-1)×5.08  
 Dim D=(N-1)×5.08+10.4

poles	Dim L	Dim A	Dim B	Dim C	Dim D
2-6p	±0.15	0	±0.15	±0.15	±0.15
7-12p	±0.20	-0.20	±0.20	±0.20	±0.20
13-18p	±0.30	0	±0.30	±0.30	±0.30
19-24p	±0.40	-0.40	±0.40	±0.40	±0.40

PART NO.: V7 xx 5 2 x 1 00J0 G

Solid block	No. of poles	Color	RoHS compliant (lead<4%) In copper Alloy
02	2poles	0 Black (RAL9005)	
03	3poles	2 Red (RAL3001/D)	
...	...	3 Orange(RAL2011/P)	
24	24poles	4 Yellow(RAL1018/A)	
		5 Green(RAL6018/T)	
		6 Blue (RAL5015/A)	
		8 Grey(RAL7035/D)	
		9 White(RAL1102)	
		C Green(RAL6018/U)	

mat'l. code		surface ASME Y14.5	tolerance ASME Y14.5	projection	product family
ltr	ecn no	dr	date		TERMINAL BLOCK
tolerances unless otherwise specified				MM	title
angles	0	0	0	MM	TERMINAL BLOCK
0	0	0	0	scale	PLUGGABLE PCB PLUG, WITH FLANGE, RIGHT ANGLE
X°±1°	X.X±0.3	X.XX±0.1		dr	EVIN ZHONG 043014
				enr	EVIN ZHONG 043014
				chr	HANKE FENG 043014
				appd	SHI JUN 043014
sheet index	revision	A			dwg no
sheet	1				V7xx52x100J0G
					sheet 1 of 1
					size
					A4
					type
					CUSTOMER Drawing