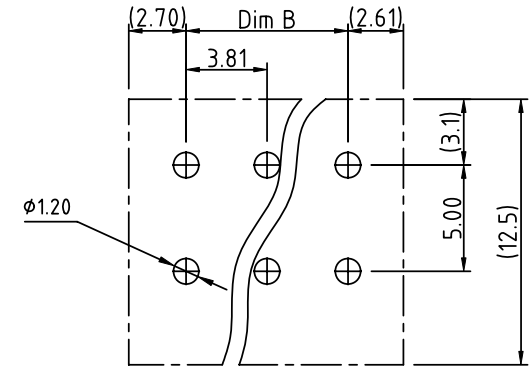
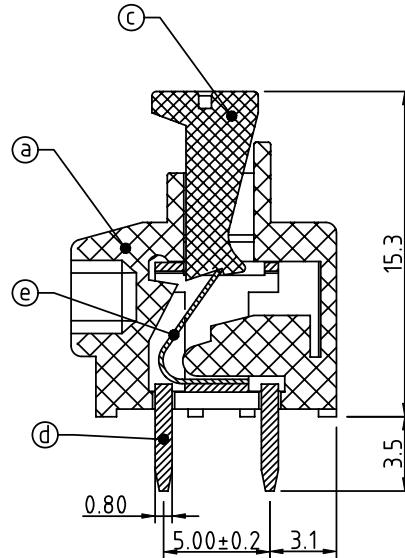
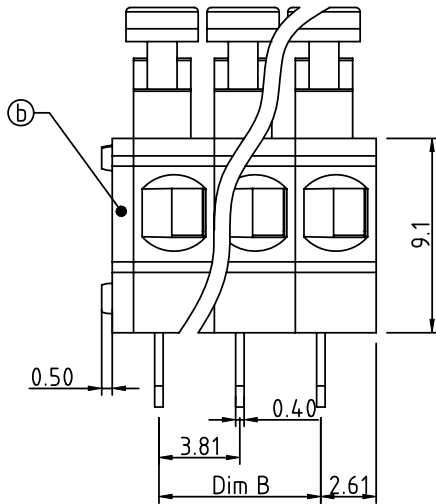
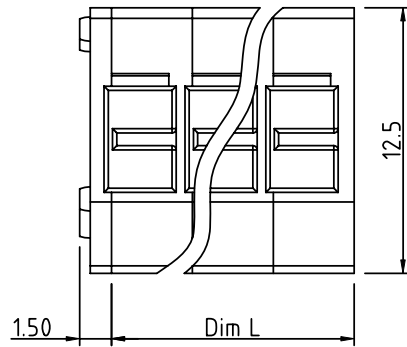


PRODUCT NUMBER	PITCH
HBxx31x000J0G	3.81 mm



RECOMMENDED P.C.B LAYOUT
TOP VIEW

Material:

- Item① Insulating body: Thermoplastic (UL94V-0)
- Item② Insulating cover: Thermoplastic (UL94V-0)
- Item③ Insulating lever: Thermoplastic (UL94V-0) Natural color
- Item④ Solder pin: Brass, Tin plated
- Item⑤ Spring clamp: Stainless steel

Electrical cULus/VDE

- Voltage rating: 300VAC/250VAC
- Current rating: 10A/9A
- Wire range: 0.5-0.75mm²
- Solid wire(AWG): 16-20
- Stranded wire(AWG): 16-20
- Wire strip length: 9-10mm
- Withstanding Voltage: 1.6KV/2KV
- Operating temperature: -40°C to +115°C
- Soldering temperature: 260°C±5°C/5 Sec
- Safety Approval:

N=Number of poles

Dim L=N×3.81

Dim B=(N-1)×3.81

Poles	Dim L	Dim B
2-6p	±0.20	±0.15
7-12p	±0.30	±0.25
13-18p	±0.40	±0.35
19-24p	±0.45	±0.40

PART NO.: HB xx 31 x 0 00J0 G

	End stackable	No. of poles	Color	RoHS compliant
0	0	2	Black (RAL9005)	(lead<4%) In copper Alloy
02	2 poles	3	Red (RAL3001/D)	
03	3 poles	4	Orange(RAL2011/P)	
...	...	5	Yellow(RAL1018/A)	
...	...	6	Green(RAL6018/T)	
24	24 poles	6	Blue (RAL5015/A)	
		8	Grey(RAL7004/P)	
		9	White(RAL1102)	
		C	Multiple colors	

mat'l. code		surface ASME Y14.5	tolerance ASME Y14.5	projection	product family TERMINAL BLOCK
ltr	ecn no	dr	date		title TERMINAL BLOCK SPRING CLAMP,180D WIRE INLET
tolerances unless otherwise specified					
angles		X.±0.5		scale	dwg no sheet 1 of 1 size A4
X*±1°		X.XX±0.1			
dr	ENGR	ENGR	ENGR		type CUSTOMER Drawing
	EVIN ZHONG	EVIN ZHONG	EVIN ZHONG		
	HANKE FENG	HANKE FENG	HANKE FENG		
appd	SHI JUN	SHI JUN	SHI JUN		
sheet index	revision	A			
	sheet	1			