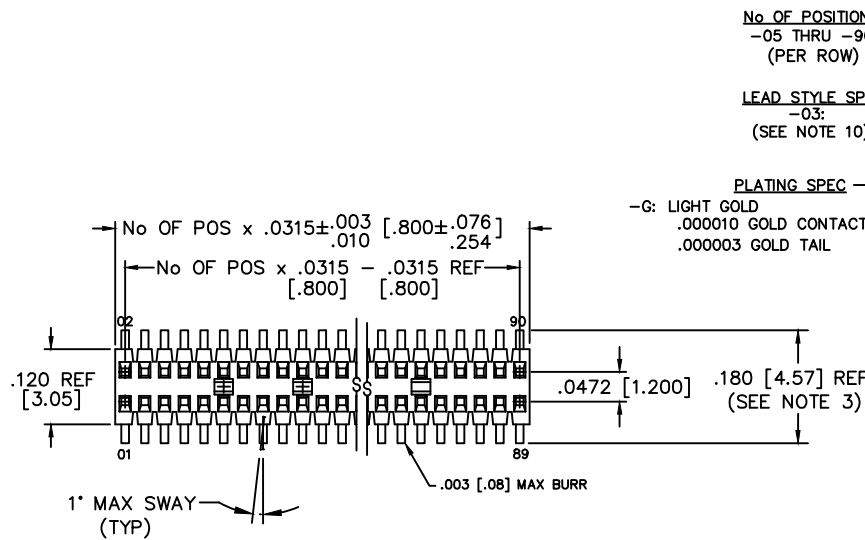


REVISION AT

DO NOT SCALE FROM THIS PRINT

DIMENSIONS ARE IN INCHES		UNLESS OTHERWISE NOTED	TOLERANCES ARE:	TITLE:	DWG NO:
ONE PLACE DECIMALS ±.1[2.5]	THREE PLACE DECIMALS ±.005[.13]		ANGLES ± 2°	.8MM x 1.2MM C.L. TERMINAL STRIP ASSM	AW-XX-03-X-D-XXX-XXX-XX
TWO PLACE DECIMALS ±.01[.3]	FOUR PLACE DECIMALS ±.0020[.051]				SHEET 1 OF 3

AW-XX-03-X-D-XXX-XXX-XX



No OF POSITIONS
-05 THRU -90
(PER ROW)

LEAD STYLE SPEC
-03:
(SEE NOTE 10)

PLATING SPEC
-G: LIGHT GOLD
.000010 GOLD CONTACT AREA,
.000003 GOLD TAIL

OPTIONS
-P: PICK & PLACE PAD (8 POS MIN, SEE FIG. 2, SHEET 2)
(USE PPP-37-NT FOR TAPE & REEL)
(USE PPP-37 FOR TUBE)

-ES: END SHROUD
(SEE FIG. 8 SHEET 3 FOR SNAPPED-ON)
(USE FTE-ES, 11 POS MIN)
(SEE NOTE 5)
(SEE FIG. 7 SHEET 3 FOR MOLDED)
(5 POS MIN)

-EP: END SHROUD GUIDE POST (SEE FIG. 4 SHEET 2)
(USE FTE-EP, 11 POS MIN)
(SEE NOTE 5)

-A: ALIGNMENT PIN OPTION
MOLDED (04-90 POSITIONS) (SEE FIG 5 SHEET 2)
(MOLDED NOT AVAILABLE ON ALL POS)
STAKED (08-90 POSITIONS) (SEE FIG 6 SHEET 2)
(SEE NOTE 6)

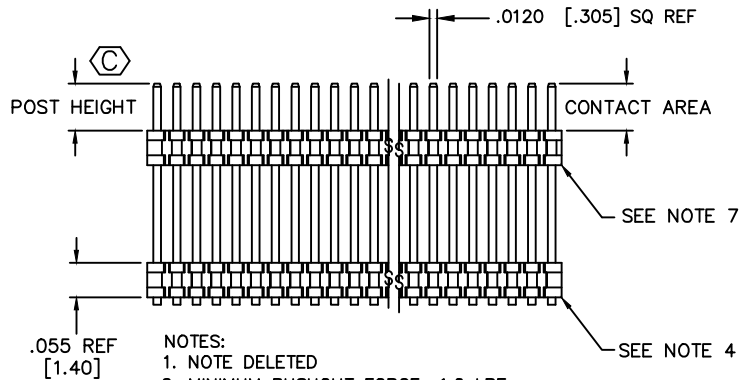
-TR: TAPE & REEL OPTION
(84 POSITIONS MAX)

POST HEIGHT
.075 [1.91] MINIMUM
POST + SPACE = .305 [7.75] MAX

SPACE OPTION
"A": .230 [5.84] MAX w/ .075 [1.91] POST
*.122 [3.09] MIN

ROW SPEC
-D: DOUBLE ROW VERTICAL
(SEE NOTE 4)

*=SEE NOTE 4



- NOTES:
- NOTE DELETED
 - MINIMUM PUSHOUT FORCE: 1.0 LBF.
 - TAILS TO BE SHEARED TO DIMENSION SHOWN.
 - FOR BOTTOM BODY, FOR .122 SPACE OPTION, USE ONLY FTE-90-D-A FOR HANDFILL AND AUTOMATION. FOR OTHER SPACE OPTIONS, USE FTE-90-D-A FOR AUTOMATION. PROCESS CHOSEN AT SAMTEC DISCRETION.
 - FOR USE WITH .075 [1.91] POST HEIGHT ONLY
 - FOR USE WITH BOARD STACKS BETWEEN .160 [4.06] AND .230 [5.84] ONLY.
 - USE FTE-90-D-A FOR TOP BODY (PLACE BODY SO THAT ALIGNMENT PIN CORES ARE NOT VISIBLE).
 - .010 [.25] MAX CUT FLASH
 - Ⓢ REPRESENTS A CRITICAL DIMENSION.
 - USE T-1S29-02-X FOR MACHINE FILLED. USE T-1S29-04-X FOR HAND FILLED.
 - FOR ADDED MECHANICAL STABILITY, SAMTEC RECOMMENDS MECHANICAL BOARD SPACERS BE USED IN APPLICATIONS WITH GOLD OR SELECTIVE GOLD PLATED CONNECTORS. CONTACT IPG@SAMTEC.COM FOR MORE INFORMATION

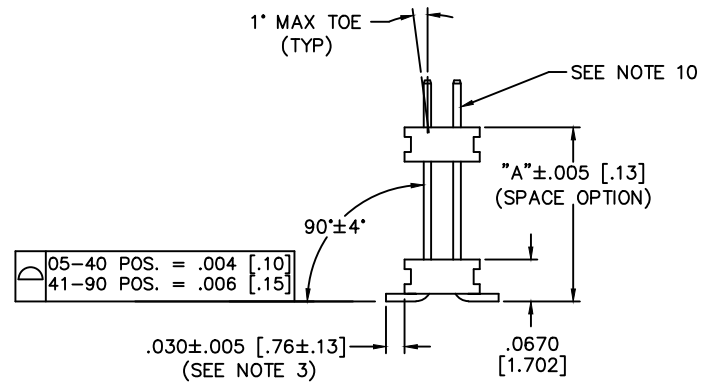


FIG 1

PROPRIETARY NOTE
THIS DOCUMENT CONTAINS CONFIDENTIAL AND PROPRIETARY INFORMATION AND ALL DESIGN, MANUFACTURING, REPRODUCTION, USE PATENT RIGHTS AND SALES RIGHTS ARE EXPRESSLY RESERVED BY SAMTEC, INC. THIS DOCUMENT SHALL NOT BE DISCLOSED, IN WHOLE OR PART, TO ANY UNAUTHORIZED PERSON OR ENTITY NOR REPRODUCED, TRANSFERRED OR INCORPORATED IN ANY OTHER PROJECT IN ANY MANNER WITHOUT THE EXPRESS WRITTEN CONSENT OF SAMTEC, INC.

MATERIAL:
BODY: FTE-90-D-XX,
VECTRA E130I OR ZENITE
6130L, COLOR: BLACK
OR
AW-90-D-A, 6130L,
COLOR: NATURAL

TERMINAL:
PHOS BRONZE

EXISPROD\ASSEMBLY\POINT8MM
AW-ASM

samtec

520 PARK EAST BLVD. NEW ALBANY, INDIANA 47150
PHONE (812) 944-6733 P.O. BOX 1147
CODE 55322

MADE BY: PURVIS 12-14-95

AW-XX-03-X-D-XXX-XXX-XX
SHEET 1 OF 3