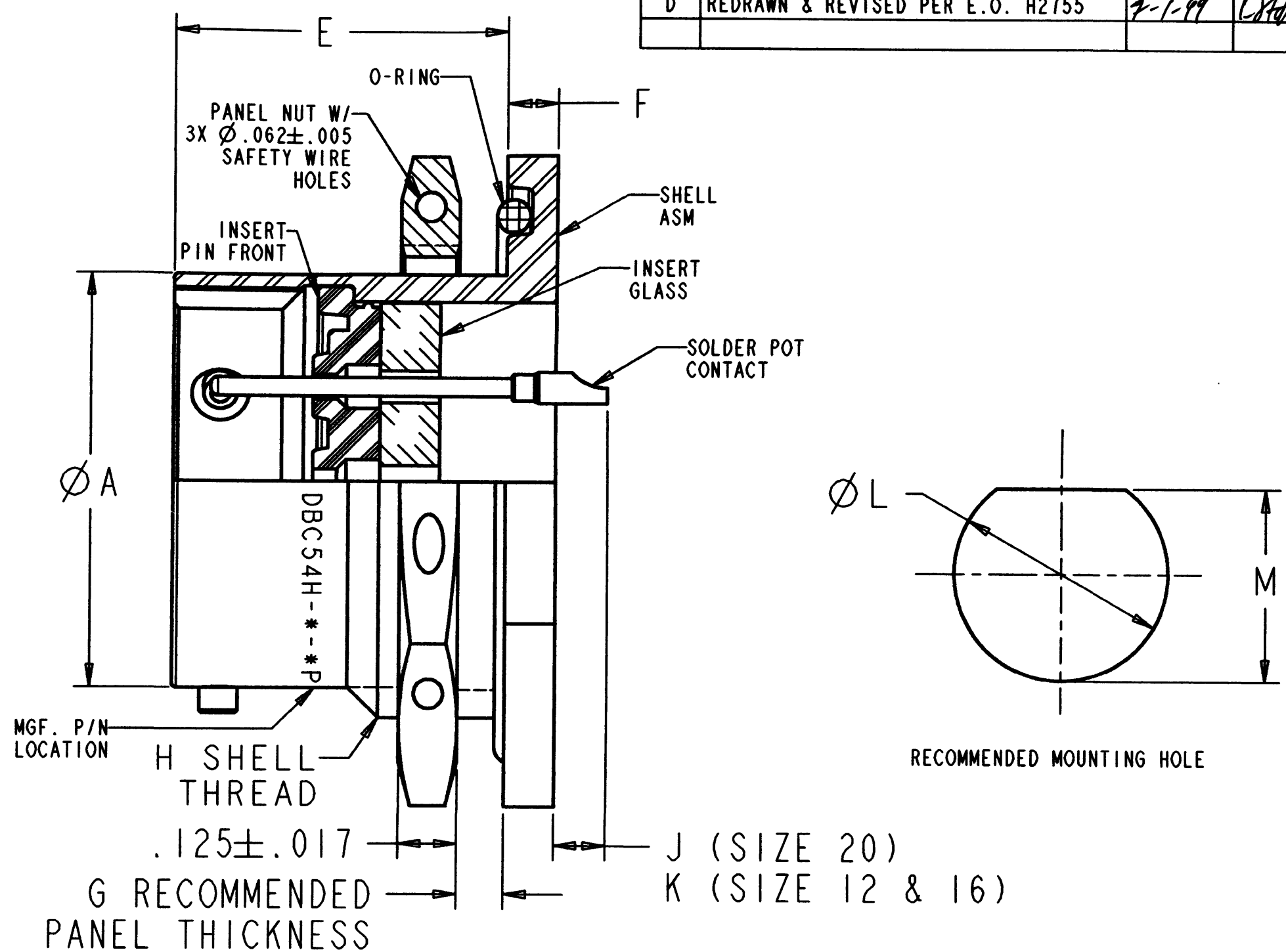
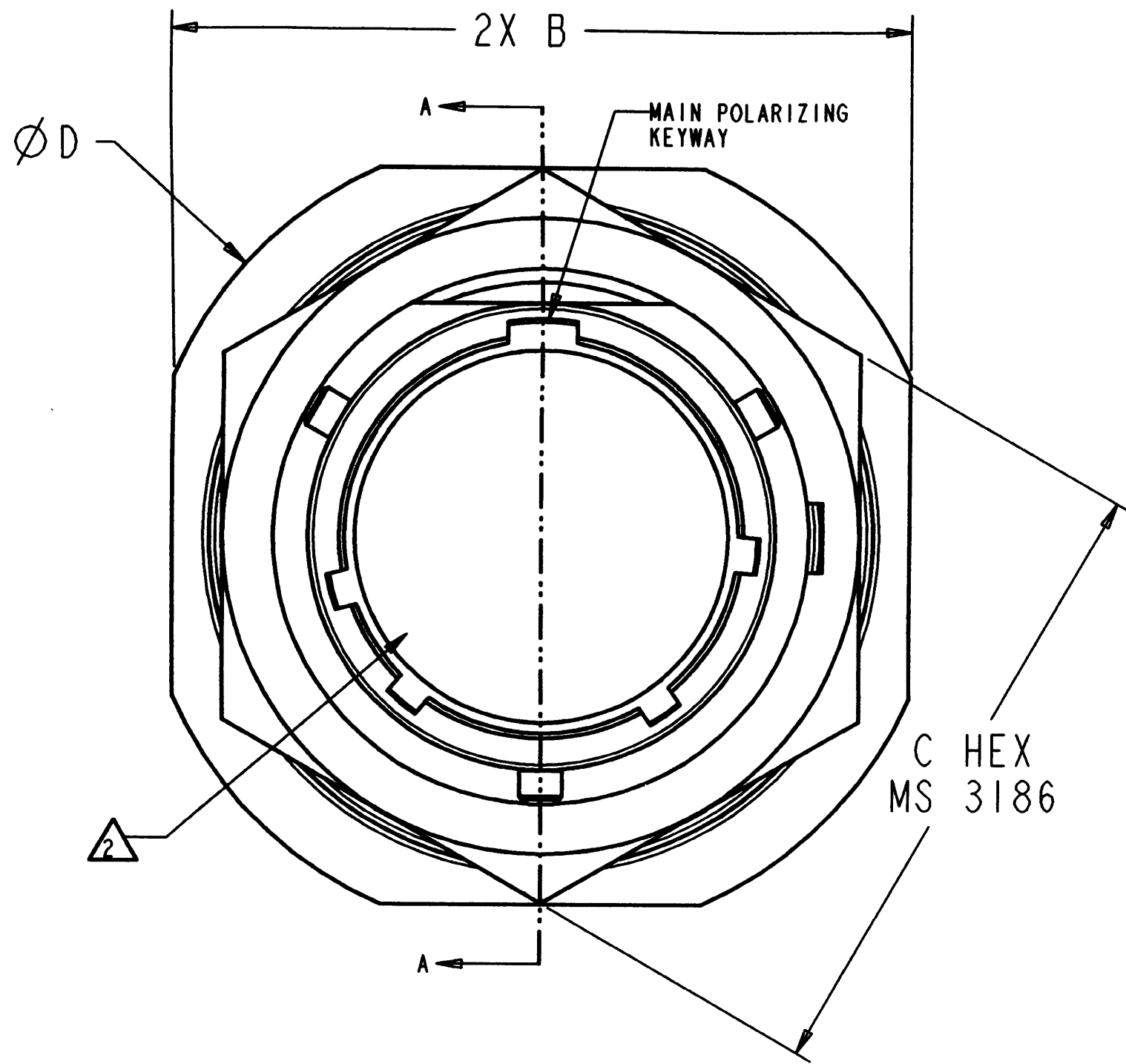


PROPERTY OF DEUTSCH E.C.D.
THIS DRAWING CONTAINS PROPRIETARY INFORMATION THAT SHALL NOT BE DISCLOSED, DUPLICATED,
NOR USED IN WHOLE OR IN PART FOR ANY PURPOSE OTHER THAN TO EVALUATE THIS DRAWING.

D DBC54H-*-*P*

REVISIONS			
REV	DESCRIPTIONS	DATE	APPROVED
C	REDRAWN PER E.O. 61951	8/20/69	J. VEGA
D	REDRAWN & REVISED PER E.O. H2755	2-1-99	[Signature]



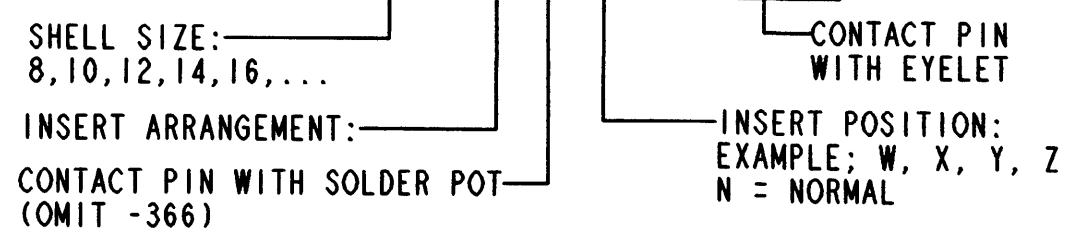
SECTION A-A

PART No:	+.001 A-.005	B±.015	C±.017	D±.015	E±.008	F±.008	G PANEL THK.		H THREAD CLASS 2A	J±.030	K±.030	+.010 L-.000	+.010 M-.000	WEIGHT MAX (lb.)
							MIN	MAX						
DBC54H-8-*P*	.473	.938	.750	1.062	.699	.105	.062	.187	.5625-24UNEF	.104	.174	.572	.537	.043
DBC54H-10-*P*	.590	1.062	.875	1.187	.699	.105	.062	.187	.6875-24UNEF	.104	.174	.697	.661	.061
DBC54H-12-*P*	.750	1.250	1.062	1.375	.699	.105	.062	.187	.8750-20UNEF	.104	.174	.895	.824	.088
DBC54H-14-*P*	.875	1.375	1.188	1.500	.699	.105	.062	.187	1.0000-20UNEF	.104	.174	1.010	.948	.110
DBC54H-16-*P*	1.000	1.500	1.312	1.625	.699	.105	.062	.187	1.1250-18UNEF	.104	.174	1.135	1.072	.131
DBC54H-18-*P*	1.125	1.625	1.438	1.750	.699	.105	.062	.187	1.2500-18UNEF	.104	.174	1.260	1.197	.172
DBC54H-20-*P*	1.250	1.812	1.562	1.938	.763	.138	.062	.250	1.3750-18UNEF	.069	.139	1.385	1.322	.211
DBC54H-22-*P*	1.375	1.938	1.688	2.062	.763	.138	.062	.250	1.5000-18UNEF	.069	.139	1.510	1.447	.242
DBC54H-24-*P*	1.500	2.062	1.812	2.187	.794	.138	.062	.250	1.6250-18UNEF	.069	.139	1.635	1.572	.293

- DIMENSIONS ARE IN INCHES UNLESS OTHERWISE SPECIFIED.
 - INSERT ARRANGEMENT PER MIL-STD-1669.
 - LEAK RATE: < 1E-8 cc/sec He @ 1 atm.
 - MATES WITH AFD56-*-*S* DEUTSCH PLUG CONNECTOR.
 - MATERIAL:
SHELL & PANEL NUT - C1215 MILD STEEL
INSULATOR - GLASS INSERT
CONTACT - 52 HIGH NICKEL-IRON ALLOY
INSERT PIN FRONT & O-RING - FLUOROSILICONE
 - FINISH: SHELL - TIN OVER NICKEL PLATE
CONTACT - GOLD OVER NICKEL PLATE
- NOTE(S):

PART NUMBER DESCRIPTION:

DBC54H-*-*P*-366



FILE: DBC54H-X-XPX-SNP_SHOT

UNLESS OTHERWISE SPECIFIED: DIMENSIONS ARE IN INCHES DECIMALS XXX ± .005 ANGLES ± .5° T.I.R. .010 PARTS TO HAVE NO BURRS OR SHARP EDGES	SIGNATURE & DATE	DR	P. COVARRUBIAS 6/29/99
		CHK	[Signature]
	MATERIAL	PE	[Signature]
	FINISH	APPD	[Signature]
	SCALE		4.000

CONNECTOR, RECEPTACLE
HERMETIC
PIN UNIT
JAM-NUT MOUNT
BAYONET COUPLING
MIL-C-26482 SERIES 2
MS3449
ENVELOPE

CP	MATL CODE 73
DEUTSCH HERMETIC PRODUCTS OPERATION 250 Eddie Jones Way Oceanside, CA 92054	
C	DBC54H-*-*P*
DWG SIZE	CAGE CODE 11139
	SHEET 1 OF 1