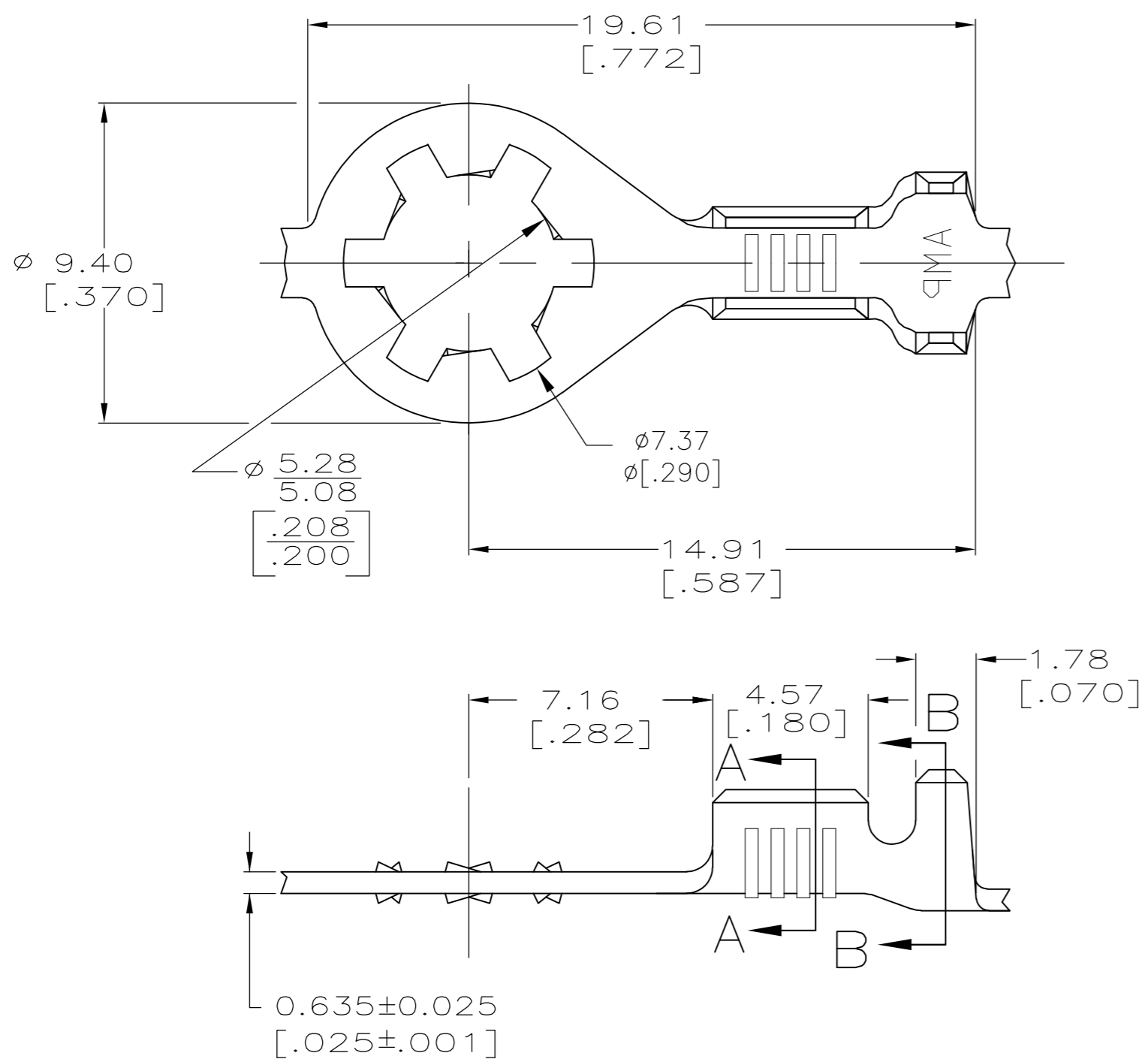
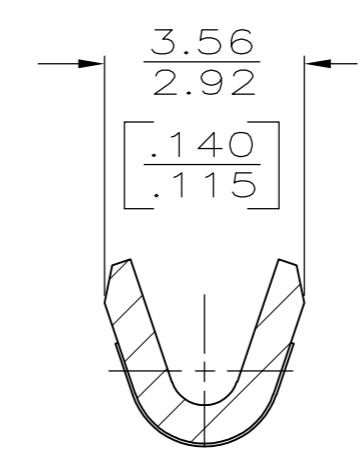


THIS DRAWING IS UNPUBLISHED. RELEASED FOR PUBLICATION  
 © COPYRIGHT BY TYCO ELECTRONICS CORPORATION. ALL RIGHTS RESERVED.

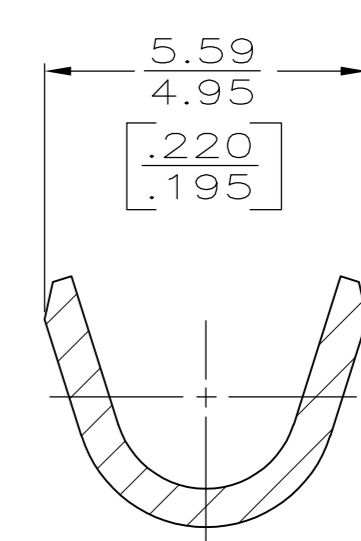
LOC	DIST	REVISIONS			
P	LTR	DESCRIPTION	DATE	DWN	APVD
AF	50	G1	REVISED PER ECR-08-007950	10APR08	HMR DD



- 1 CONTINUOUS STRIP ON REELS.
- 2 0.02032 [.000080] MIN BRIGHT TIN PLATE OVER 0.0127 [.000050] MIN NICKEL UNDERPLATE.
- 3 WIRE RANGE: 0.3-0.8mm<sup>2</sup> [22-18] AWG.
- 4 INSULATION RANGE: 2.03-3.05 [.080-.120] DIA.
- 5 0.02032 [.000080] MIN TIN PLATE.
- 6 PREPRODUCTION - F.A.S.R. REQUIRED.



SECTION A-A  
SCALE 8:1



SECTION B-B  
SCALE 8:1

TYPE	WIDTH	STRIP LENGTH	TYPE	WIDTH	±0.051 [±.002] HEIGHT	WIRE
F or O	4.57 [.180]	6.35 [250]	F	2.54 [100]	1.75 [069]	0.8mm <sup>2</sup> [18]
					1.65 [065]	0.5mm <sup>2</sup> [20]
					1.60 [063]	0.3mm <sup>2</sup> [22]
INSUL BARREL CRIMP		±0.38 [±.015]	WIRE BARREL CRIMP			

5	640271-3
	-
2	640271-1
FINISH	PART NUMBER

THIS DRAWING IS A CONTROLLED DOCUMENT.		DWN 02MAY2003 MICHAEL S. FEHER	Tyco Electronics Corporation Harrisburg, PA 17105-3608	
DIMENSIONS: INCHES		CHK 02MAY2003 D.F. DECKER	NAME	
TOLERANCES UNLESS OTHERWISE SPECIFIED:		APVD 02MAY2003 D.F. DECKER	RING	
0 PLC ± -		PRODUCT SPEC	SIZE CAGE CODE DRAWING NO	
1 PLC ± -		APPLICATION SPEC	A2 00779 C-640271	
2 PLC ± -		WEIGHT	RESTRICTED TO	
3 PLC ± 0.25 [.010]		#2 HARD STEEL	SCALE 6:1 SHEET 1 of 1 REV G1	
4 PLC ± -		SEE TABLE	CUSTOMER DRAWING	
ANGLES ± -				
FINISH				