

4

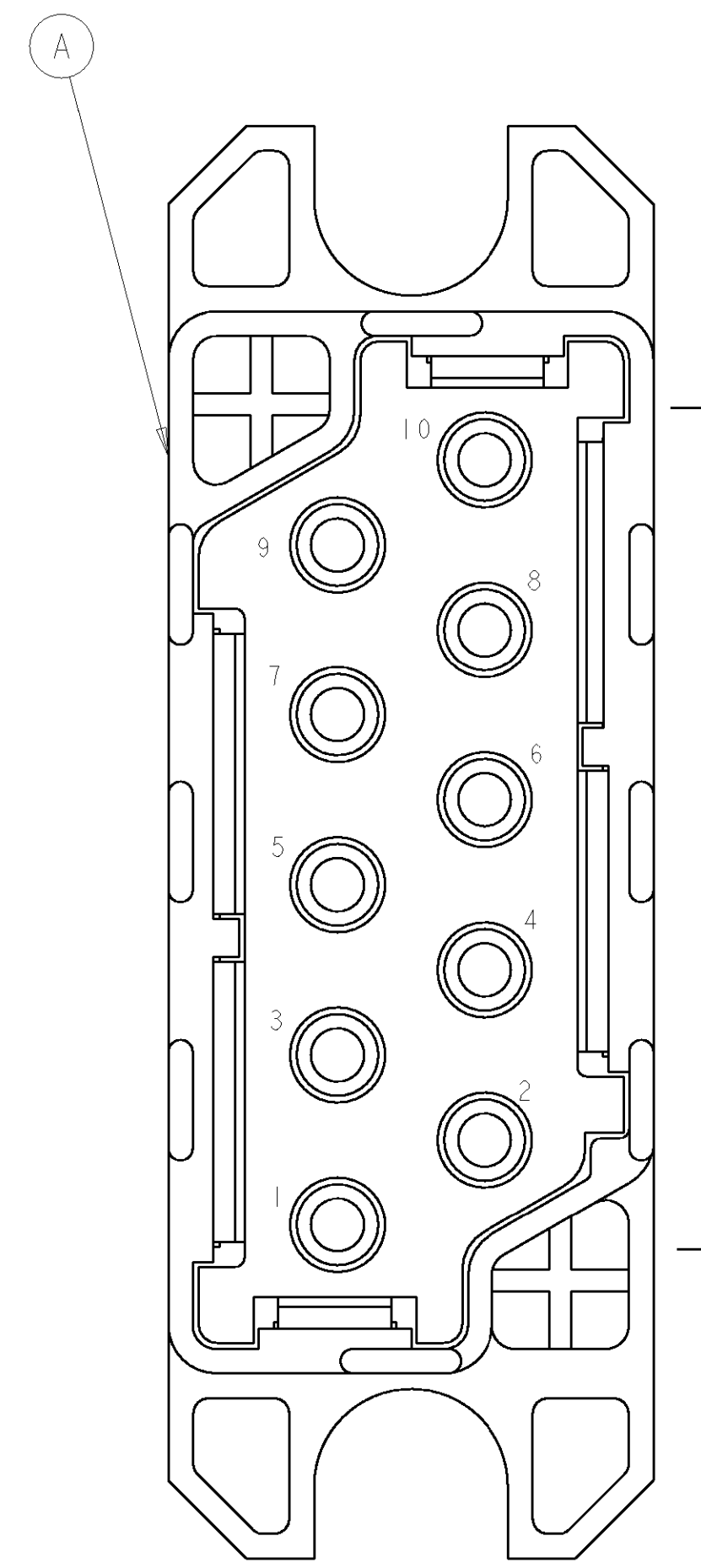
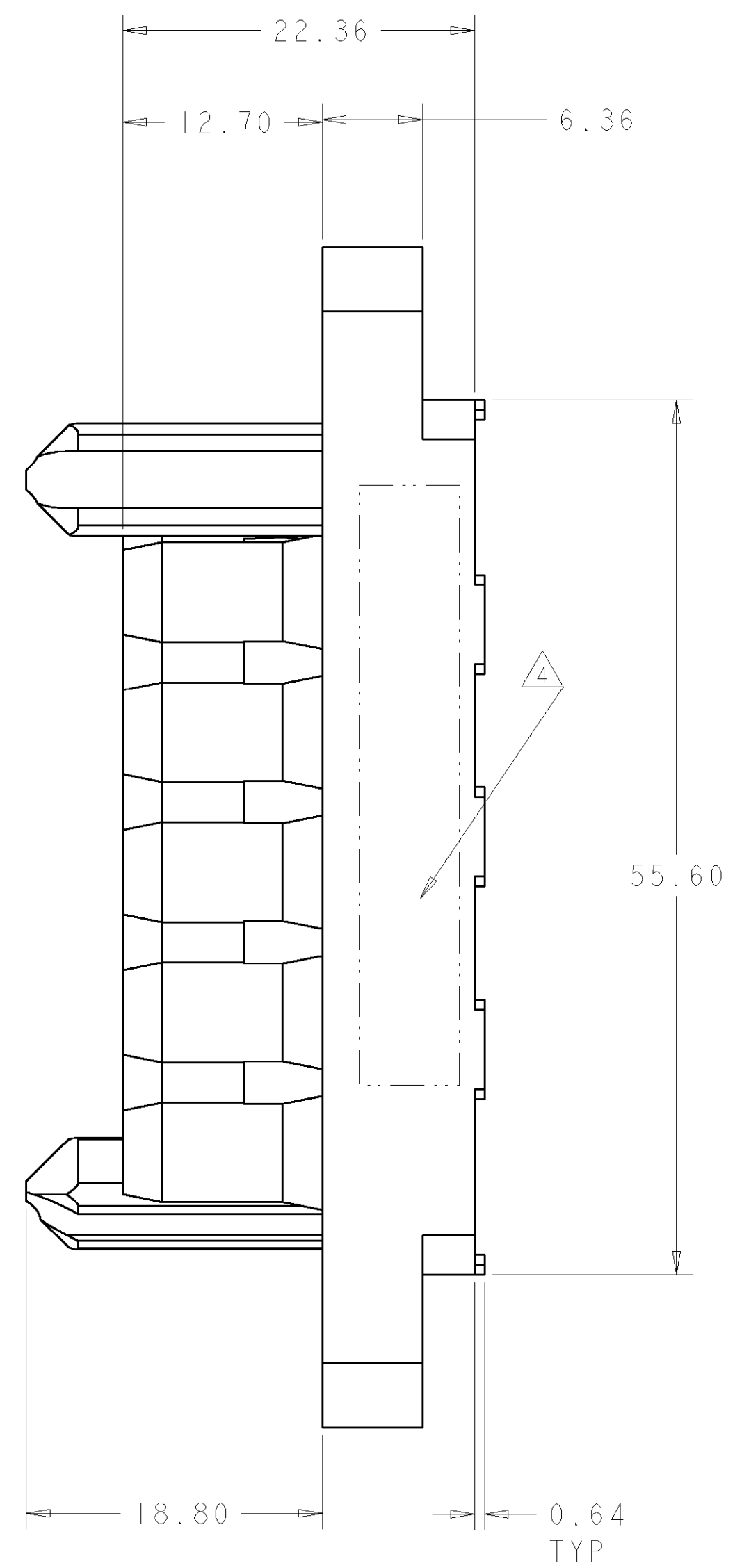
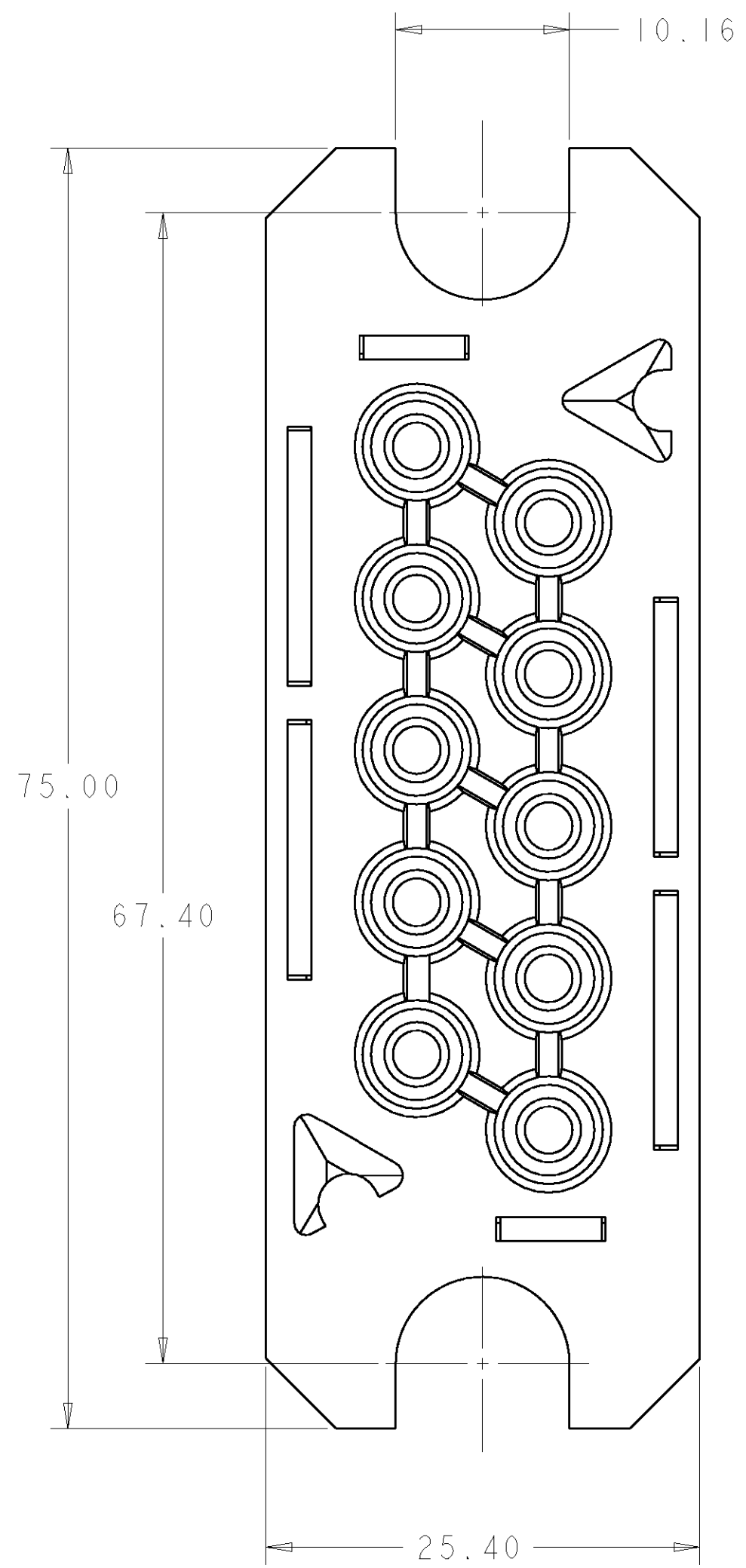
3

2

1

THIS DRAWING IS UNPUBLISHED. RELEASED FOR PUBLICATION 20  
 © COPYRIGHT 20 BY TYCO ELECTRONICS CORPORATION. ALL RIGHTS RESERVED.

LOC	DIST	REVISIONS					
GP	00	P	LTR	DESCRIPTION	DATE	DWN	APVD
			A	RELEASED	24JUL2006	RG	SF



REAR VIEW

SOCKET CONTACT (B)  
SIZE #12

ELCON P1050 DRAWER

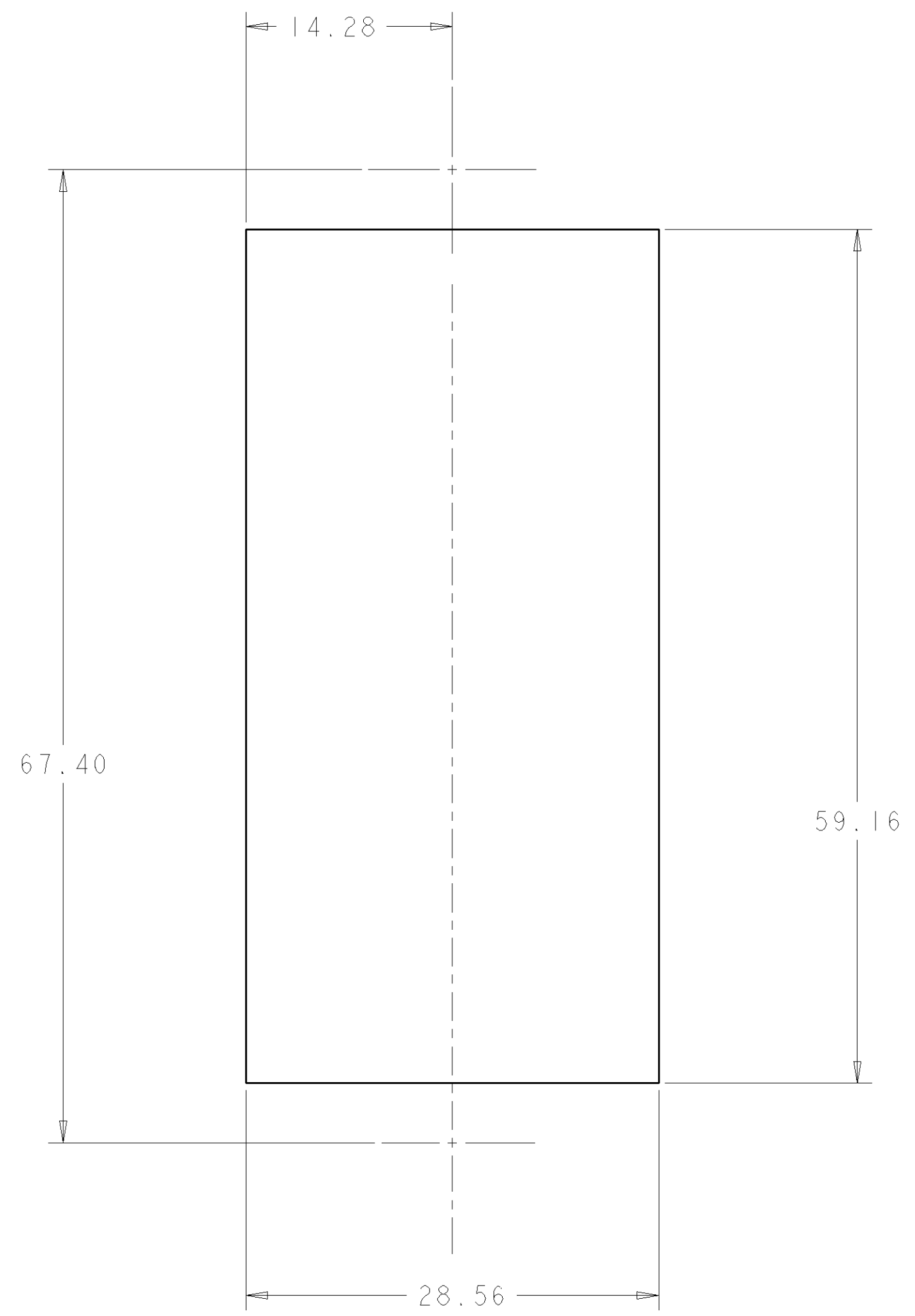
AS SHOWN	1926164-1
DESCRIPTION	PART NUMBER

<small>THIS DRAWING IS A CONTROLLED DOCUMENT FOR TYCO ELECTRONICS CORPORATION          IT IS SUBJECT TO CHANGE AND THE CONTROLLING ENGINEERING ORGANIZATION          SHOULD BE CONTACTED FOR THE LATEST REVISION.</small>		DWN 20 JUN 2006 R. GRZYBOWSKI CHK 20 JUN 2006 S. FLICKINGER APVD 20 JUN 2006 S. FLICKINGER
DIMENSIONS:	TOLERANCES UNLESS OTHERWISE SPECIFIED:	PRODUCT SPEC
mm	0 PLC ±	-
	1 PLC ±	-
	2 PLC ±.30	APPLICATION SPEC
	3 PLC ±.10	-
	4 PLC ±	WEIGHT
	ANGLES ±2	-
MATERIAL	FINISH	CUSTOMER DRAWING
-	-	-

Tyco Electronics Harrisburg, PA 17105-3608		NAME CONNECTOR ASSEMBLY SOCKET P1050 DRAWER	
SIZE	CAGE CODE	DRAWING NO	RESTRICTED TO
A2	00779	C-1926164	-
SCALE	SHEET	OF	REV
3:1	1	2	A

THIS DRAWING IS UNPUBLISHED. RELEASED FOR PUBLICATION 20  
 © COPYRIGHT 20 BY TYCO ELECTRONICS CORPORATION. ALL RIGHTS RESERVED.

LOC	DIST	REVISIONS			
P	LTR	DESCRIPTION	DATE	DWN	APVD
GP	00	-	SEE SHEET 1	-	-



SUGGESTED PANEL CUT-OUT  
 VIEW FROM CONNECTOR MOUNTING SIDE

- PART NUMBER CHANGES AND OR DESIGN CHANGES AFFECTING ITEM INTERCHANGEABILITY REQUIRE PRIOR TYCO APPROVAL AND AUTHORIZATION BY REVISION TO THIS DRAWING.
- MATERIAL:
  - INSULATORS - THERMOPLASTIC, GLASS REINFORCED, COLOR: BLACK UL94V-0 FLAMMABILITY RATED.
  - SOCKET CONTACTS - COPPER ALLOY
  - RETENTION CLIPS: BERYLLIUM COPPER OR STAINLESS STEEL
  - CROWN BAND: BERYLLIUM COPPER
  - SHOULDER SCREWS: STAINLESS STEEL
- FINISH:
  - CONTACTS - SILVER PLATE .000200 INCH MIN. THK., OVER NICKEL .000040 INCH MIN. THK.

△ ITEMS PROVIDED TO THIS SPECIFICATION TO BE PERMANENTLY IDENTIFIED PER THE FOLLOWING IDENTIFIER LABEL

YEAR    WEEK

TYCO PART NO.                      DATE CODE (e.g. 0106)  
 XXXXXXX-X                          XXXX

△ CRIMP CONTACTS AND SHOULDER SCREWS ( ITEM B AND C ) SHALL BE PACKAGED SEPERATELY AND PLACED IN THE BOX WITH THE CONNECTOR ASSEMBLY.

△ 2	1650589-1	SHOULDER SCREW, M4 X 0.7	C
△ 8	6648318-1	CONTACT, SOCKET #12, CRIMP	B
1	1648596-1	SOCKET, CONNECTOR ASSY	A
-1	PART NUMBER	DESCRIPTION	ITEM NO.

<small>THIS DRAWING IS A CONTROLLED DOCUMENT FOR TYCO ELECTRONICS CORPORATION. IT IS SUBJECT TO CHANGE AND THE CONTROLLING ENGINEERING ORGANIZATION SHOULD BE CONTACTED FOR THE LATEST REVISION.</small>		DWN 20 JUN 2006 R. GRZYBOWSKI CHK 20 JUN 2006 S. FLICKINGER APVD 20 JUN 2006 S. FLICKINGER	<b>tyco</b> Electronics Tyco Electronics Harrisburg, PA 17105-3608
DIMENSIONS: mm 	TOLERANCES UNLESS OTHERWISE SPECIFIED: 0 PLC ± 1 PLC ± 2 PLC ±.30 3 PLC ±.10 4 PLC ± ANGLES ±2 FINISH	PRODUCT SPEC APPLICATION SPEC WEIGHT CUSTOMER DRAWING	NAME CONNECTOR ASSEMBLY SOCKET P10SO DRAWER SIZE CAGE CODE DRAWING NO. RESTRICTED TO A200779G-1926164 -
MATERIAL -		SCALE 3:1 SHEET 2 OF 2 REV A	

**ELCON P10SO DRAWER**