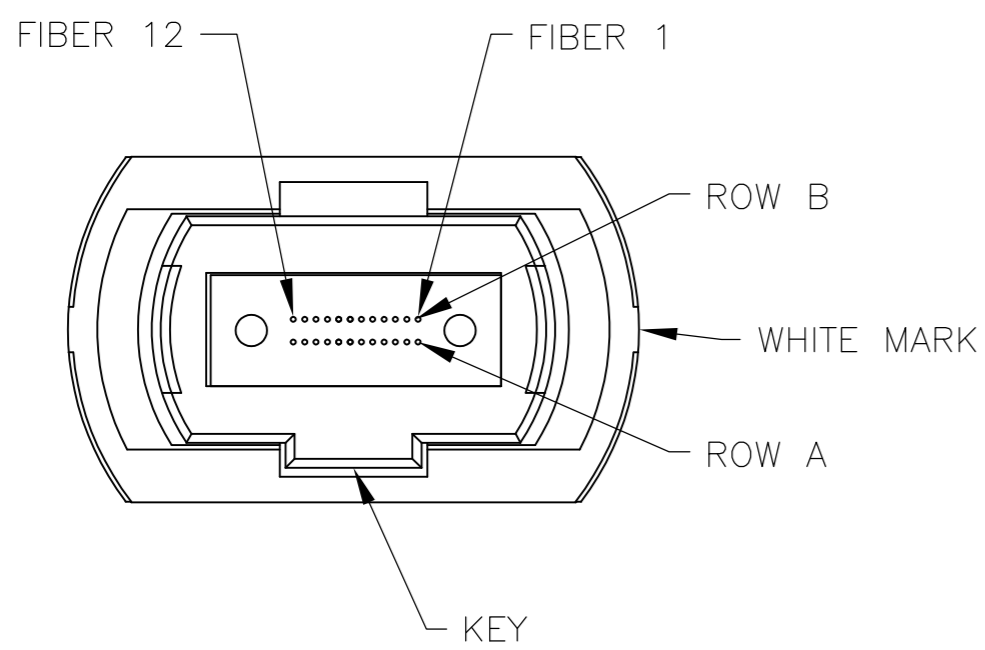
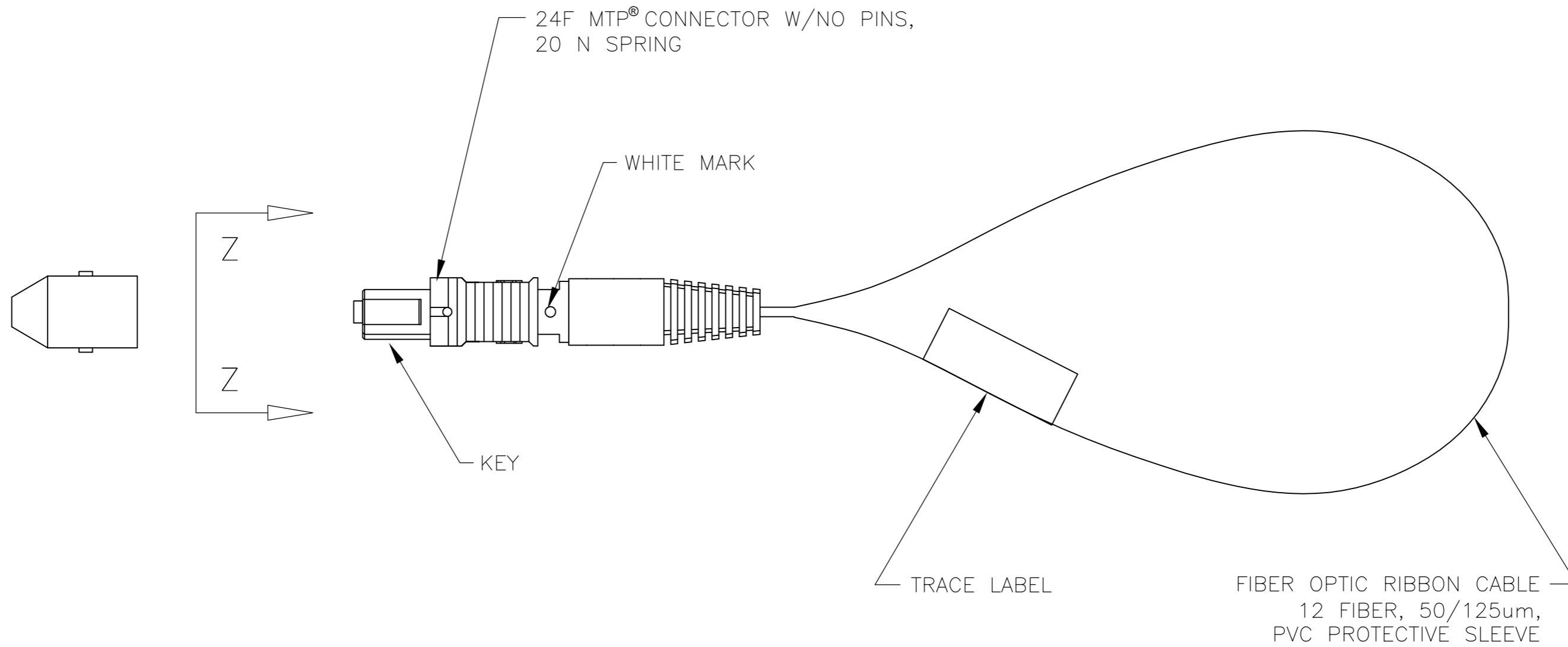


THIS DRAWING IS UNPUBLISHED. RELEASED FOR PUBLICATION
 © COPYRIGHT BY TYCO ELECTRONICS CORPORATION. ALL RIGHTS RESERVED.

LOC	DIST	REVISIONS			
P	LTR	DESCRIPTION	DATE	DWN	APVD
CE	16	B1	MPO IS CHANGED TO MTP®	27MAY2014	NK JD

1. MAXIMUM INSERTION LOSS (1300nm):
1.5dB PER FIBER PATH
2. PRODUCT AND PROCESSING MUST MEET REQUIREMENTS OF TYCO ELECTRONICS STANDARD 230-702.



ROW A	ROW B
1	1
2	2
3	3
4	4
5	5
6	6
7	7
8	8
9	9
10	10
11	11
12	12

FIBER ROUTING DETAIL

VIEW Z-Z
NOT TO SCALE

6754867-1
PART NUMBER

THIS DRAWING IS A CONTROLLED DOCUMENT.		DWN KATHY HE 19APR06	Tyco Electronics Corporation Harrisburg Pa, 17105-3608	
DIMENSIONS: METERS [INCHES]		CHK J. BARRY 19APR06		
TOLERANCES UNLESS OTHERWISE SPECIFIED:		APVD J. BARRY 19APR06		
0 PLC ± - 1 PLC ± - 2 PLC ± - 3 PLC ± - 4 PLC ± - ANGLES ± -		NAME		
MATERIAL		PRODUCT SPEC	CABLE ASSEMBLY, FIBER OPTIC, 50/125um, 24 FIBER, RIBBON 24F MTP® LOOPBACK	
FINISH		APPLICATION SPEC	SIZE A2	CAGE CODE 00779
		WEIGHT	DRAWING NO C=6754867	
		CUSTOMER DRAWING	RESTRICTED TO	
		SCALE NTS	SHEET 1 OF 1	REV B1