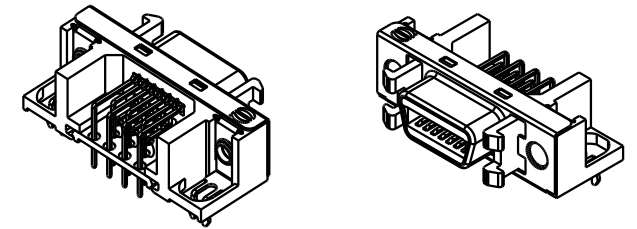
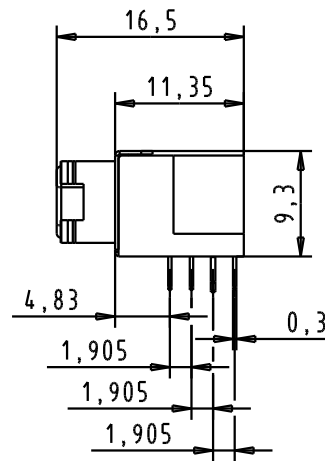
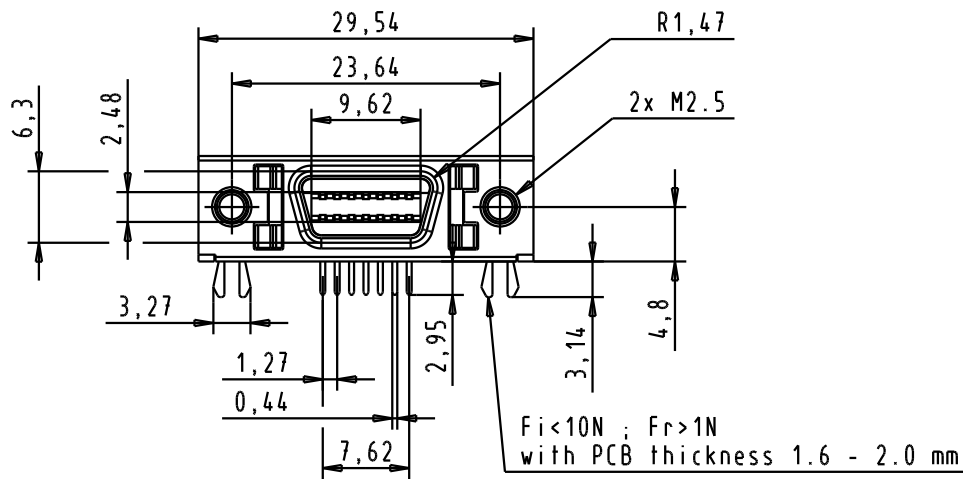




PCB Layout: component side



According to IEC 61076-3-100

1) see TB 60 11 014 5740 folio 2/2 for reel packaging

				Dat.	Name	 All Dim. in mm Orig. Size DIN A 4	har.mik® I/O bellow 14 poles female SMC with angled solder pins, boardlocks, fixed latches	Maßstab/ Scale 1.5:1
				Detail.	11 Jul 2006		ED	
				Insp.				
33811	18 Oct 2006	ED		Stand.				
33795	07 Aug 2006	ED						
33781	12 Jul 2006	ED						
Mod.	Dat.	Name	HARTING EURL F-95972 Paris				TB 60 11 014 5740	Blatt/ Page 1 / 2
							Sub.	