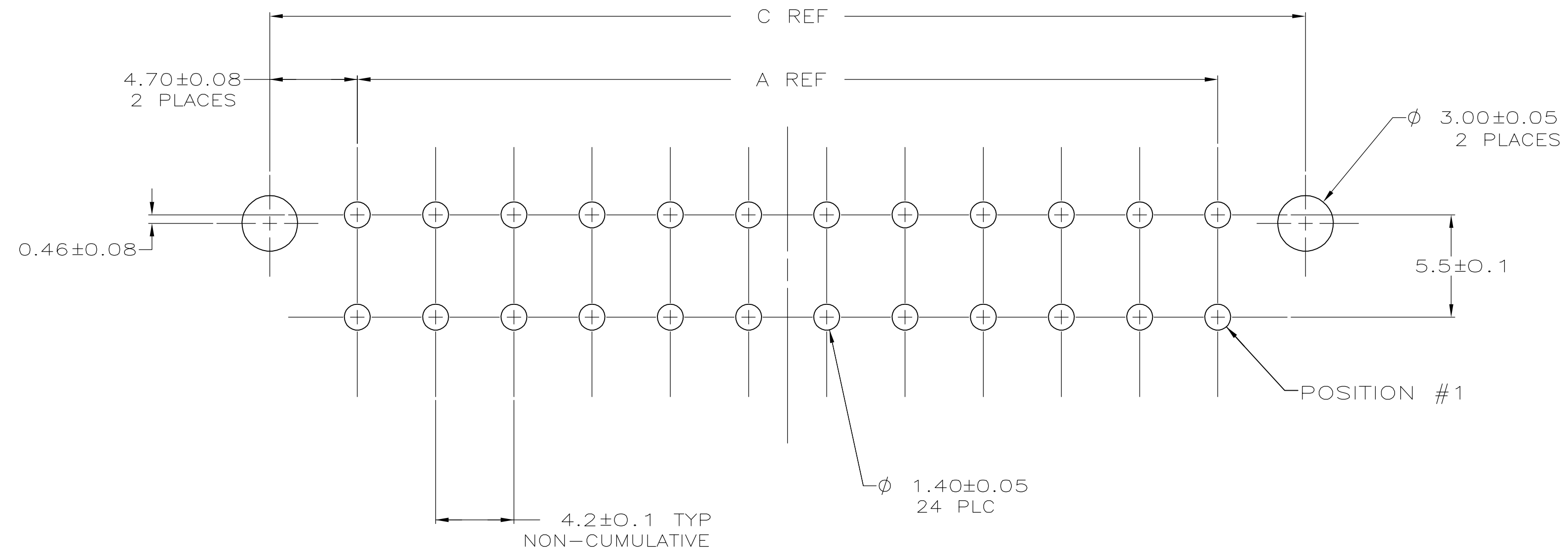
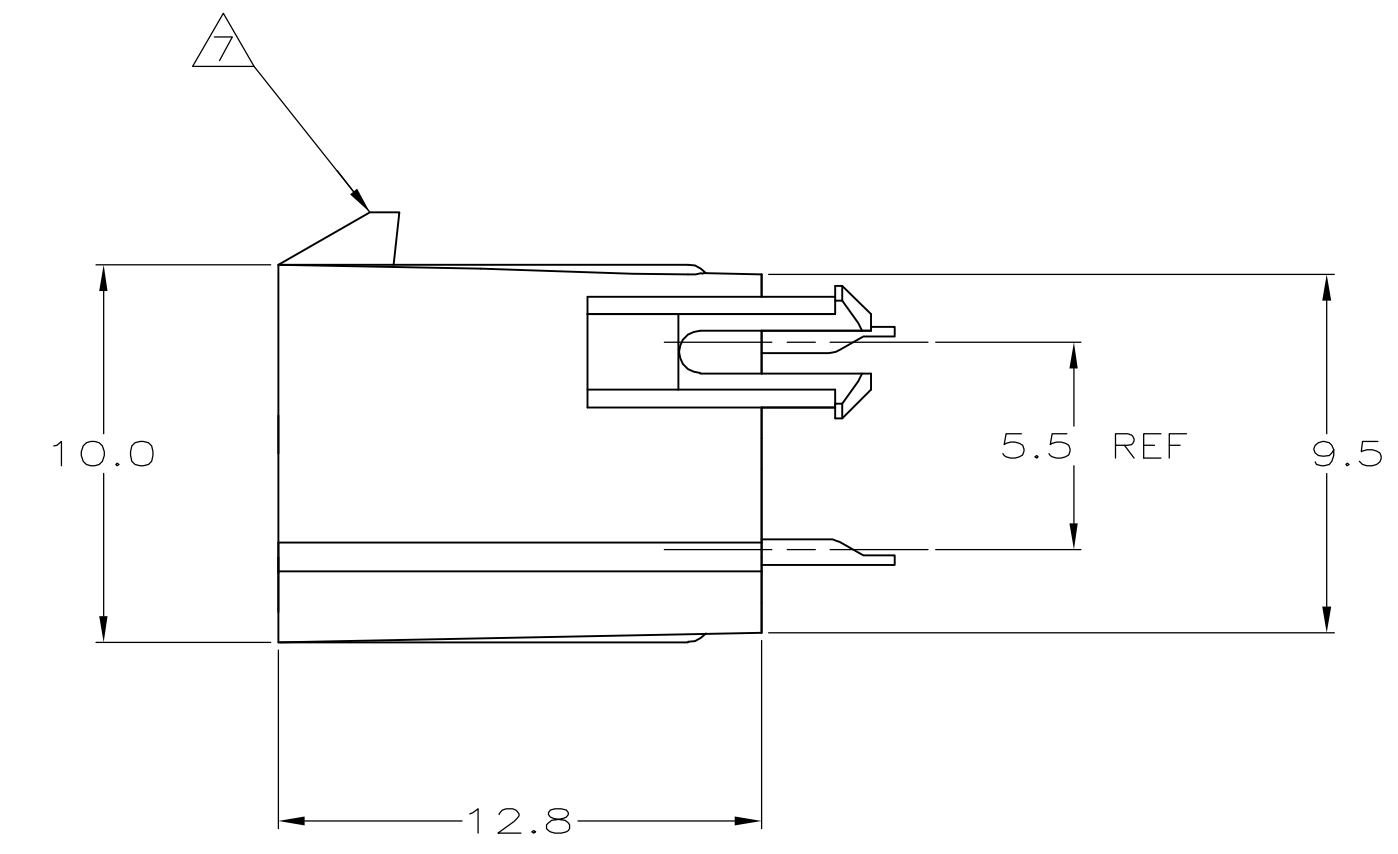
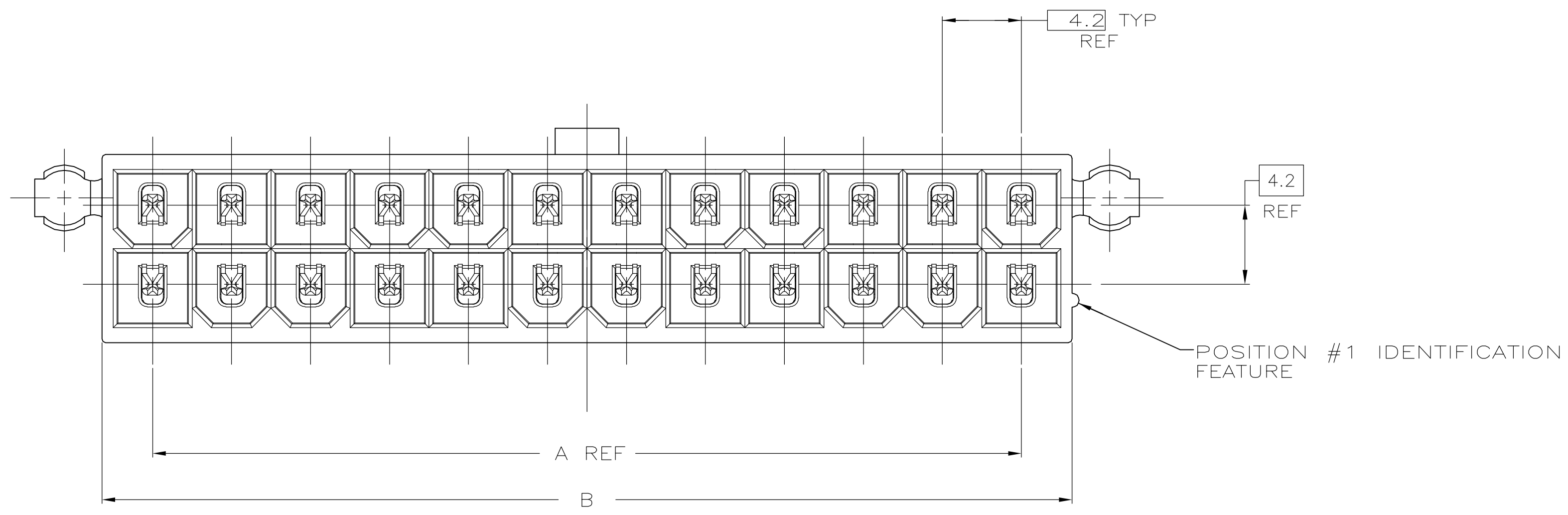


- △ MATERIAL: HOUSING - NYLON, UL94V-2 (COLOR - NATURAL, COLOR OF PARTS MAY VARY).  
CONTACTS - 0.25 THK COPPER ALLOY.
- △ CONTACT FINISH: 0.003 MIN THK TIN OVER 0.00127 MIN THK NICKEL OVER ENTIRE CONTACT.
- 3. SOLDER TAIL MEETS AMP SOLDERABILITY SPECIFICATION 109-11-2.
- 4. MATES WITH SIMILARLY PLATED AMP-DUAC™ POWER CONNECTOR RECEPTACLE HOUSINGS/SOCKET CONTACTS.
- △ RIBS ON FOUR CORNERS OPTIONAL.
- △ AMP LOGO AND MATERIAL ID MAY BE LOCATED ON EITHER LONG SIDE OF PART.
- △ SIZE, SHAPE OR STYLE OF THIS FEATURE MAY VARY.



RECOMMENDED MOUNTING HOLE PATTERN  
 FOR 1.78 MAX THICK P.C. BOARD  
 COMPONENT SIDE SHOWN

58.8	55.6	51.6	46.2	24	2-1586489-4
54.6	51.4	47.4	42.0	22	2-1586489-2
50.4	47.2	43.2	37.8	20	2-1586489-0
46.2	43.0	39.0	33.6	18	1-1586489-8
42.0	38.8	34.8	29.4	16	1-1586489-6
37.8	34.6	30.6	25.2	14	1-1586489-4
33.6	30.4	26.4	21.0	12	1-1586489-2
29.4	26.2	22.2	16.8	10	1-1586489-0
25.2	22.0	18.0	12.6	8	1586489-8
21.0	17.8	13.8	8.4	6	1586489-6
16.8	13.6	9.6	4.2	4	1586489-4
12.6	9.4	5.4	0.0	2	1586489-2
D	C	B	A	NO. OF POSITIONS	PART NO

THIS DRAWING IS A CONTROLLED DOCUMENT.

DIMENSIONS:	TOLERANCES UNLESS OTHERWISE SPECIFIED:	DRN: K. WHITAKER 20JUNE2005	chk: D. COLEY 20JUNE2005	tyco Electronics	Tyco Electronics Corporation Harrisburg, PA 17105-3608
mm	0 PLC ± - 1 PLC ± 0.2 2 PLC ± 0.15 3 PLC ± - 4 PLC ± - ANGLES ± 0° 30'	APRD: D. COLEY 20JUNE2005	NAME: D. COLEY	PRODUCT SPEC: 108-1699	APPLICATION SPEC: -
MATERIAL: △	FINISH: △	SIZE: A1	CAGE CODE: 00779	DRAWING NO: 1586489	RESTRICTED TO: -
CUSTOMER DRAWING		SCALE: 5:1	SHEET: 1 OF 1	REV: 01	

