

ROW A  
ROW B  
ROW C  
ROW D  
ROW E  
ROW F  
ROW G  
ROW H  
ROW J

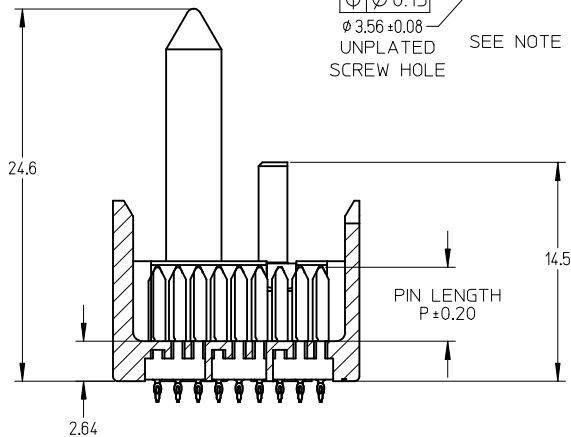
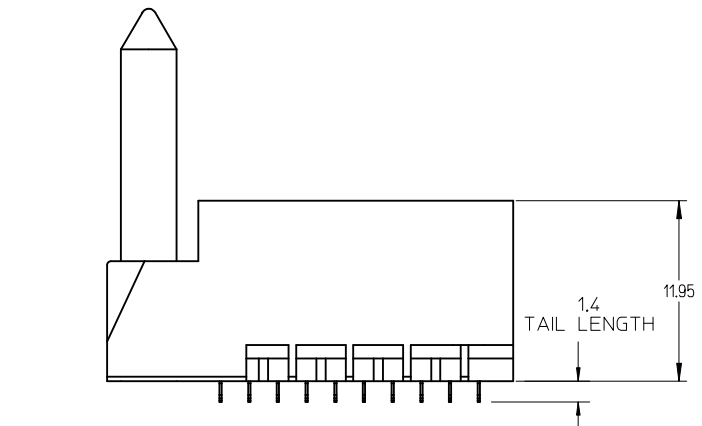
$\varnothing 0.15$   
 $\varnothing 3.56 \pm 0.08$   
UNPLATED  
SCREW HOLE

SEE NOTE #8

KEEP-OUT ZONE

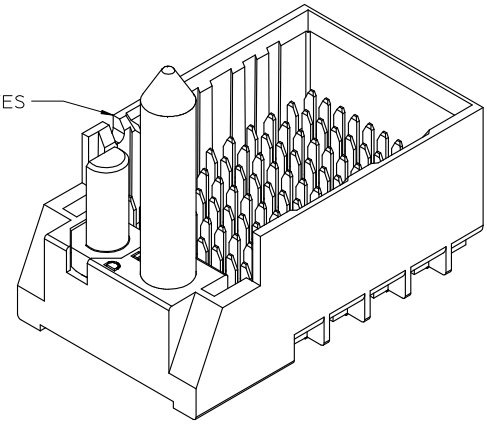
$\varnothing 0.10$   
SEE PART NUMBER CHART  
AND  
PART NUMBER LOGIC  
(9 HOLES PER COLUMN)

LEFT GUIDED  
BACKPLANE HOLE PATTERN  
(CONNECTOR SIDE)  
SEE NOTE 5



SECTION Z-Z

NOTCH DESIGNATES  
ROW A

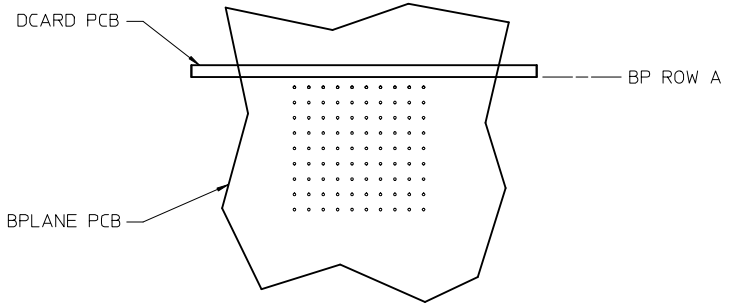


NOTES:

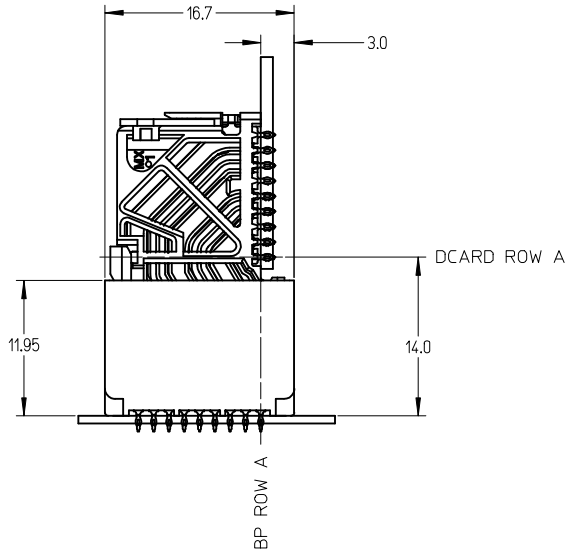
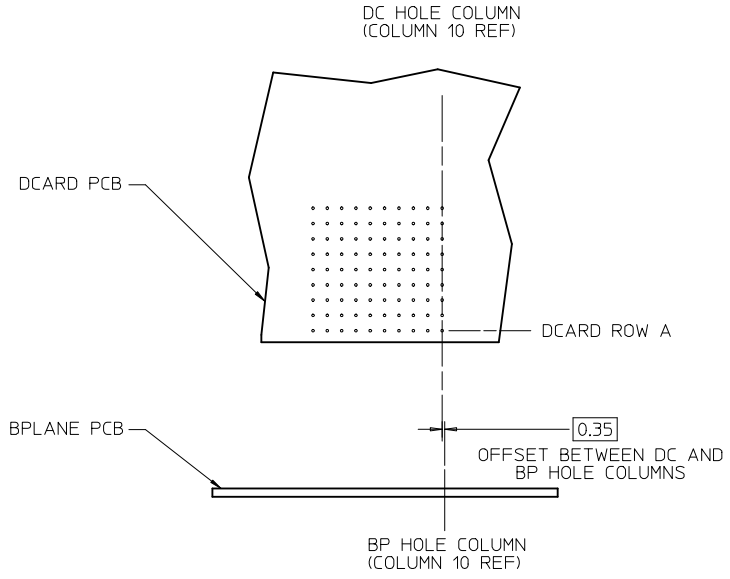
- MATERIALS: HOUSING - LIQUID CRYSTAL POLYMER (LCP)  
GLASS-FILLED, UL94V-0  
TERMINALS - HIGH PERFORMANCE COPPER ALLOY
- FINISH: 30μ INCH MIN GOLD IN CONTACT AREA.  
SELECTIVE MATTE TIN ON PCB TAILS, NICKEL OVERALL.
- REFER TO MOLEX PRODUCT SPECIFICATION PS-170540-999  
FOR PERFORMANCE SPECIFICATIONS AND ADDITIONAL PCB INFORMATION.
- THIS PART CONFORMS TO CLASS B REQUIREMENTS OF MOLEX COSMETIC SPEC PS-45499-002.
- \*THESE DIMENSIONS REPRESENT THE AREA NEEDED TO ACCOMMODATE CONNECTOR INSERTION AND REPAIR ON THE PC BOARD. THIS IS REFERRED TO AS THE "CONNECTOR KEEP OUT ZONE" AND DOES NOT REPRESENT THE ACTUAL PERIMETER OF THE CONNECTOR. WHEN LAYING OUT A PC BOARD FOR CONNECTORS STACKED TOGETHER, USE A 1.9mm PROGRESSION."
- PACKAGE PER: PK-70873-758.
- SEE SHEETS 2 & 3 FOR PART NUMBERS AND BOARD RELATIONSHIPS.
- FOR GROUNDED GUIDE PINS USE  $\varnothing 3.56 \pm 0.08$  (PTH)  $\varnothing 3.66$  (DRILL) &  $\varnothing 6.5$  (PAD).
- REFER TO MOLEX PCB ROUTING GUIDE AS-76060-990 FOR ANTIPAD AND ROUTING RECOMMENDATIONS.
- CONNECTORS SUPPLIED WITH A 2-56 UNC-2A SCREW, MOLEX P/N 73774-1000.
- MINIMUM CIRCUIT BOARD THICKNESS: 1.0mm
- KEEP OUT ZONE FOR BP HOUSING LENGTH INCLUDES AN ADDITIONAL 1.0mm TO ACCOMMODATE FOR SPACE REQUIRED BY DC FRONT HOUSING.

ADD SCREW P/N EC NO: UCP2015-0242 DRW:DMORGAN 2014/07/21 CHKD:MPHOFF 2014/07/21 APPR:SMILLER 2014/08/04 REV: D2	QUALITY SYMBOLS $\nabla = 0$ $\nabla = 0$ $\nabla = 0$	GENERAL TOLERANCES (UNLESS SPECIFIED)		DIMENSION STYLE	SCALE	DESIGN UNITS	THIRD ANGLE PROJECTION	
				MM ONLY	4:1	METRIC		
		mm	INCH	DRAWN BY	DATE	TITLE		
		4 PLACES ± ---	± ---	JB INGHAM	2010/05/11	IMPACT 3-PAIR 85-OHM LEFT GUIDED BACKPLANE SALES ASSEMBLY DRAWING		
3 PLACES ± ---	± ---	CHECKED BY	DATE				SHEET NO. 1 OF 3	
2 PLACES ± 0.13	± ---	JLAURX	2010/05/11					
1 PLACE ± 0.25	± ---	APPROVED BY	DATE	DOCUMENT NO.				
0 PLACE ± ---	± ---	JLAURX	2013/01/28	SD-170525-0002				
ANGULAR ±1/2°		MATERIAL NO.		SEE CHART				
DRAFT WHERE APPLICABLE MUST REMAIN WITHIN DIMENSIONS		SIZE		THIS DRAWING CONTAINS INFORMATION THAT IS PROPRIETARY TO MOLEX INCORPORATED AND SHOULD NOT BE USED WITHOUT WRITTEN PERMISSION				





IMPACT 3 PAIR  
BOARD RELATIONSHIPS



SEE SHEET 1 EC NO: UCP2015-0242 DRAWN:MORGAN 2014/07/21 CHKD:MPOFF 2014/07/21 APPR:SMILLER 2014/08/04	QUALITY SYMBOLS ▽=0 ▽=0 ▽=0	GENERAL TOLERANCES (UNLESS SPECIFIED)		DIMENSION STYLE <b>MM ONLY</b>	SCALE <b>3:1</b>	DESIGN UNITS <b>METRIC</b>	THIRD ANGLE PROJECTION		
		4 PLACES ± --- ± ---	3 PLACES ± --- ± ---	2 PLACES ± 0.13 ± ---	1 PLACE ± 0.25 ± ---	0 PLACE ± --- ± ---	ANGULAR ±1/2°	DRAFT WHERE APPLICABLE MUST REMAIN WITHIN DIMENSIONS	MATERIAL NO. <b>SEE CHART</b>
D2	DESCRIPTION			DRAWN BY JB INGHAM		DATE 2010/05/11			
				CHECKED BY JLAURX		DATE 2010/05/11			
				APPROVED BY JLAURX		DATE 2013/01/28			
<p>THIS DRAWING CONTAINS INFORMATION THAT IS PROPRIETARY TO MOLEX INCORPORATED AND SHOULD NOT BE USED WITHOUT WRITTEN PERMISSION</p>									