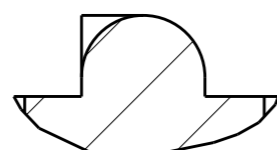
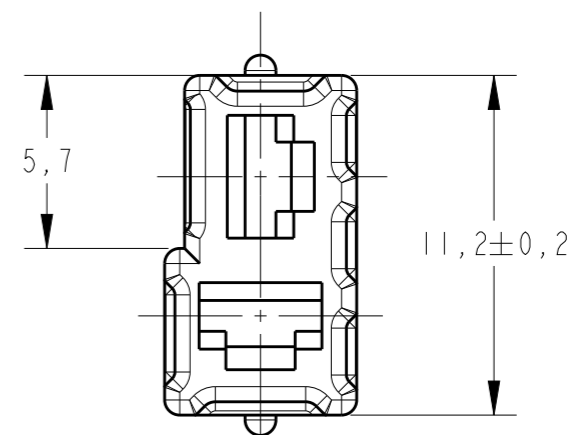
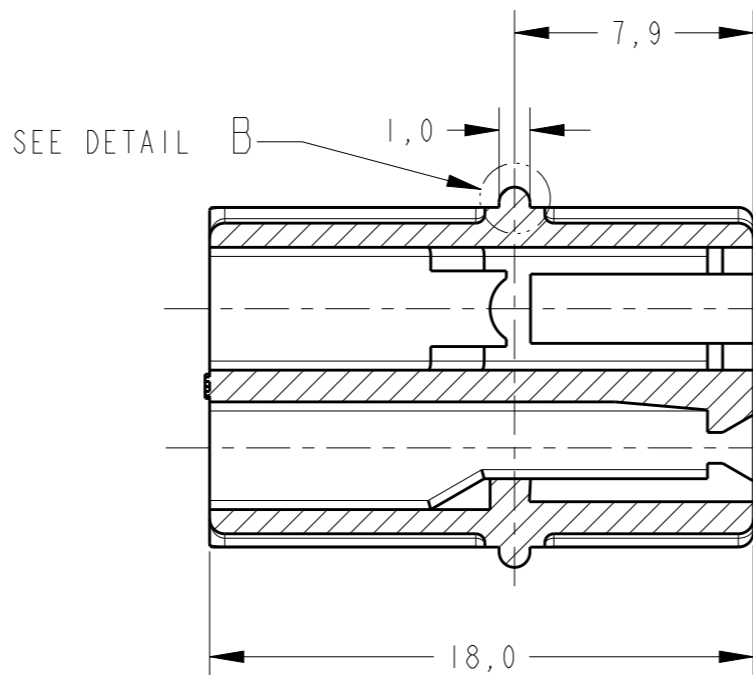
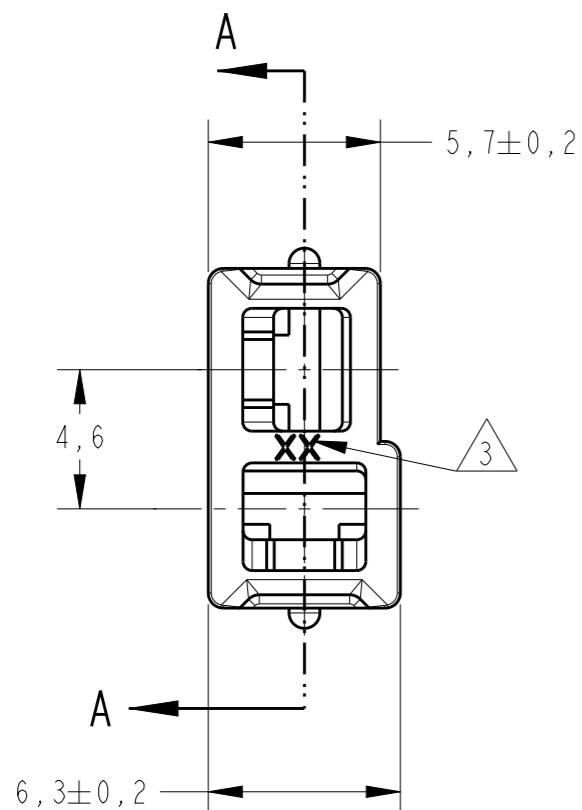


THIS DRAWING IS UNPUBLISHED. RELEASED FOR PUBLICATION  
 © COPYRIGHT - BY - ALL RIGHTS RESERVED.

LOC	DIST	REVISIONS					
AP	-	P	LTR	DESCRIPTION	DATE	DWN	APVD
			K3	REVISED PER ECO-11-005139	19MAR11	RK	HMR
			K4	REVISED BY ECO-12-020337	22NOV2012	PP	WS
			K5	REV. BY ECO 16-010419	14JULY2016	HC	WLS



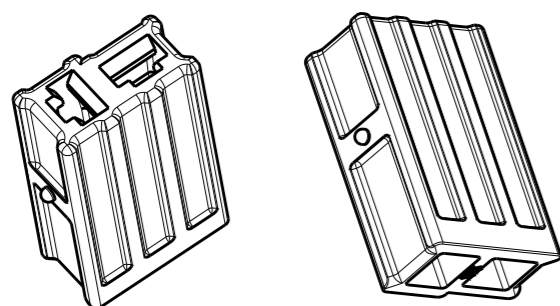
CONSTRUÇÃO OPCIONAL  
 OPTIONAL CONSTRUCTION  
 DETAIL B  
 SCALE 16:1

GRAVAÇÕES MARKINGS	
NÚMERO CAVIDADE CAVITY NUMBER	3

1 - RAW MATERIAL ACC. TO SPEC. IEC 60335-1 GWT 750°C WITHOUT FLAME  
 MATERIA PRIMA CONFORME IEC 60335-1 GWT 750°C SEM CHAMA.

2 - QUANTIDADE DA EMBALAGEM SÃO 1000 PEÇAS/CAIXA.  
 PACKAGING QUANTITY ARE 1000 PARTS/BOX.

OBSOLETE	NATURAL	MADE FROM 626064	2 1-0626064-3
	NATURAL	PA 6.6 V-0 1	1-0626064-2
	PRETO/BLACK	PA 6.6	0-0626064-5
OBSOLETE	VERMELHO/RED	PA 6.6	0-0626064-1
	NATURAL	PA 6.6	0-0626064-0
	FINISH	MATERIAL	PART NUMBER



PERSPECTIVE VIEW  
 SCALE 2:1



THIS DRAWING IS A CONTROLLED DOCUMENT.		DWN E. LOPES 14MAR2006	TE Connectivity	
DIMENSIONS: mm		CHK P. L. FARIA 14MAR2006		
TOLERANCES UNLESS OTHERWISE SPECIFIED:		APVD M. S. OLIVEIRA 14MAR2006	NAME 2 WAY .110 FASTIN-ON RECEP. HSG 2 WAY .110 FASTIN-ON RECEP. HSG	
0 PLC ±-		PRODUCT SPEC	SIZE	
1 PLC ±0,15		APPLICATION SPEC	CAGE CODE	
2 PLC ±-		WEIGHT	DRAWING NO	
3 PLC ±-		Customer Drawing	A3 00779 C-626064	
4 PLC ±-			RESTRICTED TO	
ANGLES ±30'			SCALE	
FINISH SEE TABLE			4:1	
			SHEET 1 OF 1	
			REV K5	