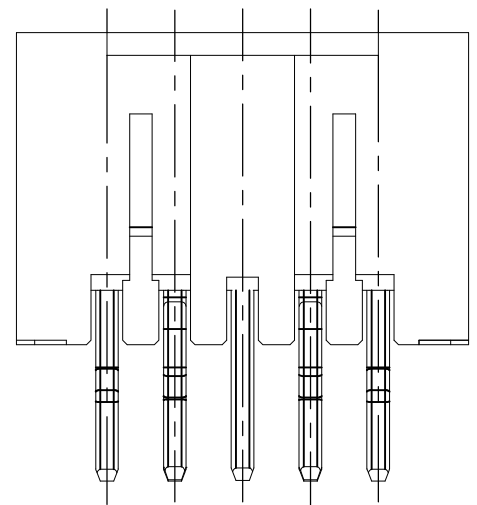
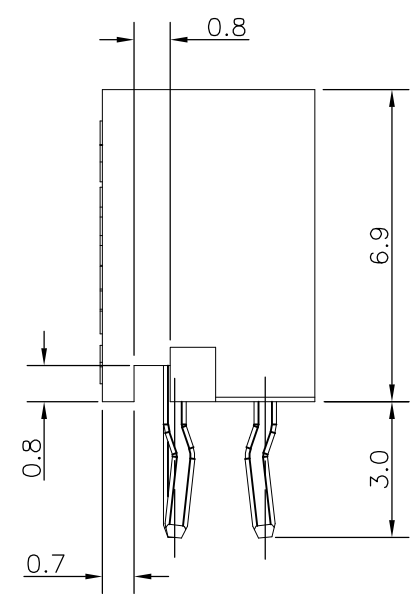
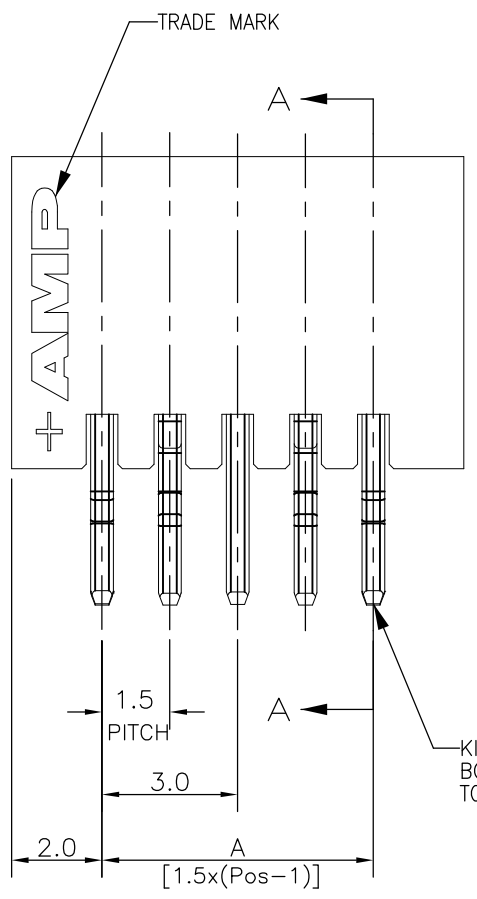
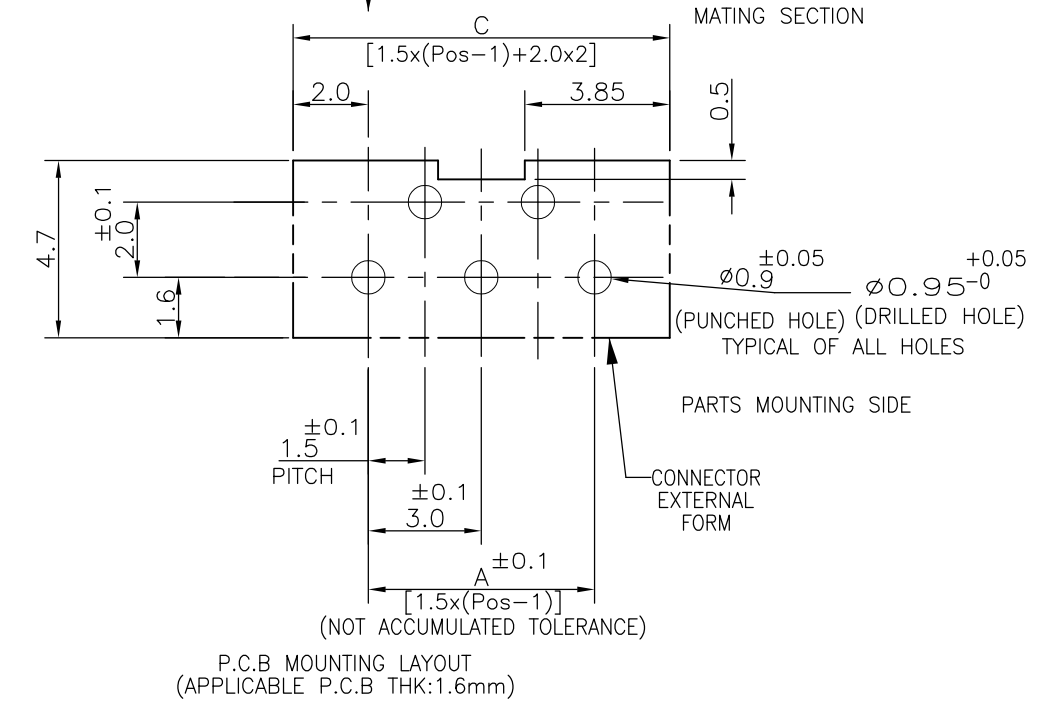
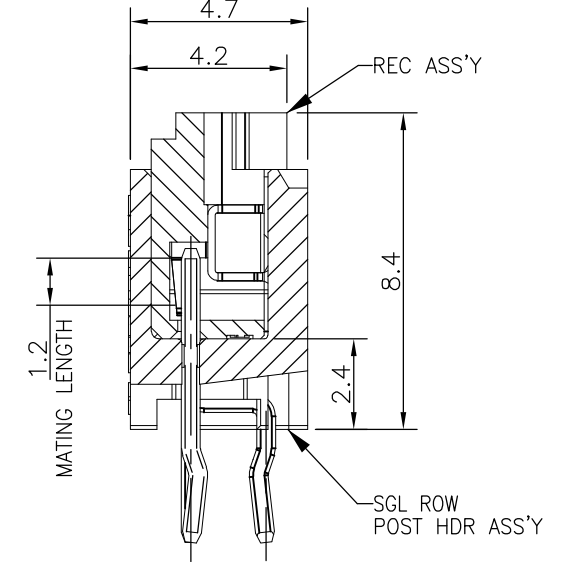
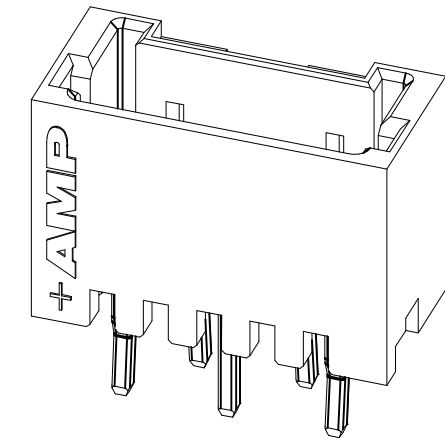
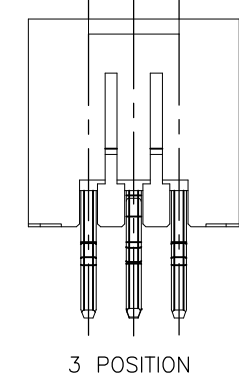
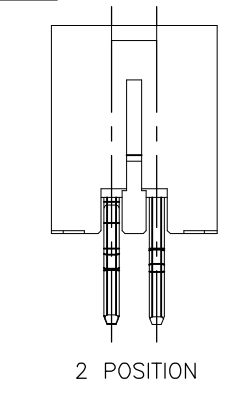
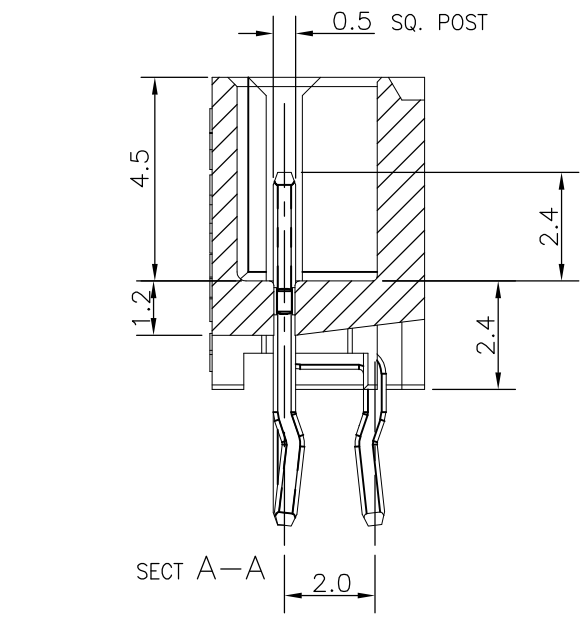
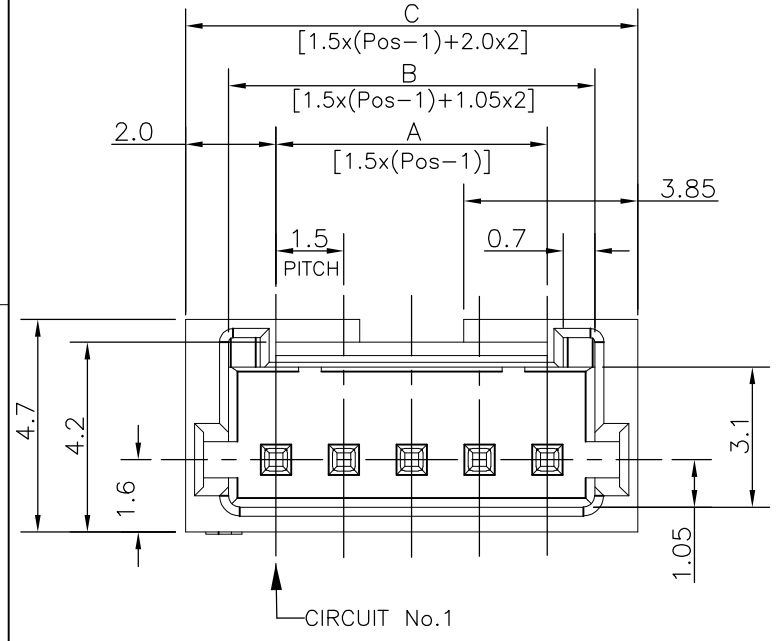


THIS DRAWING IS UNPUBLISHED. RELEASED FOR PUBLICATION
 © COPYRIGHT - By - ALL RIGHTS RESERVED.

LOC	DIST	REVISIONS					
ES	00	P	LTR	DESCRIPTION	DATE	DWN	APVD
			B1	REVISED PER ECO-11-005033	29MAR11	RK	HMR



KINKING FORMING BOTH SIDE EACH 2 PLACES TOTAL: 4 PLACES

NOTES:
 1. MATERIAL:
 HOUSING: NYLON(G.F.) UL94V-0, COLOR: GRAY
 POST: GOLD PLATED 0.5mm SQ. BRASS WIRE

TOLERANCES UNLESS OTHERWISE SPECIFIED:

10 >> *	:	±0.2
30 >> * > 10	:	±0.25
100 >> * > 30	:	±0.3
ANGLE	:	±3°

THIS DRAWING IS A CONTROLLED DOCUMENT.

DIMENSIONS:	TOLERANCES UNLESS OTHERWISE SPECIFIED:
mm	
	0 PLC ± -
	1 PLC ± -
	2 PLC ± -
	3 PLC ± -
	4 PLC ± -
	ANGLES ± -
MATERIAL	FINISH
SEE NOTE 1	SEE NOTE 1

DWN	S.XU	02JUN03		TE Connectivity			
CHK	S.YAO	02JUN03		NAME			
APVD	T. SASAKI	02JUN03		AMP Mini CT Connector 1.5mm Pitch			
PRODUCT SPEC	108 - 60018			Single Row Post HDR Ass'y (V) (GOLD-PLATING)			
APPLICATION SPEC	114 - 5223		DIP Staggered Type without Boss with Kink				
WEIGHT	SEE TABLE	A300779	C-292272	SIZE	CAGE CODE	DRAWING NO	RESTRICTED TO
CUSTOMER DRAWING				SCALE	-	SHEET	1 OF 2
				REV	B1		

LOC	DIST	REVISIONS					
ES	00	P	LTR	DESCRIPTION	DATE	DWN	APVD
		-		SEE SHEET 1	-	-	-


0.96	32.5	30.6	28.5	20	7-292272-0	2-292272-0
0.91	31.0	29.1	27.0	19	6-292272-9	1-292272-9
0.87	29.5	27.6	25.5	18	6-292272-8	1-292272-8
0.82	28.0	26.1	24.0	17	6-292272-7	1-292272-7
0.78	26.5	24.6	22.5	16	6-292272-6	1-292272-6
0.73	25.0	23.1	21.0	15	6-292272-5	1-292272-5
0.69	23.5	21.6	19.5	14	6-292272-4	1-292272-4
0.64	22.0	20.1	18.0	13	6-292272-3	1-292272-3
0.60	20.5	18.6	16.5	12	6-292272-2	1-292272-2
0.55	19.0	17.1	15.0	11	6-292272-1	1-292272-1
0.51	17.5	15.6	13.5	10	6-292272-0	1-292272-0
0.46	16.0	14.1	12.0	9	5-292272-9	292272-9
0.42	14.5	12.6	10.5	8	5-292272-8	292272-8
0.37	13.0	11.1	9.0	7	5-292272-7	292272-7
0.33	11.5	9.6	7.5	6	5-292272-6	292272-6
0.28	10.0	8.1	6.0	5	5-292272-5	292272-5
0.24	8.5	6.6	4.5	4	5-292272-4	292272-4
0.19	7.0	5.1	3.0	3	5-292272-3	292272-3
0.16	5.5	3.6	1.5	2	5-292272-2	292272-2
WEIGHT (g)	C	B	A	Pos.	BLUE	GRAY
	DIMENSIONS				P/N	

RELEASED FOR PUBLICATION

ALL RIGHTS RESERVED.

THIS DRAWING IS UNPUBLISHED.

By -
COPYRIGHT -

DIMENSIONS: mm TOLERANCES UNLESS OTHERWISE SPECIFIED: 0 PLC ± - 1 PLC ± SEE SHEET 2 PLC ± 1 OF 2 3 PLC ± - 4 PLC ± - ANGLES ± -	DWN -	MATERIAL -	FINISH -
	CHK -	 TE Connectivity	
APVD -	NAME Mini CT CONN.1.5mm Pitch S/R Post HDR (GOLD-PLATING) V DIP STAGGERED W/O BOSS W/KINK		
PRODUCT SPEC -	SIZE A4	CAGE CODE 00779	DRAWING NO C-292272
APPLICATION SPEC -	RESTRICTED TO -		
WEIGHT -	CUSTOMER DRAWING		SCALE NON SHEET 2 OF 2 REV B1