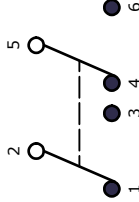


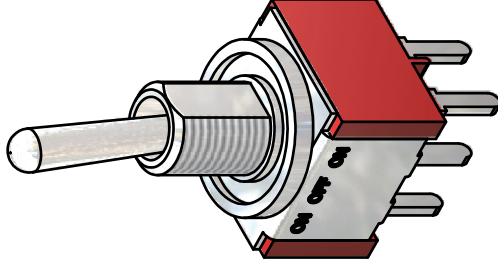
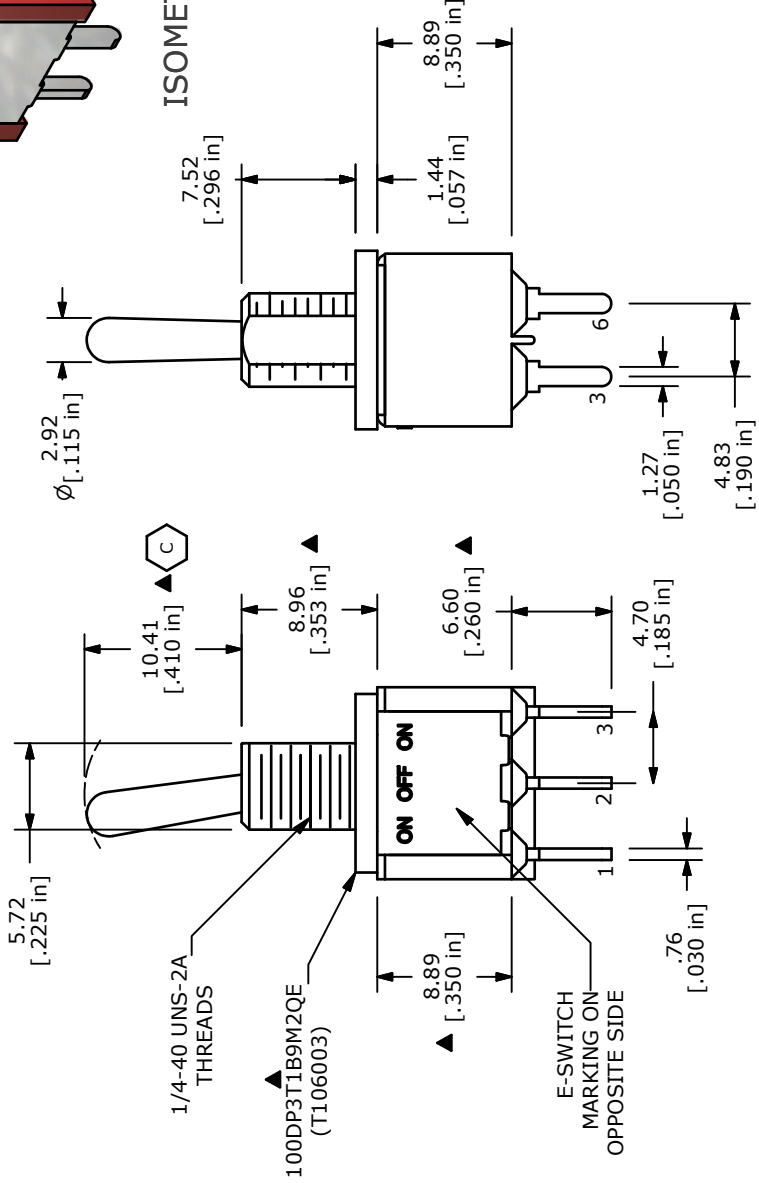
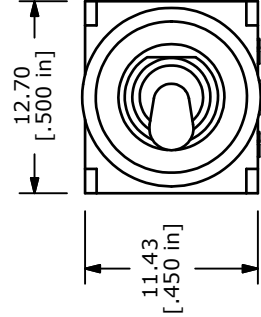
P.C.B. LAYOUT

SWITCH FUNCTION	POS. 1	POS. 2	POS. 3
ON		OFF	ON
2-3,5-6	OPEN		2-1,5-4



CIRCUIT: DPDI

- NOTE:
- ALL DIMENSIONS IN MM [INCH]
 - GENERAL TOLERANCE: X.X=±0.4
X:XX=±0.25
 - TERMINAL NUMBERS FOR REF ONLY
 - PLATING MATERIAL: SILVER
 - RATING: 5 AMPS @ 120VAC OR 28VDC
2 AMPS @ 250VAC
 - ELECTRIC LIFE: 40,000 make-and-break cycles at full load.
 - INSULATION RESISTANCE: 1,000 Mega-ohm min.
 - DIELECTRIC STRENGTH: 1,000 V RMS @sea level.
 - OPERATING TEMP.: -30°C to 85°C
 - HARDWARE TO BE SHIPPED BULK
T100000 - HEXNUT - QTY 2
T100011 - LOCKWASHER - QTY 1
T100002 - LOCKRING - QTY 1
T100016 - O-RING - QTY 1
 - ▲ DENOTES CRITICAL PARAMETER.



ISOMETRIC



TITLE 100DP3T1B9M2QE

REV	PCR NO	DESCRIPTION	DATE	BY
C	19539	UPDATE DRAWING	12/21/10	BGL
B	15063	CORRECTED NOTE #10	7/11/05	JB
A	14968	RELEASED FOR PRODUCTION	6/1/05	JB

THE INFORMATION CONTAINED IN THIS DOCUMENT IS PROPRIETARY TO E-SWITCH AND IS NOT TO BE COPIED OR TRANSFERRED

SCALE 2:1

DATE 6/1/2005

DR JB

DWG ST106003

REV C