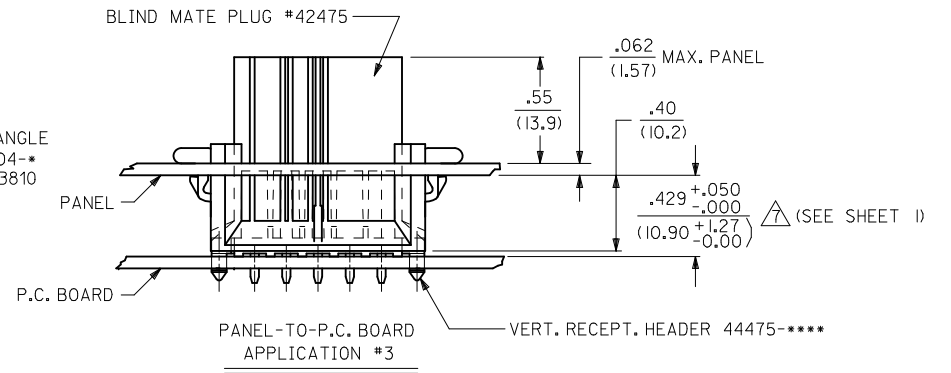
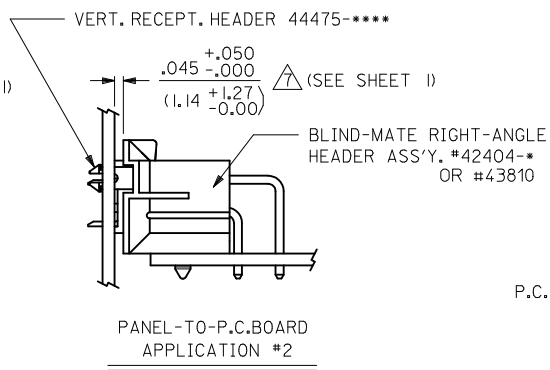
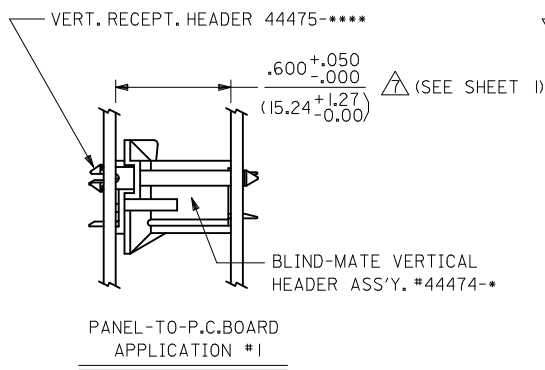


ALIGNMENT TOLERANCES FOR .100 MAX. BOARD-TO-BOARD MISALIGNMENT  
(NO CONNECTOR FLOAT)



SEE NOTE 15

SEE SHEET 1 EC NO: UCP2012-3941 DRW: NGUYEN 2012/06/20 CHKD: BELL 2012/06/20 APPR: FSMITH 2012/06/25 REV: D1	QUALITY SYMBOLS ∇=0 ∇=0 ∇=0	GENERAL TOLERANCES (UNLESS SPECIFIED) <table border="1"> <tr> <th></th> <th>mm</th> <th>INCH</th> </tr> <tr> <td>4 PLACES</td> <td>± .010</td> <td>± .0004</td> </tr> <tr> <td>3 PLACES</td> <td>± .015</td> <td>± .0005</td> </tr> <tr> <td>2 PLACES</td> <td>± .025</td> <td>± .0010</td> </tr> <tr> <td>1 PLACE</td> <td>± .038</td> <td>± .0015</td> </tr> </table> ANGULAR ± 5°		mm	INCH	4 PLACES	± .010	± .0004	3 PLACES	± .015	± .0005	2 PLACES	± .025	± .0010	1 PLACE	± .038	± .0015	DIMENSION STYLE IN/MM DRAWN BY: GEP DATE: 1994/08/10 CHECKED BY: RJF DATE: 1994/08/10 APPROVED BY: FSMITH DATE: 2011/10/11	SCALE: 4:1 DESIGN UNITS: METRIC THIRD ANGLE PROJECTION	TITLE: VERT HEADER RECEPT ASSY BLIND MATE MINI-FIT HCS SERIES MOLEX INCORPORATED DOCUMENT NO. SDA-44475-**** SHEET NO. 2 OF 3
		mm	INCH																	
	4 PLACES	± .010	± .0004																	
	3 PLACES	± .015	± .0005																	
2 PLACES	± .025	± .0010																		
1 PLACE	± .038	± .0015																		
DRAFT WHERE APPLICABLE MUST REMAIN WITHIN DIMENSIONS		SEE SHEET 3	THIS DRAWING CONTAINS INFORMATION THAT IS PROPRIETARY TO MOLEX INCORPORATED AND SHOULD NOT BE USED WITHOUT WRITTEN PERMISSION																	

