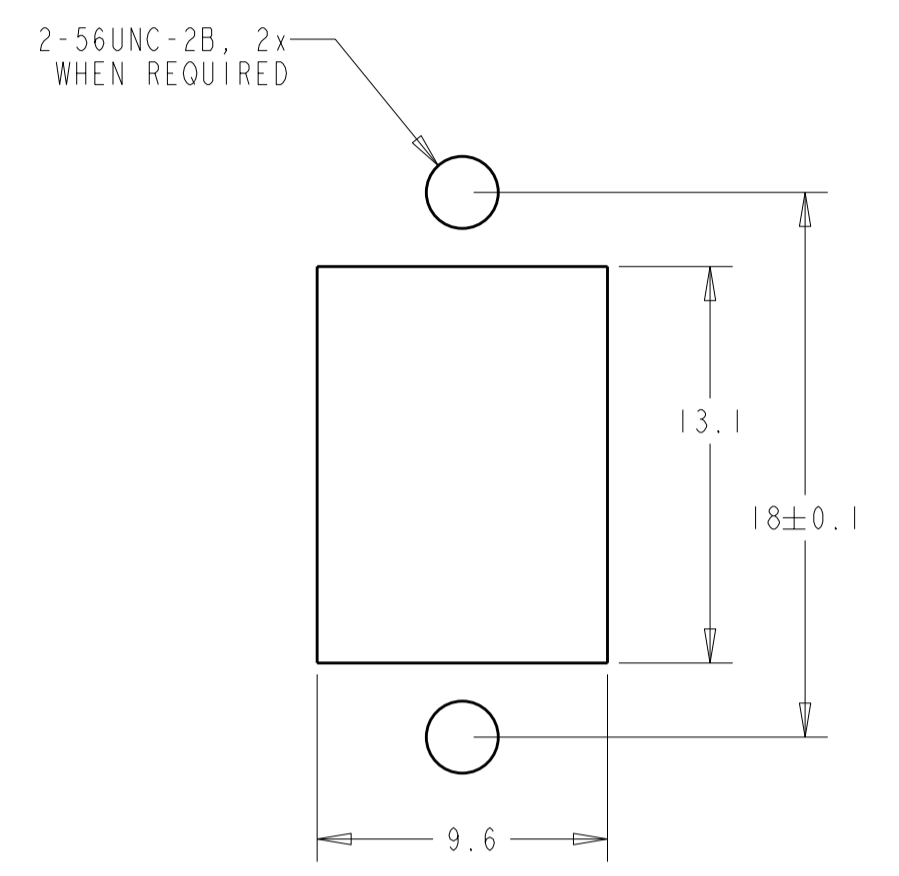
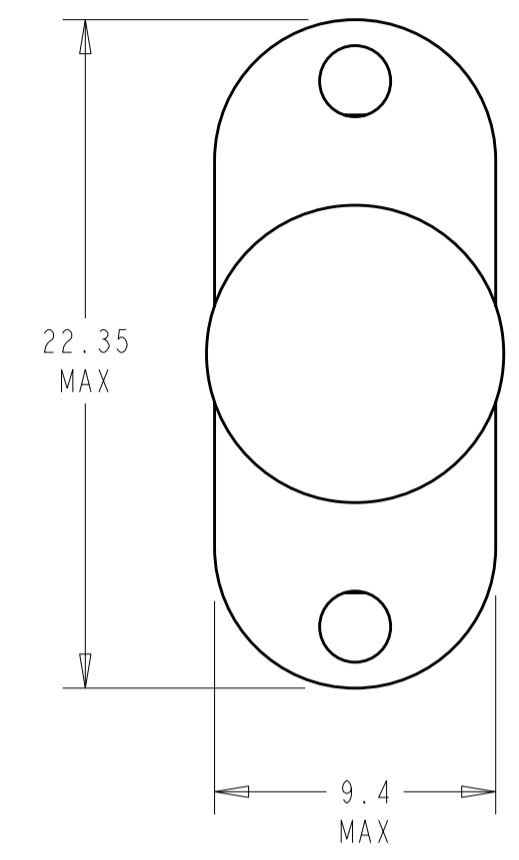
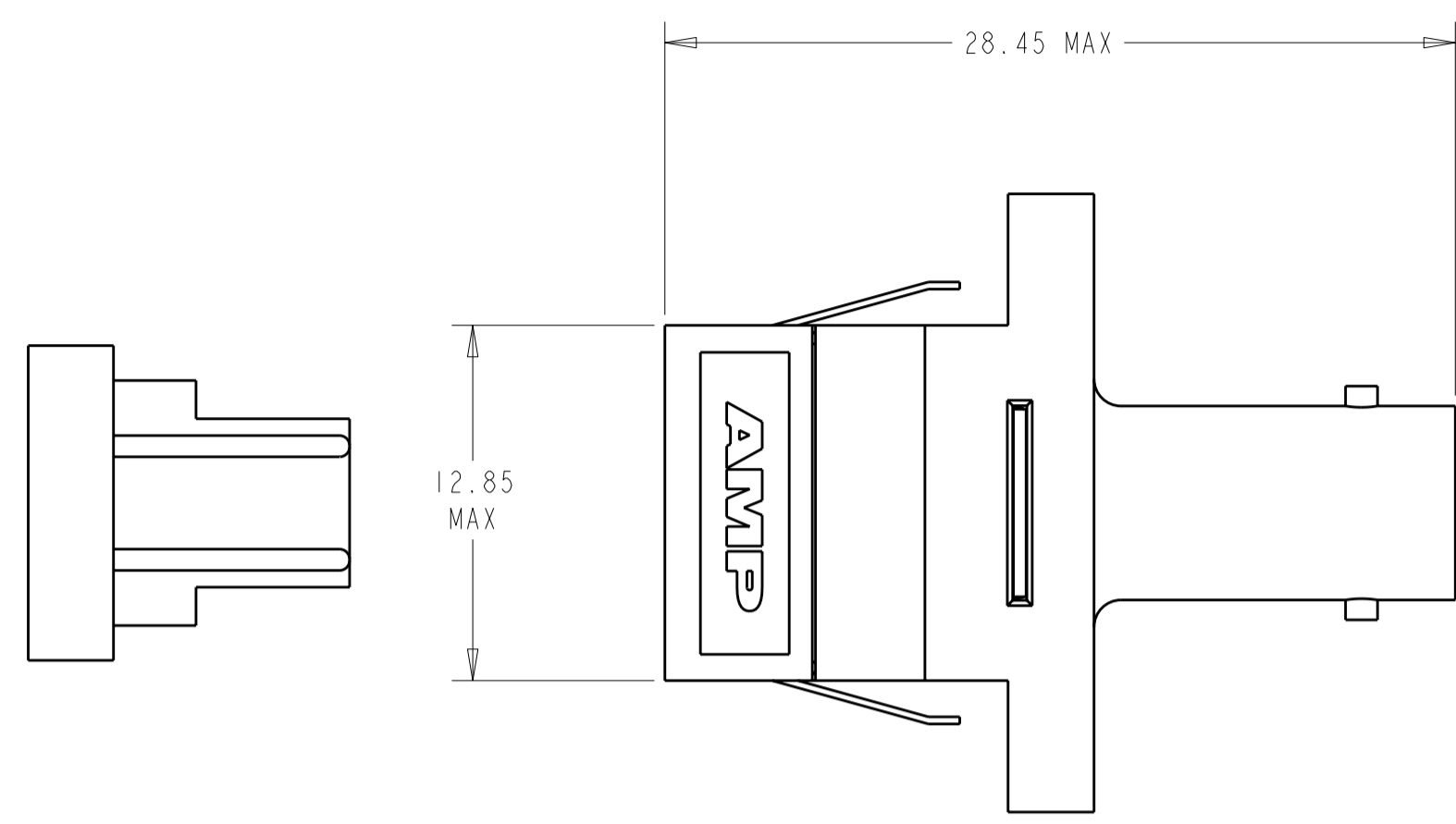
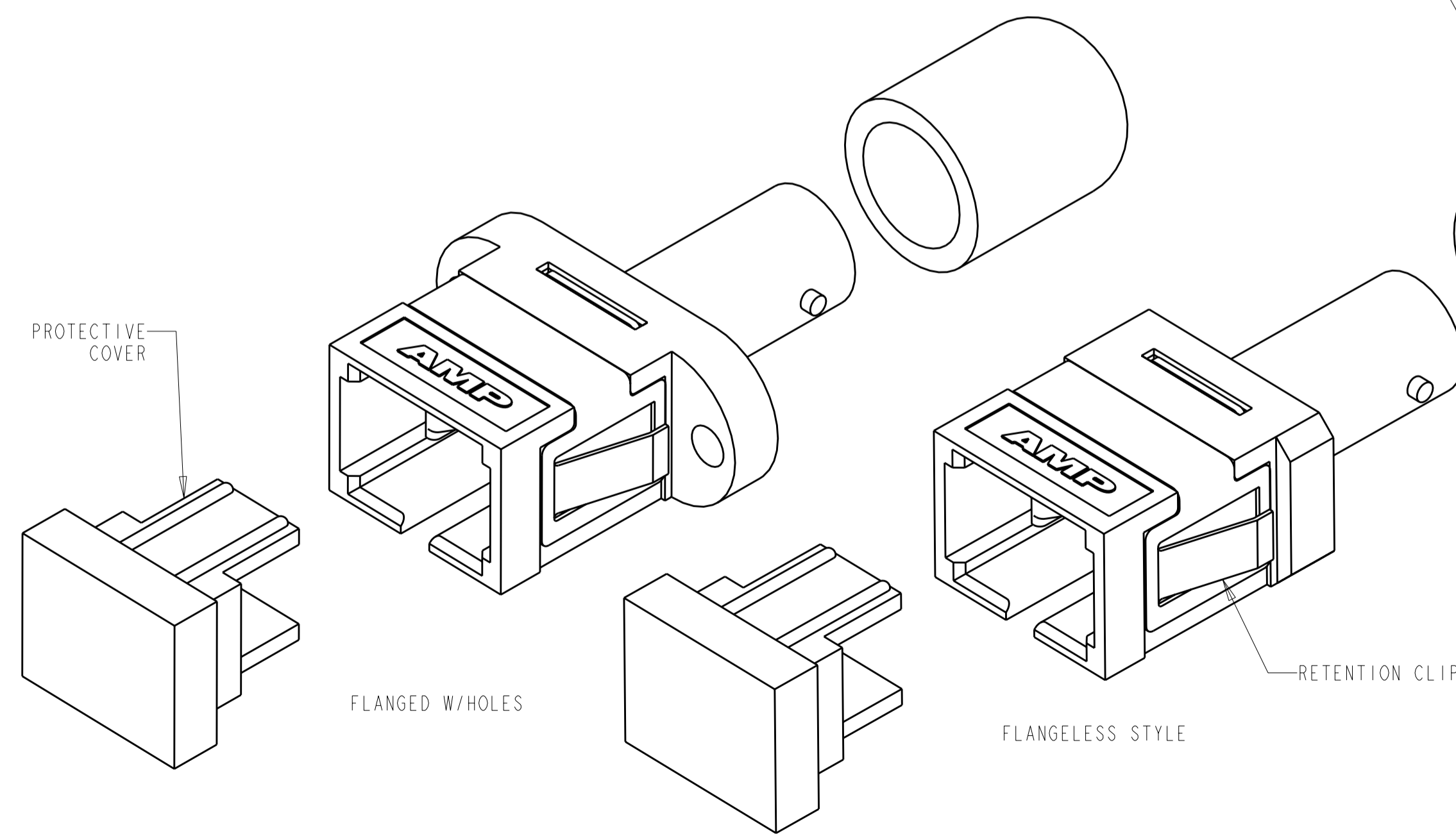
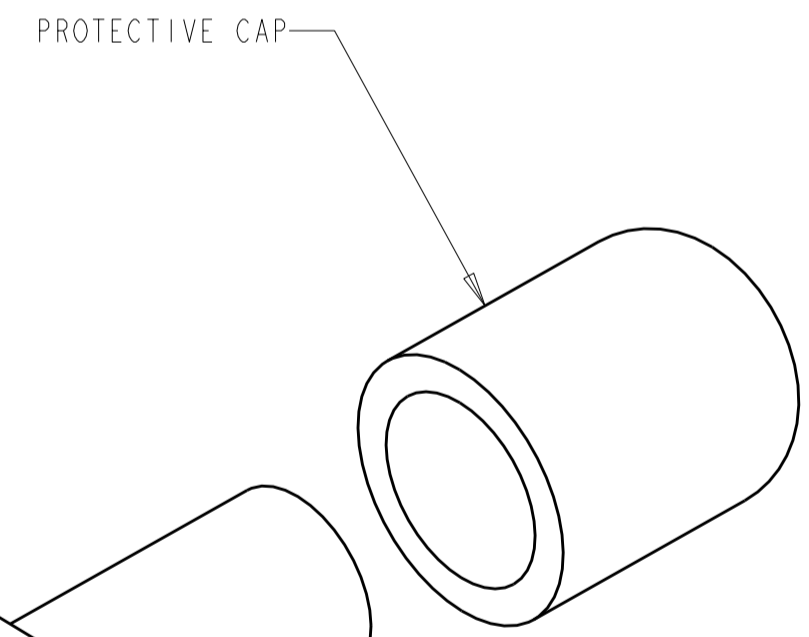


THIS DRAWING IS UNPUBLISHED. RELEASED FOR PUBLICATION
 © COPYRIGHT 19 BY TYCO ELECTRONICS CORPORATION. ALL RIGHTS RESERVED.

LOC	DIST	REVISIONS			
P	LTR	DESCRIPTION	DATE	DWN	APVD
CE	00	A	RELEASE TO ACTIVE	07JUN2006	BB SM



- 1 MATERIAL:
 HOUSING: DIECAST ZINC, NICKEL PLATED.
 ALIGNMENT SLEEVE: SEE DASH NOS.
 PROTECTIVE COVER: TPE, COLOR: BLACK.*
 RETENTION CLIP: STAINLESS STEEL.
 PROTECTIVE CAP: VINYL.
 RETAINER: PEI-GF30, COLOR: BLACK.*
 *UL94 V-0 RATED AT QUALIFYING THICKNESS.
- 2 BULK PACKAGE.



2	CERAMIC	FLANGED W/HOLES, NO CLIP	1-6278350-1
2	METAL	FLANGED W/HOLES, NO CLIP	6278350-9
2	CERAMIC	FLANGELESS	6278350-8
	CERAMIC	FLANGELESS	6278350-7
	METAL	FLANGELESS	6278350-5
	CERAMIC	FLANGED W/HOLES	6278350-3
	METAL	FLANGED W/HOLES	6278350-1
	ALIGNMENT SLEEVE	DESCRIPTION	PART NO

<small>THIS DRAWING IS A CONTROLLED DOCUMENT FOR TYCO ELECTRONICS CORPORATION. IT IS SUBJECT TO CHANGE AND THE CONTROLLING ENGINEERING ORGANIZATION SHOULD BE CONTACTED FOR THE LATEST REVISION.</small>		DWN B. BRIGGS 18MAY2005 CHK S. MILLER 18MAY2005 APVD S. BUCHTER 18MAY2005	AMP AMP Incorporated Harrisburg, PA 17105-3608
DIMENSIONS: mm 		PRODUCT SPEC APPLICATION SPEC WEIGHT	NAME ASSEMBLY, SIMPLEX RECEPTACLE, SC/ST DIECAST HOUSING SIZE A2 CAGE CODE 00779 DRAWING NO. 6278350 RESTRICTED TO
TOLERANCES UNLESS OTHERWISE SPECIFIED: 0 PLC ± 1 PLC ±0.1 2 PLC ±0.05 3 PLC ± 4 PLC ± ANGLES ± FINISH -		CUSTOMER DRAWING	SCALE 4:1 SHEET 1 OF 1 REV A