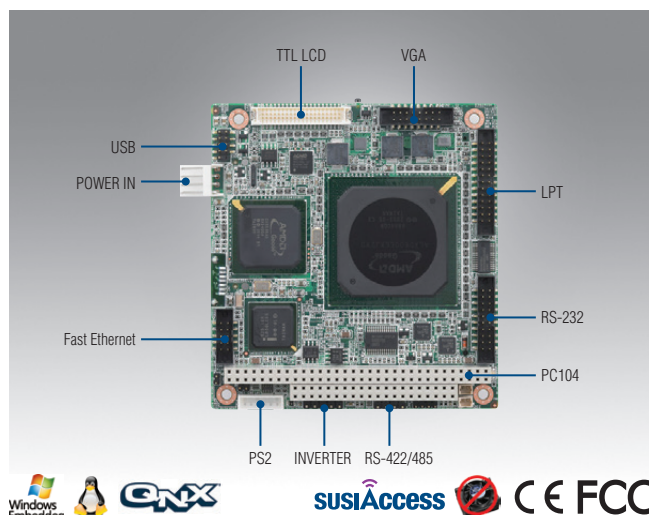


PCM-3355

AMD LX800/LX600 PC/104 SBC, VGA, TTL, Ethernet, USB, COM, CF



Features

- AMD low power LX800/500 MHz and LX600/366 MHz Processor
- 24-bit TFT LCD interface
- Supports compact size 96 x 90 mm PC/104 standard dimensions
- Supports two RS-232, one RS-422/485, and two USB 2.0 ports
- Supports SUSIAccess and Embedded Software APIs

Software APIs:



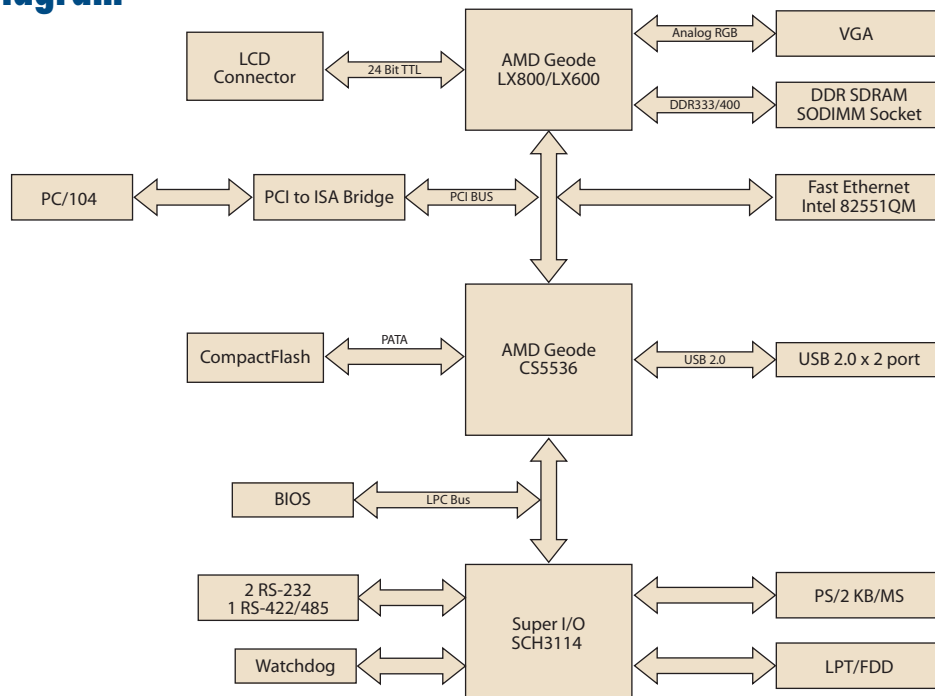
Utilities:



Specifications

| | | |
|--------------------------|--------------------------------------|--|
| Processor System | CPU | AMD Geode™ LX800, 500 MHz/AMD Geode™ LX600, 366 MHz |
| | Frequency | 500 MHz/ 366 MHz |
| | L2 Cache | 128 KB |
| | System Chipset | AMD CS5536 |
| | BIOS | Award 4-Mbit |
| Memory | Technology | DDR 333/400 MHz |
| | Max. Capacity | 1 GB |
| | Socket | 1 x 200-pin SODIMM |
| Display | Chipset | AMD Geode LX800/LX600 |
| | VRAM | Optimized Shared Memory Architecture up to 64 MB system memory |
| | VGA | Supports up to 1920 x 1440 x 32 bpp at 85 Hz Supports up to 1600 x 1200 x 32 bpp at 100 Hz |
| | TTL LCD | Supports up to 1600 x 1200 x 32 bpp at 60 Hz for 24-bit single channel TFT |
| | Dual Display | VGA+TTL |
| Ethernet | Speed | 10/100 Mbps |
| | Controller | Intel 82551QM |
| | Connector | Box Header |
| Watchdog Timer | | Output System Reset Programmable counter from 1 ~ 255 minutes/ seconds |
| Storage | CompactFlash | CompactFlash socket (Type I) |
| | Floppy | 1, 82077AA compatible (transfer from LPT, available by custom BIOS) |
| Internal I/O | USB | 2 x USB 2.0 |
| | Serial | 2 RS-232 from COM1/2, 1 RS-422/485 from COM3 with RS-485 auto flow control (ESD protection for RS-232: Air gap ±15kV, Contact ±8kV) |
| | Parallel (LPT) | 1, IEEE 1284, EPP, and ECP compatible (FDD mode supported) |
| | SMBus | 1 |
| | Keyboard/Mouse | 1 |
| | Expansion | PC/104 Slot |
| Power | Power Type | AT |
| | Power Supply Voltage | 5V ± 5% only to boot up (12 V is optional for LCD inverter and add on card) |
| | Power Consumption (Typical) | LX800: 1.45 A @ +5 V, 2 mA @ +12 V (7.27 Watts) |
| | Power Consumption (Max, test in HCT) | LX800: 1.74 A @ +5 V, 0.1 A @ +12 V (9.9 Watts) |
| | Power Management | ACPI/ APM1.2 |
| | Battery | Lithium 3 V/210 mAH |
| Environment | Operational | 0 ~ 60° C (32 ~ 140° F) (Operational humidity: 40° C @ 85% RH non-condensing) |
| | Non-Operational | -40° C ~ 85° C and 60° C @ 95% RH non-condensing |
| Physical Characteristics | Dimensions (L x W) | 96 x 90 mm (3.8" x 3.5") |
| | Weight | 0.556 kg (1.22 lb) |
| | Height | Top side: 8.7 mm; Bottom side: 10.6 mm |

Block Diagram



Ordering Information

| Part No. | CPU | Memory | TTL | Fast Ethernet | USB2.0 | RS-232 | RS-422/485 | Expansion | Thermal Solution | Operating Temp. |
|--------------------|-----------|---------------|--------|---------------|--------|--------|------------|-----------|------------------|-----------------|
| PCM-3355E-LOA1E | AMD LX800 | SODIMM | 24-bit | 1 | 2 | 2 | 1 | PC/104 | Passive | 0 ~ 60° C |
| PCM-3355L-JOA1E | AMD LX600 | SODIMM | 24-bit | 1 | 2 | 2 | 1 | PC/104 | Passive | 0 ~ 60° C |
| PCM-3355EZ-512LA1E | AMD LX800 | 512 MB bundle | 24-bit | 1 | 2 | 2 | 1 | PC/104 | Passive | -20 ~ 80° C |
| PCM-3355EZ2512LA1E | AMD LX800 | 512 MB bundle | 24-bit | 1 | 2 | 2 | 1 | PC/104 | Passive | -40 ~ 85° C |

Note: Wide temperature version is bundled with extended temperature grade memory module

Note: Passive = fanless; Active = with fan

Packing List

| Part No. | Description | Quantity |
|----------------|--|----------|
| | PCM-3355 SBC | |
| | Startup Manual | |
| | Utility CD | |
| 1700060202 | Cable 6P-6P-6P PS/2 KB & Mouse 20 cm | 1 |
| 1700260250 | LPT Port cable 25P to 26P 2.0 mm 25 cm | 1 |
| 1703040157 | RS-422/485 W/D-SUB COM 4P 15 cm | 1 |
| 1703060053 | PS2 Cable 6P (MINI-DIN)-6P (Wafer 2.0 mm) 6 cm | 1 |
| 1703100121 | USB 2-Port cable 10P 12 cm IDC 2.0 mm | 1 |
| 1701200220 | RS-232 x 2 ports 2.0 mm 22 cm | 1 |
| 1701160150 | VGA cable 15P to 16P 2.0 mm D-SUB 15 cm | 1 |
| 1700005158 | LAN cable RJ-45 10P-2.0 mm 12 cm | 1 |
| 9660104000 | PC/104 screw and copper post package | 1 |
| 1960016313T000 | Heatsink for PCM-3355 (LX800/ LX600, 47.1 x 47.1 x 7.5 mm) | 1 |
| 1960016315T000 | Heatsink for PCM-3355 (CS5536, 22.7 x 22.8 x 6.3 mm) | 1 |

Optional Accessories

| Part No. | Description |
|------------|------------------------------------|
| 165313222B | PC/104 connector 64-pin (Long pin) |
| 165312022B | PC/104 connector 40-pin (Long pin) |
| 1700001531 | LPT to FDD cable |

Embedded OS/API

| Embedded OS/API | Part No. | Description |
|-----------------|------------|---|
| WinCE | 2070007869 | Image CE 6.0 Pro PCM-3355 V1.2 ENG |
| | 2070007790 | XPE WES2009 PCM-3355 Image GX3 V4.0 ENG |
| Win XPE | 2070007910 | XPE WES2009 GX3 LX800 V4.0 MUI24 |
| | | 6.4.1 |
| Linux | | Ubuntu 10.04.1 |
| VxWorks | | 5.5 |
| Software API | 205E000019 | SUSI 3.0 SW API for ESBC B: 20091116 XP |