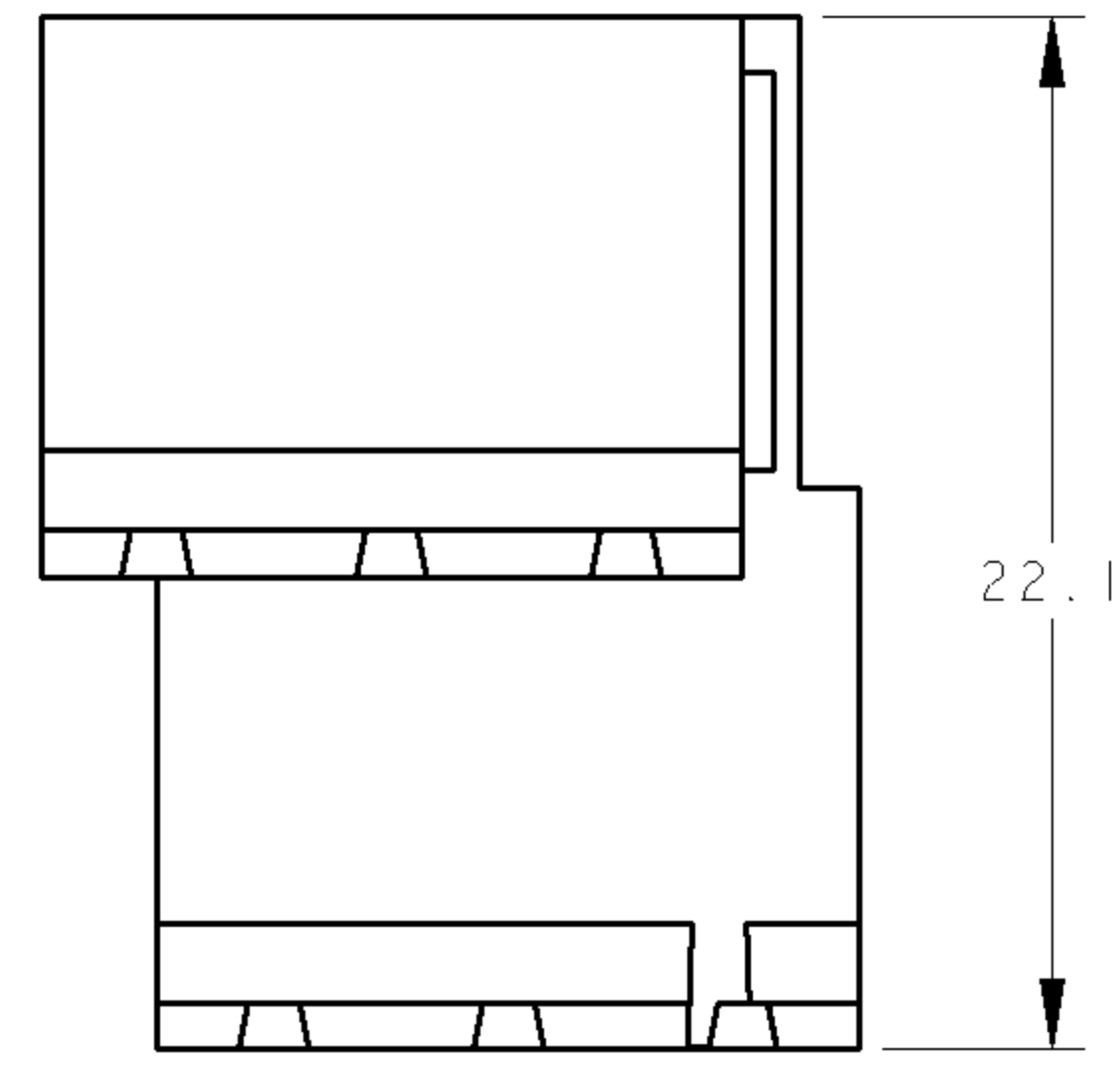
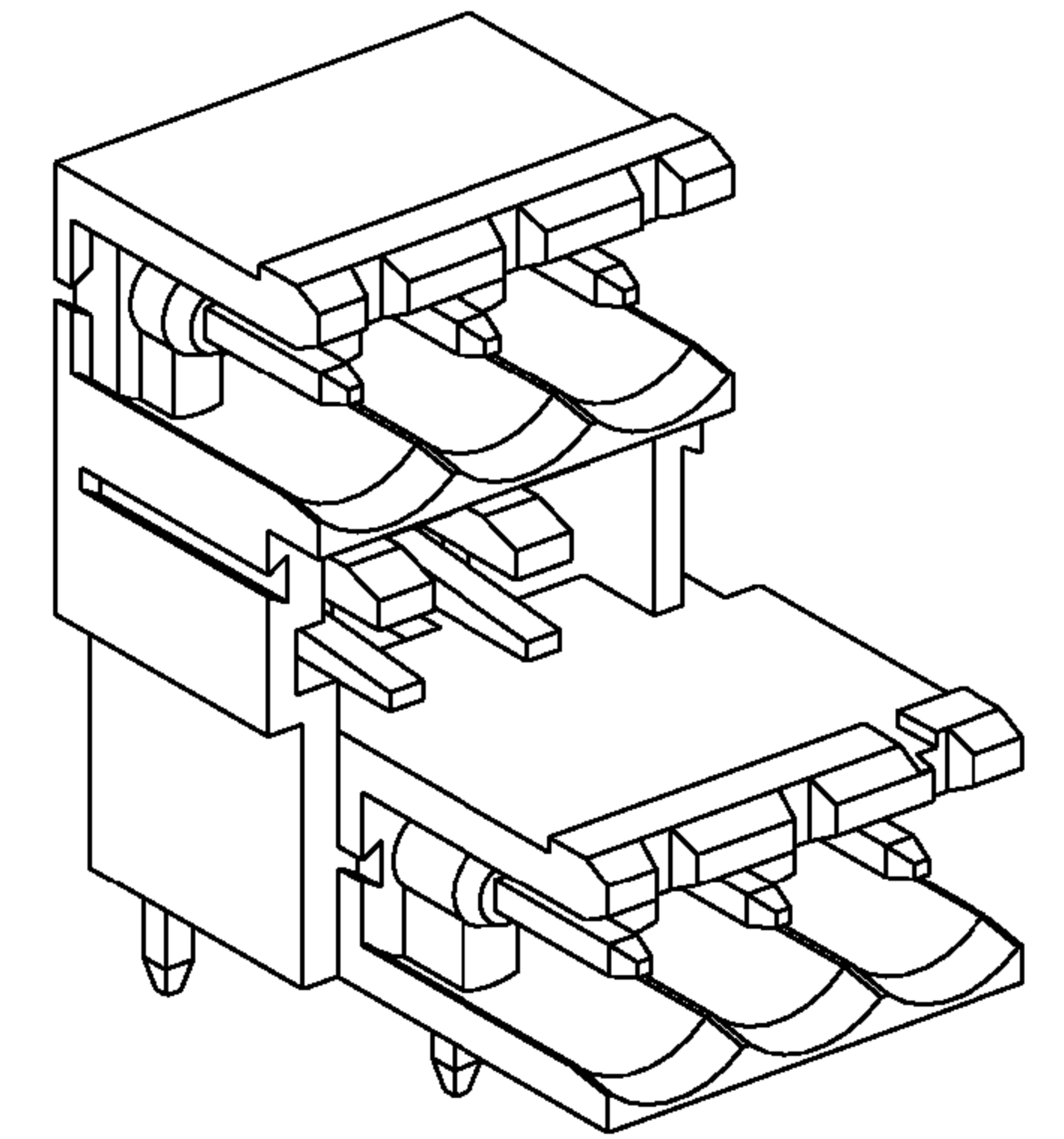


THIS DRAWING IS UNPUBLISHED. RELEASED FOR PUBLICATION 20  
 © COPYRIGHT 20 BY TYCO ELECTRONICS CORPORATION. ALL RIGHTS RESERVED.

LOC	DIST	REVISIONS			
P	LTR	DESCRIPTION	DATE	DWN	APVD
		B	REVISED PER 0G3B-0119-01	04JAN2002	EZ DB
		C	<b>OBSOLETE</b>	20MAY2010	A.G. G.T

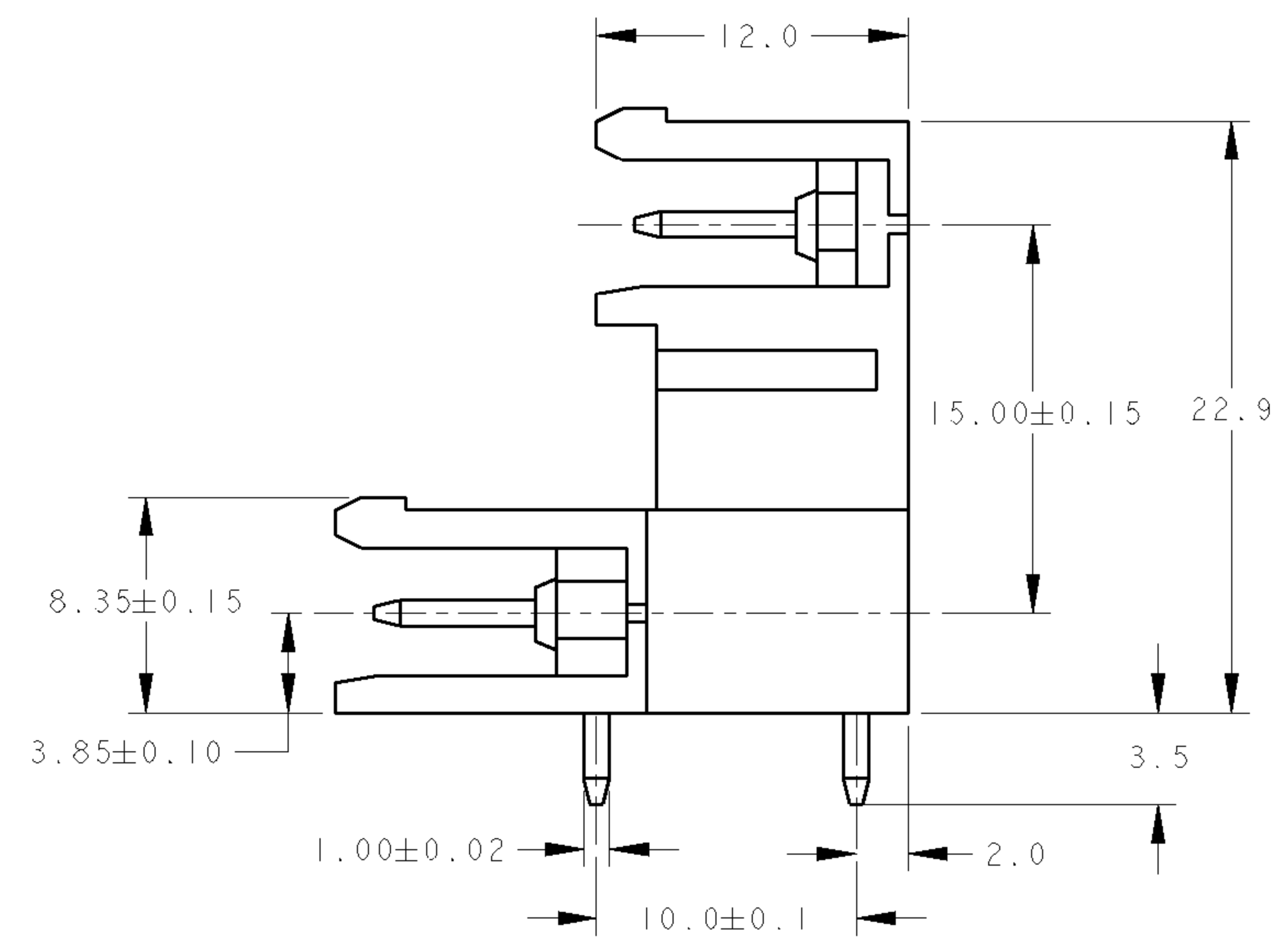
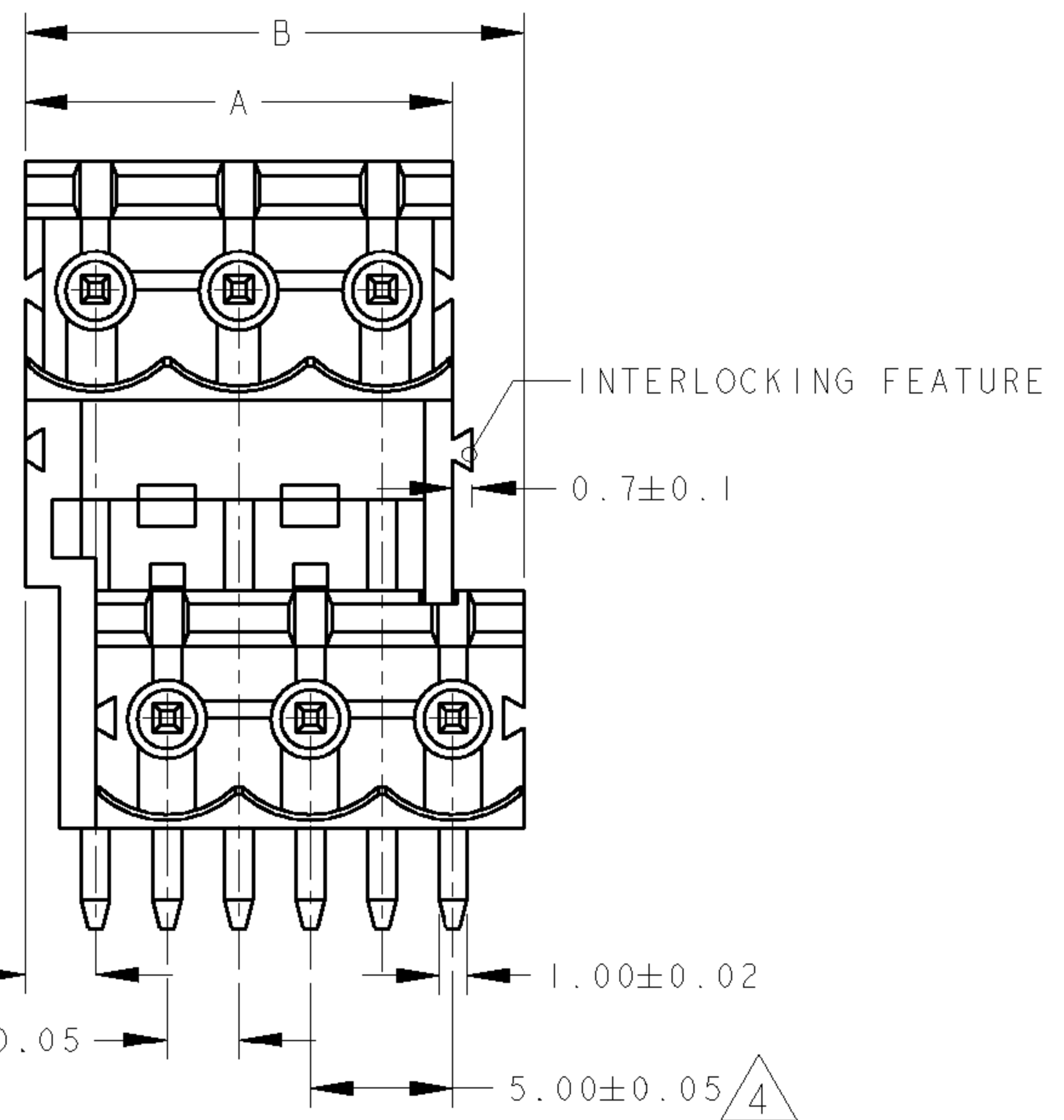


- 1 MATERIALS AND FINISH  
 HOUSING: PA 6-6, UL 94-V0, COLOR GREEN.  
 TERMINAL: PHOSPHOR BRONZE, TIN PLATED.
- 2 SUITABLE FOR 1,6-2,4mm PC BOARD THICKNESS.
- 3 END-TO-END STACKABLE WITHOUT LOSS OF CENTERLINE SPACING.
- 4 NOT CUMULATIVE TOLERANCE.



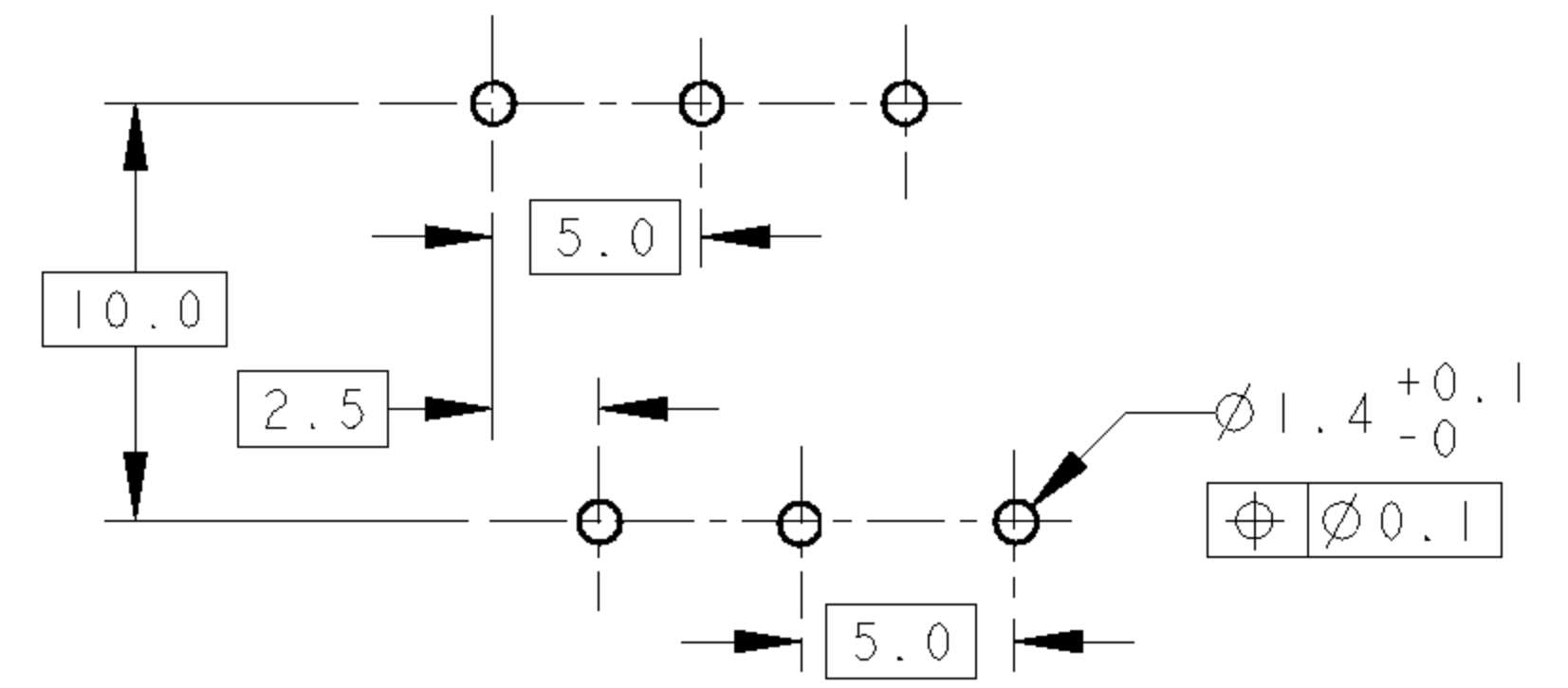
284052-3 AS SHOWN

**OBSOLETE**



DIM."A"	DIM."B"	N° OF TOTAL POS.	PART NUMBER
15	17,5	3	284052-3
10	12,5	2	284052-2

RECOMMENDED PC BOARD LAYOUT



<small>THIS DRAWING IS A CONTROLLED DOCUMENT FOR TYCO ELECTRONICS CORPORATION          IT IS SUBJECT TO CHANGE AND THE CONTROLLING ENGINEERING ORGANIZATION          SHOULD BE CONTACTED FOR THE LATEST REVISION.</small>		DWN 04JAN2002 E. ZANOLINI CHK 04JAN2002 E. ZANOLINI APVD 04JAN2002 D. BIEVENOUR		<b>BUCHANAN</b> Tyco Electronics Harrisburg, PA 17105-3608	
DIMENSIONS: mm		TOLERANCES UNLESS OTHERWISE SPECIFIED: 0 PLC ±- 1 PLC ±.3 2 PLC ±.25 3 PLC ±- 4 PLC ±- ANGLES ±2		NAME TERMINAL BLOCK MULTIPLE HEADER ASSEMBLY 90° STACKING W/INTERLOCK 5.0mm PITCH	
MATERIAL		FINISH		PRODUCT SPEC - APPLICATION SPEC - WEIGHT -	
CUSTOMER DRAWING		SIZE A3 CAGE CODE 00779 C=284052		RESTRICTED TO -	
		SCALE 3:1		SHEET 1 OF 1 REV C	