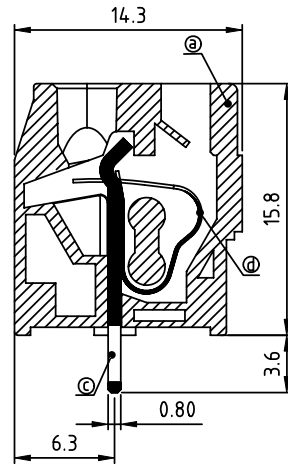
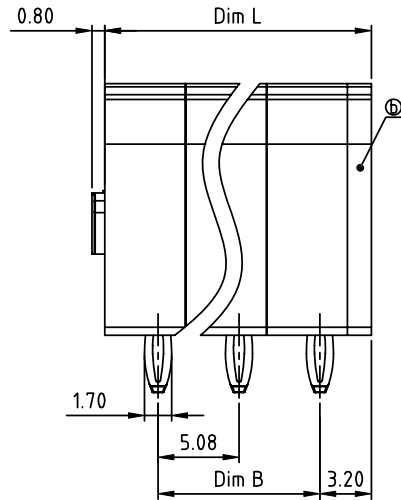
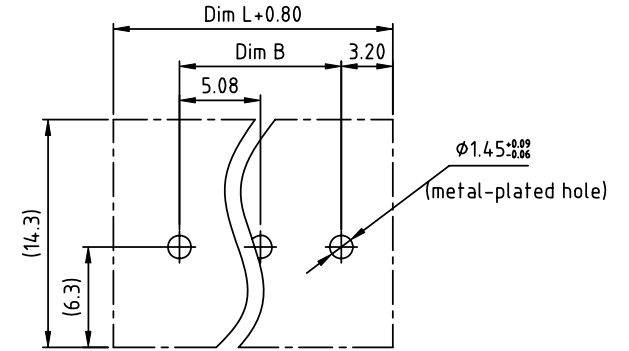
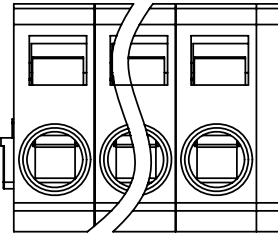


PRODUCT NUMBER	PITCH
HMxx50x100J0G	5.08mm



RECOMMENDED P.C.B LAYOUT
TOP VIEW

Material:

- Item \textcircled{A} Insulator body: Thermoplastic (UL94V-0)
- Item \textcircled{B} Insulating cover: Thermoplastic (UL94V-0)
- Item \textcircled{C} Solder pin: Brass, Tin plated
- Item \textcircled{D} Wire guard: Stainless steel

Electrical:

- Voltage rating: 250V
- Current rating: 8A
- Wire range:
- Solid wire(AWG): 12-28
- Stranded wire(AWG): 12-28
- Wire strip length: 8-9mm
- Withstanding Voltage: 1.5KV
- Operating temperature: -40°C to +115°C
- Safety Approval:

N=Number of poles
Dim L=N×5.08+1.5
Dim B=(N-1)×5.08

Poles	Dim L	Dim B
1p	±0.15	
2-6p	±0.20	±0.15
7-12p	±0.30	±0.25
13-18p	±0.40	±0.35
19-24p	±0.45	±0.40

PART NO.: HM xx 50 x 100J0 G

No. of poles	Color	RoHS compliant (lead<4%) In copper Alloy
0	Black (RAL9005)	
End Stackable 2	Red (RAL3001/D)	
01 1 poles	3 Orange(RAL2011/P)	
02 2 poles	4 Yellow(RAL1018/A)	
...	5 Green(RAL6018/T)	
24 24 poles	6 Blue (RAL5015/A)	
	8 Grey(RAL7004/P)	
	9 White(RAL1102)	
C	Multiple colors	

mat'l. code				surface ASME Y14.5	tolerance ASME Y14.5	projection	product family TERMINAL BLOCK
ltr	ecn no	dr	date	tolerances unless otherwise specified			title TERMINAL BLOCK SPRING CLAMP, 90D WIRE INLET, PRESS FIT
				angles	X.±0.5		
				flatness	X.X±0.3	scale	dwg no HMxx50x100J0G
				X*±1*	X.XX±0.1		
				dr	EVIN ZHONG 052914		size A4
				enr	EVIN ZHONG 052914		
				chr	HANKE FENG 052914		
				appd	SHI JUN 052914		
sheet index	revision	A					type CUSTOMER Drawing