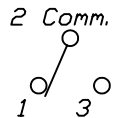
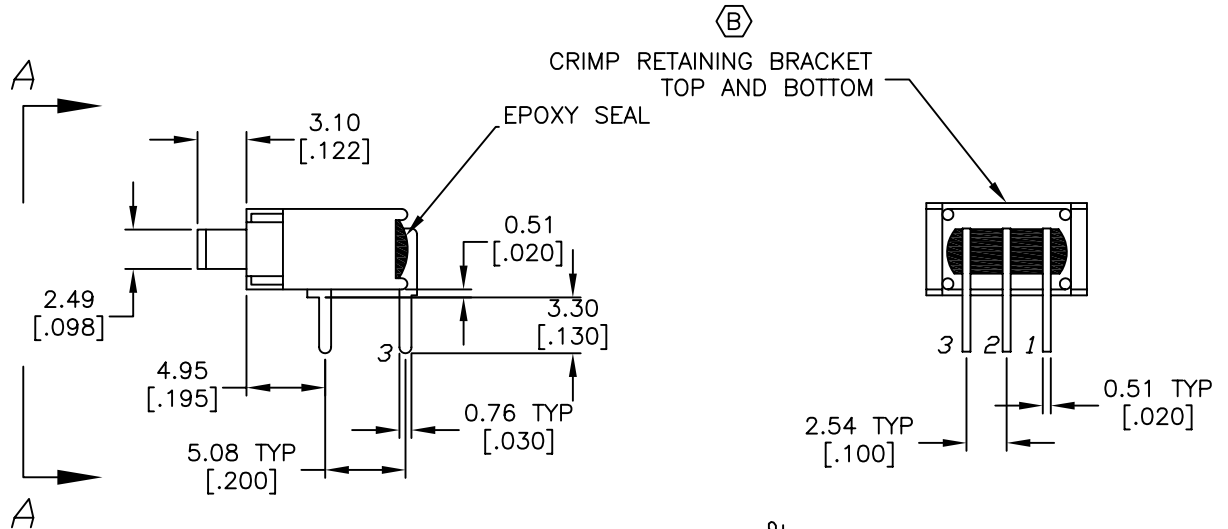


RECOMMENDED P.C.B. LAYOUT

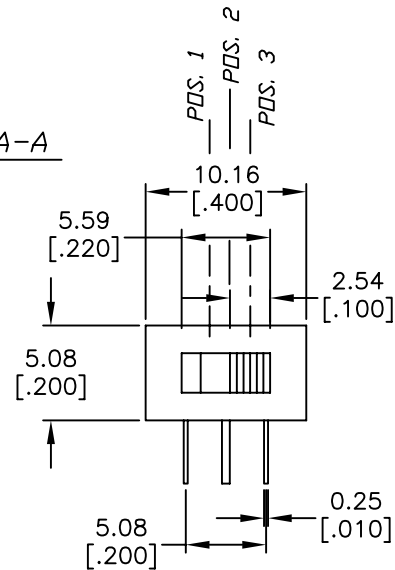


CONTACT CONFIGURATION

SPDT



VIEW A-A



NOTES:

1. ALL DIMENSIONS IN MM [INCH]
2. GENERAL TOLERANCE: X.X=±0.4
X.XX=±0.25
3. TERM. NOS. FOR REF. ONLY
4. RATING: 0.4 VA MAX @ 20 V AC OR DC MAX
- ▲ 5. FIXED AND MOVING CONTACTS:
COPPER ALLOY W/ GOLD PLATE OVER NICKEL PLATE
6. ELECTRICAL LIFE: 30,000 ACTUATIONS AT FULL LOAD
7. INSULATION RESISTANCE: 1,000MΩ MIN.
8. DIELECTRIC STRENGTH: 1,000V RMS @sea level.
9. OPERATING TEMP.: -30°C to 85°C.
10. CRIMP METAL RETAINING BRACKET (B)

SWITCH FUNCTION		
PDS. 1	PDS. 2	PDS. 3
ON	OFF	ON
2-1	OPEN	2-3

E-SWITCH®

B 14983		CREATED NOTES		7/5/05	JB	TITLE				
A 11724		RELEASED FOR PRODUCTION		10/10/01	CJC	500A SSP3 M6 R E				
REV.	ECN No.	DESCRIPTION		DATE	CHKD	SCALE	DATE	DR	DWG	REV
		THE INFORMATION CONTAINED IN THIS DOCUMENT IS PROPRIETARY TO E-SWITCH AND IS NOT TO BE COPIED OR TRANSFERRED				2:1	10/10/01	CJC	T551306	B