

PRODUCT NUMBER	PITCH
H5xx50x100J0G	5.08 mm

Dimension

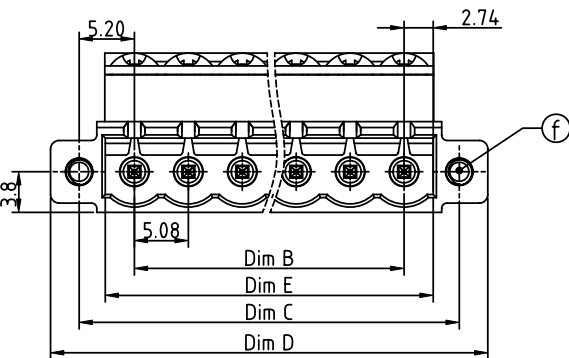
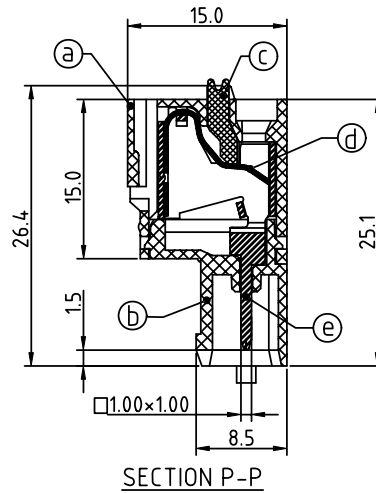
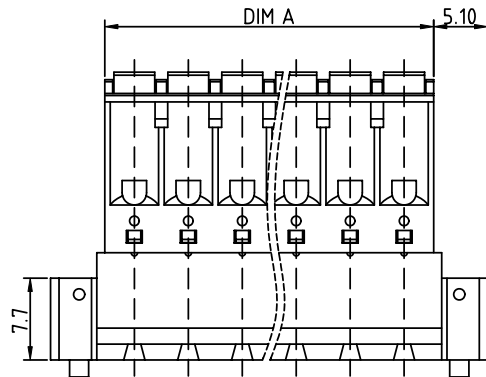
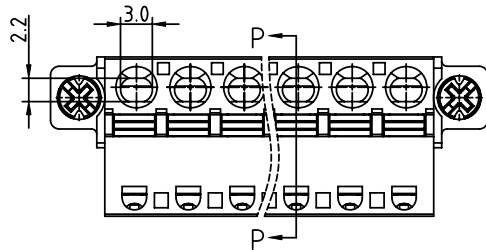
DIM A	N×5.08+0.5
DIM B	(N-1)×5.08
DIM C	(N-1)×5.08+10.4
DIM D	N×5.08+10.7
DIM E	N×5.08+0.4

N=Number of poles

POLES	Tolerance
2p-6p	±0.15
7p-12p	±0.20
13p-16p	±0.30
17p-24p	±0.40

PART NO.: H5 xx 5 0 x 1 00J0 G

Solid block	0	Black (RAL9005)	RoHS compliant (lead<4%)
No. of poles	2	Red (RAL3001/D)	In copper Alloy
02	2 poles	3	Orange(RAL2011/P)
03	3 poles	4	Yellow(RAL1018/A)
...	...	5	Green(RAL6018/T)
24	24 poles	6	Blue (RAL5015/A)
		8	Grey(RAL7035/D)
		9	White(RAL1102)
		C	Green(RAL6018/U)



Material:

- Item@Top body:Thermoplastic(UL94V-0)
- Item@Bottom body:Thermoplastic(UL94V-0)
- Item@Terminal lever:Thermoplastic(UL94V-0) Orange (RAL2001/P)
- Item@Spring clamp:Stainless Steel
- Item@Male contact pin:PhBz (CuSn)Tin plated
- Item@Flange screw:Steel Zinc plating M2.5 "+/-"combination type

Electrical

- Voltage rating: 300V
- Current rating: 10A
- Solid wire(AWG): 12-26
- Stranded wire(AWG): 12-26
- Wire strip length: 9-10mm
- Withstanding Voltage: 1.6KV
- Operating temperature: -40°C to +115°C
- Safety Approval: cULus

cULus

mat'l. code	surface ASME Y14.5	tolerance ASME Y14.5	projection	product family
ltr	ecn	no	dr	date
				TERMINAL BLOCK
				title
				TERMINAL BLOCK SPRING CLAMP, PLUGGABLE PLUG MALE CONNECTOR, FLANGE WITH SCREW
				scale
				MM
				angles
				X.±0.5
				X.X±0.3
				X.XX±0.1
				dr
				ENGR
				CHR
				APPD
				EVIN ZHONG 051714
				EVIN ZHONG 051714
				HANKE FENG 051714
				SHI JUN 051714
				FCI
				dwg no
				H5xx50x100J0G
				sheet 1 of 1 size
				A4
				type
				CUSTOMER Drawing
sheet index	revision	A		
	sheet	1		