

DIMENSIONS ARE IN INCHES		UNLESS OTHERWISE NOTED	TOLERANCES ARE:	TITLE:	DWG NO:
ONE PLACE DECIMALS ±.1	TWO PLACE DECIMALS ±.01	THREE PLACE DECIMALS ± .005	FOUR PLACE DECIMALS ± .0020	LOW PROFILE TERMINAL ASSEMBLY	TLW-1XX-XX-XXX-X-XX-XXX
				ANGLES ± 2°	SHEET 1 OF 3

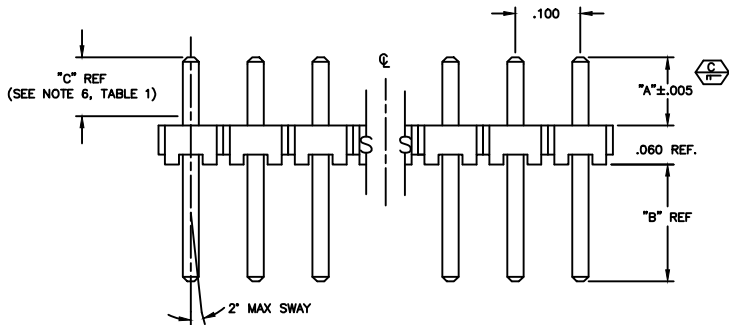
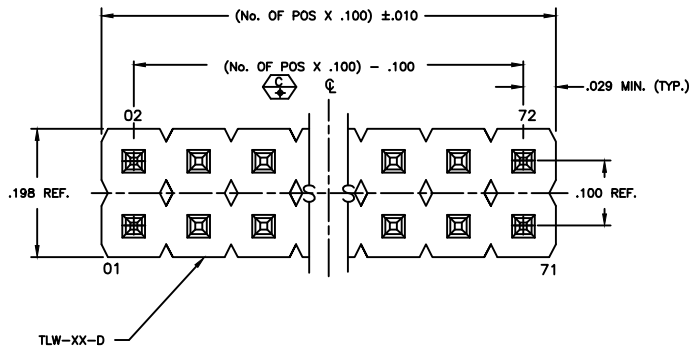
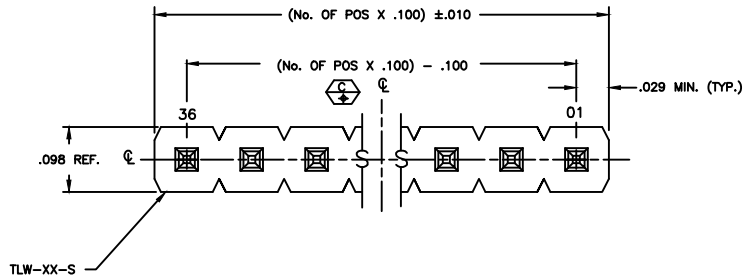


FIG. 1  
(THROUGH HOLE)

NOTES:

- 1.) MAX ALLOWABLE BOW AFTER ASSEMBLY: .005 IN/IN.
- 2.) TERMINAL PUSHOUT FORCE: 2 lbs. MIN.
- 3.) MAX PIN ROTATION IN BODY: 2°.
- 4.) Ⓢ REPRESENTS A CRITICAL DIMENSION.
- 5.) MAX CUT FLASH: .010.
- 6.) GOLD CONTACT AREA LOCATION FOR G, H, S, L, F, SM, LM, FM, & STL PLATINGS.
- 7.) ORIENTATE PINS TO PREVENT BANDOLIER MARKS FROM SHOWING IN THE POST AREA. (SEE TABLE 2)

**PROPRIETARY NOTE**  
THIS DOCUMENT CONTAINS INFORMATION CONFIDENTIAL AND PROPRIETARY TO SAMTEC INC. AND SHALL NOT BE REPRODUCED OR TRANSMITTED TO OTHERS OR USED FOR ANY PURPOSE OTHER THAN THAT FOR WHICH IT WAS OBTAINED WITHOUT THE EXPRESSED WRITTEN CONSENT OF SAMTEC INC.

TLW-1XX-XX-XXX-X-XX-XXX

**No. OF POSITIONS**  
-01 THRU -40 (SINGLE)  
-01 THRU -36 (DOUBLE)

**LEAD STYLE**  
-01: (RA) SEE FIG. 2  
-05: (TH) SEE TABLE 1  
-06: (TH) SEE TABLE 1

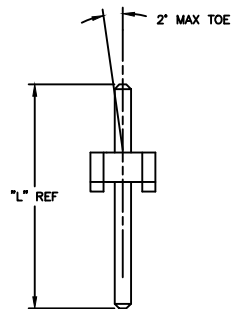
**PLATING SPECIFICATION**  
-G: GOLD (SPECIFY -G IN TERMINAL SUFFIX -XXX)  
-T: TIN (SPECIFY -T IN TERMINAL SUFFIX -XXX)  
-H: HEAVY GOLD (SPECIFY -H IN TERMINAL SUFFIX -XXX)  
-S: SELECTIVE (SPECIFY -S IN TERMINAL SUFFIX -XXX)  
-F: FLASH SELECTIVE (SPECIFY -F IN TERMINAL SUFFIX -XXX)  
-L: LIGHT SELECTIVE (SPECIFY -L IN TERMINAL SUFFIX -XXX)  
-TM: MATTE TIN (SPECIFY -T IN TERMINAL SUFFIX -XXX)  
-SM: SELECTIVE HEAVY GOLD, MATTE TIN TAIL (SPECIFY -S IN TERMINAL SUFFIX -XXX)  
-FM: FLASH SELECTIVE GOLD, MATTE TIN TAIL (SPECIFY -F IN TERMINAL SUFFIX -XXX)  
-LM: LIGHT SELECTIVE GOLD, MATTE TIN TAIL (SPECIFY -L IN TERMINAL SUFFIX -XXX)  
-STL: SELECTIVE GOLD, TIN/LEAD TAIL (SPECIFY -STL IN TERMINAL SUFFIX -XXX) (AVAILABLE IN STRAIGHT THROUGH HOLE VERSION ONLY)

**POLARIZING SPECIFICATION**  
XXX INDICATES POS. TO BE OMITTED (IDENTIFY POSITION WITH FEET DOWN)

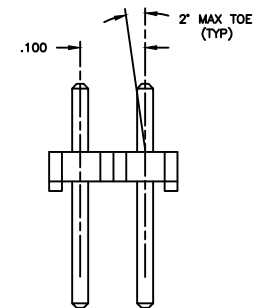
**OPTIONS**  
-BLANK: THROUGH HOLE (SEE FIG 1)  
-RA: RIGHT ANGLE (LEAD STYLE -01 ONLY) (SEE FIG 2)  
-LL: TH WITH LOCKING LEADS (SEE FIG 4)  
-LA: RA WITH LOCKING LEADS (SEE FIG 3)

**ROW SPECIFICATION**  
-S: SINGLE ROW (USE TLW-XX-S)  
-D: DOUBLE ROW (USE TLW-XX-D)

LEAD	TERMINAL 1	TERMINAL 2	"L"	"A"	"B"	"C"
-05	T-1S6-21-XXX-2	N/A	.335	.105	.170	.050
-06	T-1S6-18-XXX-2	N/A	.300	.105	.135	.050
-01-S	T-1S6-22-XXX-2	N/A	.495	.230	N/A	.165
-01-D	T-1S6-22-XXX-2	-----	.495	.230	N/A	.165
-01-D	-----	T-1S6-23-XXX-2	.695	.230	N/A	.165



-S: SINGLE



-D: DOUBLE

**MATERIAL:**  
INSULATOR:  
LIQUID CRYSTAL POLYMER  
COLOR: BLACK

**TERMINALS:**  
PHOSPHOR BRONZE

EXISPROD/ASSEMBLY/100  
TLWASM

**samtec**

520 PARK EAST BLVD. NEW ALBANY, INDIANA 47150  
PHONE (812) 944-6733 P.O. BOX 1147  
CODE 55322

MADE BY:  
M PUFFER 8-18-97

TLW-1XX-XX-XXX-X-XX-XXX  
SHEET 1 OF 3