

- NOTES:
- FOR ILLUSTRATION PURPOSES, 20 CIRCUIT SIZE WAFER IS SHOWN.
 - MATERIAL :
HOUSING : GLASS-FILLED NYLON, UL94V-0, COLOR BLACK.
PIN : 0.50MM SQ.PHOSPHOR BRONZE.
 - PRODUCT SPECIFICATION PS-87831-027 APPLIES.
 - NO CENTRE POLARIZATION SLOT FOR CKT SIZE 4 & 6
 - WITH CENTRE POLARISATION SLOT FOR 87831-5119 & 87831-6120.
 - NO SIDE LOCKING SLOT FROM 4 TO 12 CKT SIZE.
 - CKT 4 AND 6 HAS NO IDENTIFICATION TAG.
 - REFER TO PART 87831-***4* FOR CENTRE LOCKING SLOT OPTION FOR 4 TO 12 CKT.
 - THIS HEADER MATES WITH MOLEX :
a) CRIMP RECEPTACLE HOUSING, 51110 SERIES WITH CRIMP TERMINAL, 50394 SERIES.
b) 2MM MILLIGRID DUAL ROW IDT, 87568 SERIES.
c) 2MM MILLIGRID DUAL ROW: 79107 (GOLD PLATED), 78787 (TIN PLATED)
 - PARTS TO BE PACKED IN TUBE WITH MOISTURE BARRIER BAG.
 - PACKAGING SPECIFICATION : FOR TUBE : PK-87831-001
FOR T&R : PK-87831-300

ADD DETAIL 1 & 2. REDMEN BOT.VIEW EC NO: S2015-1247 DRW:NATSEE CHKD:CGOH APPR:KILIM 2015/04/29 2015/04/29 2015/06/18	QUALITY SYMBOLS	GENERAL TOLERANCES (UNLESS SPECIFIED)		DIMENSION STYLE MM ONLY		SCALE NTS	DESIGN UNITS METRIC	THIRD ANGLE PROJECTION																																
	$\nabla = 0$ $\text{C} = 0$	<table border="1"> <tr> <th></th> <th>mm</th> <th>INCH</th> </tr> <tr> <td>4 PLACES</td> <td>± ---</td> <td>± ---</td> </tr> <tr> <td>3 PLACES</td> <td>± ---</td> <td>± ---</td> </tr> <tr> <td>2 PLACES</td> <td>± 0.2</td> <td>± ---</td> </tr> <tr> <td>1 PLACE</td> <td>± ---</td> <td>± ---</td> </tr> </table>		mm	INCH	4 PLACES	± ---	± ---	3 PLACES	± ---	± ---	2 PLACES	± 0.2	± ---	1 PLACE	± ---	± ---	<table border="1"> <tr> <th>DRAWN BY</th> <th>DATE</th> <th>TITLE</th> </tr> <tr> <td>ATSEE</td> <td>2003/10/03</td> <td>MGRID, SHROUDED HEADER VERTICAL W/SLOT & STANDOFF</td> </tr> <tr> <th>CHECKED BY</th> <th>DATE</th> <th></th> </tr> <tr> <td>KCLING</td> <td>2003/11/07</td> <td></td> </tr> <tr> <th>APPROVED BY</th> <th>DATE</th> <th></th> </tr> <tr> <td>SKTOH</td> <td>2003/11/07</td> <td></td> </tr> </table>	DRAWN BY	DATE	TITLE	ATSEE	2003/10/03	MGRID, SHROUDED HEADER VERTICAL W/SLOT & STANDOFF	CHECKED BY	DATE		KCLING	2003/11/07		APPROVED BY	DATE		SKTOH	2003/11/07		MOLEX INCORPORATED		DOCUMENT NO.	SHEET NO.
		mm	INCH																																					
	4 PLACES	± ---	± ---																																					
3 PLACES	± ---	± ---																																						
2 PLACES	± 0.2	± ---																																						
1 PLACE	± ---	± ---																																						
DRAWN BY	DATE	TITLE																																						
ATSEE	2003/10/03	MGRID, SHROUDED HEADER VERTICAL W/SLOT & STANDOFF																																						
CHECKED BY	DATE																																							
KCLING	2003/11/07																																							
APPROVED BY	DATE																																							
SKTOH	2003/11/07																																							
C2	DESCRIPTION	DRAFT WHERE APPLICABLE MUST REMAIN WITHIN DIMENSIONS		SEE TABLE		SD-87831-011		1 OF 3																																

ASSY P/N IN TUBE	CKT SIZE	DIMENSION				
		A	B	C	D	E
87831-04** ⁴	4	2.00	4.85	6.65	5.00	—
87831-06** ⁴	6	4.00	6.85	8.65	7.00	—
87831-08**	8	6.00	8.85	10.65	9.00	—
87831-10**	10	8.00	10.85	12.65	11.00	—
87831-12**	12	10.00	12.85	14.65	13.00	—
87831-14**	14	12.00	14.85	16.65	15.00	8.00
87831-16**	16	14.00	16.85	18.65	17.00	10.00
87831-18**	18	16.00	18.85	20.65	19.00	12.00
87831-20**	20	18.00	20.85	22.65	21.00	14.00
87831-22**	22	20.00	22.85	24.65	23.00	16.00
87831-24**	24	22.00	24.85	26.65	25.00	18.00
87831-26**	26	24.00	26.85	28.65	27.00	20.00
87831-28**	28	26.00	28.85	30.65	29.00	22.00
87831-30**	30	28.00	30.85	32.65	31.00	24.00
87831-32**	32	30.00	32.85	34.65	33.00	26.00
87831-34**	34	32.00	34.85	36.65	35.00	28.00
87831-36**	36	34.00	36.85	38.65	37.00	30.00
87831-38**	38	36.00	38.85	40.65	39.00	32.00
87831-40**	40	38.00	40.85	42.65	41.00	34.00
87831-42**	42	40.00	42.85	44.65	43.00	36.00
87831-44**	44	42.00	44.85	46.65	45.00	38.00
87831-46**	46	44.00	46.85	48.65	47.00	40.00
87831-48**	48	46.00	48.85	50.65	49.00	42.00
87831-50**	50	48.00	50.85	52.65	51.00	44.00

OTHER OPTIONS


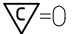
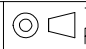

ASSY P/N IN T&R	ASSY P/N IN TUBE	CKT SIZE	PLATING OPTIONS	VOID POSITION	DIMENSIONS					
					A	B	C	D	E	(G)
—	87831-5120	12	2	1	10.00	12.85	14.65	13.00	—	—
—	87831-5220	44	2	20	42.00	44.85	46.65	45.00	38.00	—
—	87831-5320	24	2	13	22.00	24.85	26.65	25.00	18.00	—
—	87831-5420	34	2	3	32.00	34.85	36.65	35.00	28.00	—
—	87831-5520	20	2	20	18.00	20.85	22.65	21.00	14.00	—
—	87831-5620	28	2	13	26.00	28.85	30.65	29.00	22.00	—
—	87831-5720	34	2	15	32.00	34.85	36.65	35.00	28.00	—
—	87831-5820	40	2	25	38.00	40.85	42.65	41.00	34.00	—
—	87831-5920	20	2	13	18.00	20.85	22.65	21.00	14.00	—
—	87831-6020	24	2	20	22.00	24.85	26.65	25.00	18.00	—
—	87831-5119 ⁵	6	1	—	4.00	6.85	8.65	7.00	—	—
—	87831-6120 ⁵	6	2	1	4.00	6.85	8.65	7.00	—	—
—	87831-6320	20	2	19	18.00	20.85	22.65	21.00	14.00	—
87831-5554	87831-1420	14	2	—	12.00	14.85	16.65	15.00	8.00	10.35

PART NUMBER LEGEND :

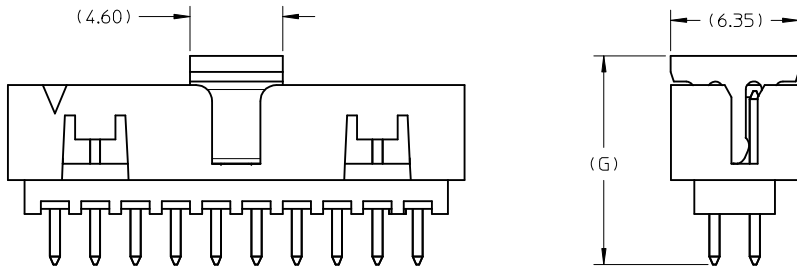
87831 - * * * * *

PLATING OPTION

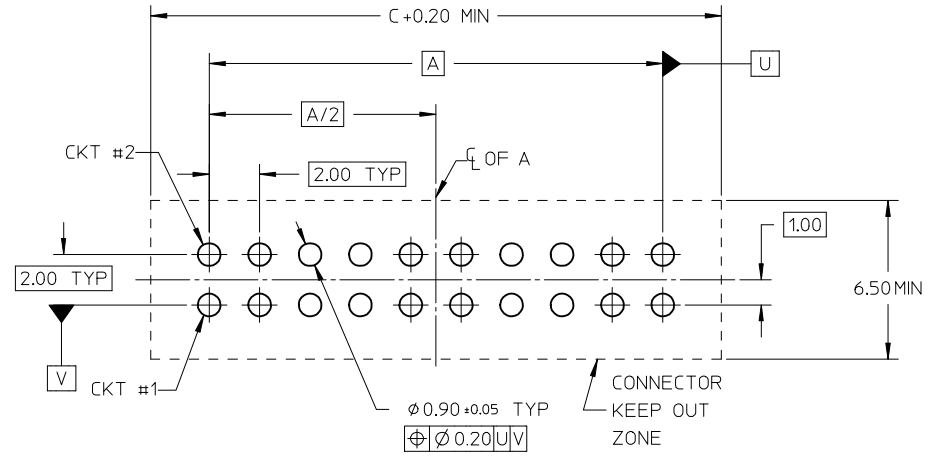
OPTION 1	**19 - 0.05-0.13um/2-5uin GOLD IN CONTACT AREA AND 1.88um/75uin MIN. TIN IN SOLDER TAIL AREA OVER 1.27um/50uin MIN. NICKEL OVERALL.
OPTION 2	**20 - 0.38um/15uin GOLD IN CONTACT AREA AND 1.88um/75uin MIN. TIN IN SOLDER TAIL AREA OVER 1.27um/50uin MIN. NICKEL OVERALL.
OPTION 3	**21 - 0.76um/30uin GOLD IN CONTACT AREA AND 1.88um/75uin MIN. TIN IN SOLDER TAIL AREA OVER 1.27um/50uin MIN. NICKEL OVERALL.
OPTION 4	**36 - 2.50um/100uin MIN. TIN OVER 1.25um/50uin MIN. NICKEL OVERALL.

ADD 87831-5554 EC NO: S2015-1247 DRW:ATSEE 2015/04/29 CHKD:CGOH 2015/04/29 APPR:KLL JM 2015/06/18	QUALITY SYMBOLS	GENERAL TOLERANCES (UNLESS SPECIFIED)	DIMENSION STYLE	SCALE	DESIGN UNITS	THIRD ANGLE PROJECTION
	 = 0  = 0	mm INCH	MM ONLY	NTS	METRIC	
	4 PLACES ± --- ± --- 3 PLACES ± --- ± --- 2 PLACES ± 0.2 ± --- 1 PLACE ± --- ± --- ANGULAR ± 3 °	DRAWN BY ATSEE DATE 2003/10/03 CHECKED BY KCL ING DATE 2003/11/07 APPROVED BY SKTOH DATE 2003/11/07	TITLE	MGRID, SHROUDED HEADER VERTICAL W/SLOT & STANDOFF		
	DRAFT WHERE APPLICABLE MUST REMAIN WITHIN DIMENSIONS	MATERIAL NO. SEE TABLE SKT0H 2003/11/07 DOCUMENT NO. SD-87831-011	 MOLEX INCORPORATED	SHEET NO. 2 OF 3		

CAP INFORMATION



ILLUSTRATED VIEWS WITH CAP



RECOMMENDED PCB PATTERN

ADD PCB LAYOUT EC NO: S2015-1247 DRW:ATSEE 2015/04/29 CHKD:CGOH 2015/04/29 APPR:KLLIM 2015/06/18	QUALITY SYMBOLS	GENERAL TOLERANCES (UNLESS SPECIFIED)		DIMENSION STYLE	SCALE	DESIGN UNITS	THIRD ANGLE PROJECTION
	$F_A=0$ $F_G=0$ $F_P=0$	mm	INCH	MM ONLY	NTS	METRIC	
		4 PLACES	± ---	± ---	DRAWN BY	DATE	TITLE
		3 PLACES	± ---	± ---	ATSEE	2003/10/03	MGRID, SHROUDED HEADER VERTICAL W/SLOT & STANDOFF
	2 PLACES	± 0.2	± ---	CHECKED BY	DATE		
	1 PLACE	± ---	± ---	KCL ING	2003/11/07		
	0 PLACE	±	±	APPROVED BY	DATE		
				SKTOH	2003/11/07		
		ANGULAR ± 3 °		MATERIAL NO.		DOCUMENT NO.	SHEET NO.
		DRAFT WHERE APPLICABLE MUST REMAIN WITHIN DIMENSIONS		SEE TABLE		SD-87831-011	3 OF 3
				SIZE	THIS DRAWING CONTAINS INFORMATION THAT IS PROPRIETARY TO MOLEX INCORPORATED AND SHOULD NOT BE USED WITHOUT WRITTEN PERMISSION		
				A3			