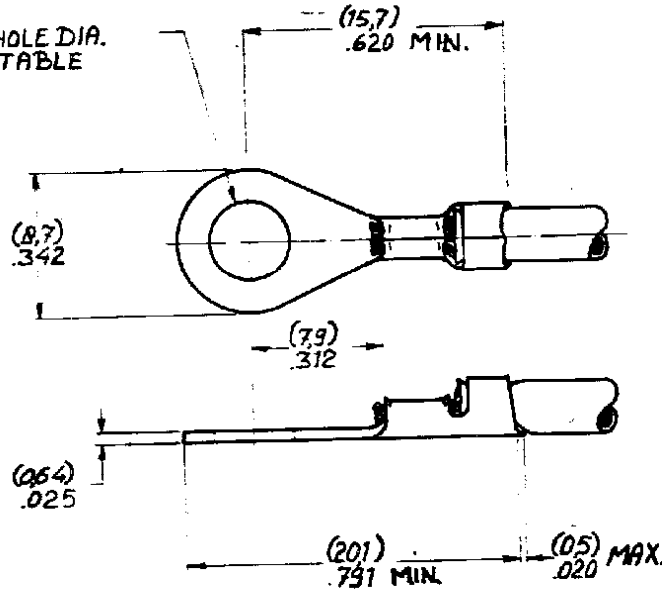


DRAWING MADE IN AMERICAN PROJECTION

| LTR | REVISION RECORD | DWN | CHK | DATE |
|-----|-----------------|-----|-----|---------|
| C | New Release | PKS | RRP | 27AUG12 |
| | | | | |

NUMBER C-160341

STUD HOLE DIA.
SEE TABLE



DIMENSIONS IN () DO NOT SCALE PRINT

CUSTOMER COPY FOR REFERENCE ONLY

©1970 BY TE HOLLAND N.V. ALL RIGHTS RESERVED. TE PRODUCTS COVERED BY PATENTS AND OR PATENTS PENDING.



| | | | | | | | | |
|-----------|----------|---------|------------|----------|-------------------------------|--------------------------|------------|----------|
| 160341-2 | Brass | TIN | .126 | 3 mm | WIRE RANGE 20-16 AWC | STUD. RANGE 20-30 DIA | FIRST USED | REV |
| 160341-1 | | H | | | 0.5-1.5 mm | | | C |
| ORDER NO. | MATERIAL | PLATING | STUD. DIA. | FOR STUD | SCALE | LOC | SIZE | NO |
| | | | | | N.T.S. | H | A | C-160341 |
| DR | DATE | DATE | DATE | DATE | NAME | | | |
| | 7/8-70 | | | | RING TONGUE WITH INS. SUPPORT | | | |