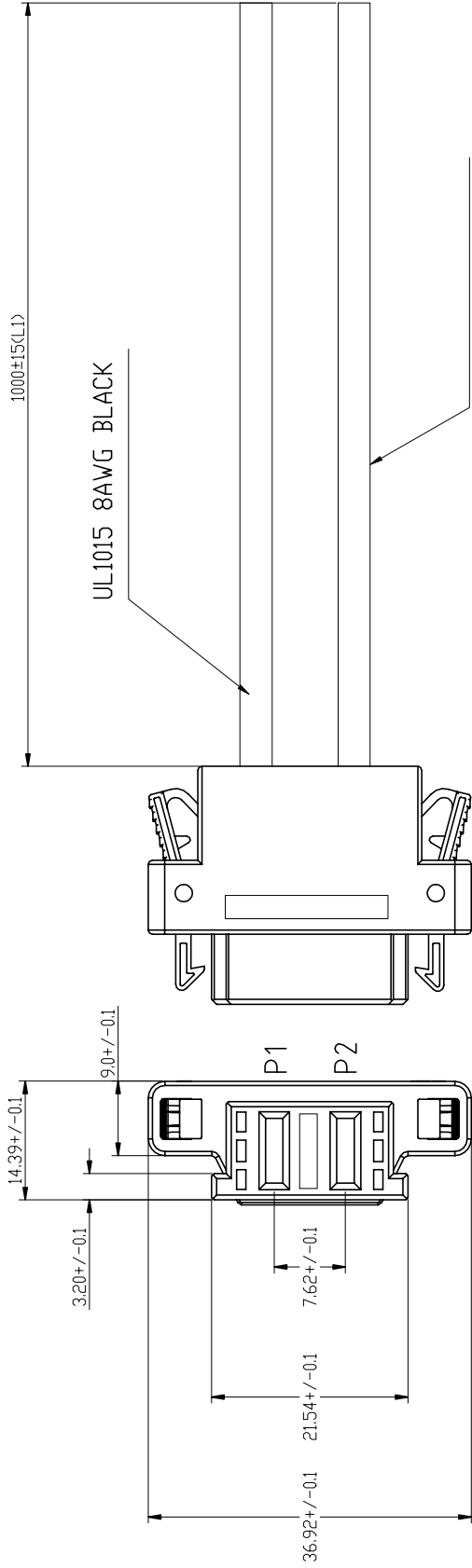


FCI P/N:
10080594-1AD0078LF



Housing

HOUSING	WIRE
P1	8AWG BLACK
P2	8AWG RED

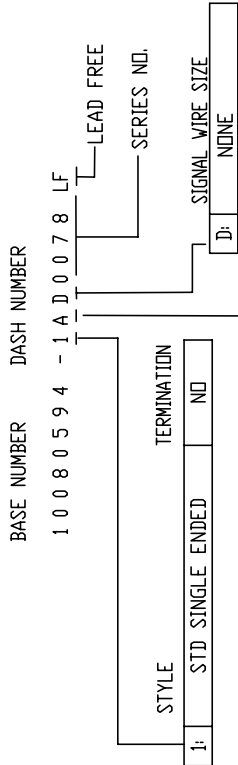
mat'l. code		surface	tolerance	projection	product family	
ltr	ecn no	dr	date		C & A	
A	N08-0208	W.W	09-05'08		title	
				MM	PWRBLD 2P .3" CABLE ASSEMBLY	
				scale	dwg no 10080594-1AD0078LF	
					sheet 1 of 2 size A3	
					type CUSTOMER	
sheet index	revision	A	1			

FCI P/N:
10080594-1AD0078LF

NOTES:

- ① END 'HOUSING' MATES WITH FCI HEADER PART NUMBER 51939-198LF.
- ② UNLESS OTHERWISE SPECIFIED ASSEMBLED LENGTH TOLERANCE =
 - < = 1 METER: ±15.0mm
 - > 1 METER TO 10 METER: ±2% OF L1
 - > 10 METER: +0.00% / -4% OF L1

3. PART NUMBER DESCRIPTION:



CONFIGURATION	WIRE SIZE
A: ALL POWER	8 AWG

SEE NOTE 7 AND 8

- ④ UNLESS OTHERWISE SPECIFIED LABEL POSITION SHALL BE APPROXIMATELY 50mm FROM REAR OF CONNECTOR.
- ⑤ UNLESS OTHERWISE SPECIFIED STANDARD LABEL SHALL BE BRADY LABEL P/N TH1-10-427-3.
 LABEL DETAILS:
 - MANUFACTURER CODE OR NAME
 - FCI P/N
 - REVISION
 - DATE CODE WW/YY FORMAT
 - COUNTRY ORIGIN
 FONT SHALL BE CLEARLY VISABLE AND BLACK IN COLOR.

- ⑥ ALL CABLE ASSEMBLIES SHALL BE TESTED 100% FOR CONTINUITY AS DEFINED IN WIRING LIST.
- 7. UNLESS OTHERWISE SPECIFIED ALL CABLE ASSEMBLIES SHALL BE 100% HI-POT TESTED BY APPLYING 300V DC FOR MINIMUM OF 10ms, UNLESS ACTIVE COMPONENTS ARE USED IN THIS ASSEMBLY.
- 8. OTHER TESTING PERFORMED AS REQUIRED BY PRODUCT SPECIFICATION: GS-XX-XXX.
- 9. ALL CUSTOMER DRAWINGS ARE SUPPLIED WITH METRIC DIMENSIONS.
- ⑩ LEAD FREE PRODUCTS MEET EUROPEAN UNION DIRECTIVES AND OTHER COUNTRY REGULATIONS AS DESCRIBED IN GS-22-008.
 PACKAGING OF LEAD FREE PRODUCTS MEETS LABELING AND PACKAGING SPECIFICATION GS-14-920.
- ⑪ CONNECTOR ASSEMBLIES SHOWN ARE FOR REFERENCE ONLY AND MAY NOT SHOW ALL PART DETAIL. REFERENCE CONNECTOR HOUSING DRAWINGS FOR COMPLETE DETAILS.
- 12. GLOBAL STANDARDS FOR CABLE PACKAGING: GS-14-1093.
- ⑬ THIS DIMENSION IS A FINISHED PRODUCT LENGTH.
- 14. CABLE: UL APPROVED, TEMPERATURE RATING 105°C, 120V MIN. HOUSING: HIGH TEMP. THERMOPLASTIC, UL94V-0 GLASS FILLED, COLOR: BLACK
 POWER CONTACTS: COPPER ALLOY

mat'l. code		surface	tolerance	projection	product family
ltr	ecn no	dr	date	tolerances unless otherwise specified	title
A	N08-0208	W.W	09-05'08	angles	PWRBLD 2P .3" CABLE ASSEMBLY
				linear	
		dr	09-05'08	scale	dwg no
		enfr	Wilson.W		10080594-1AD0078LF
		chr	Wilson.W		sheet 2 of 2 size
		appp	Jackson		A3
sheet	revision	A			type
index	sheet	2			CUSTOMER