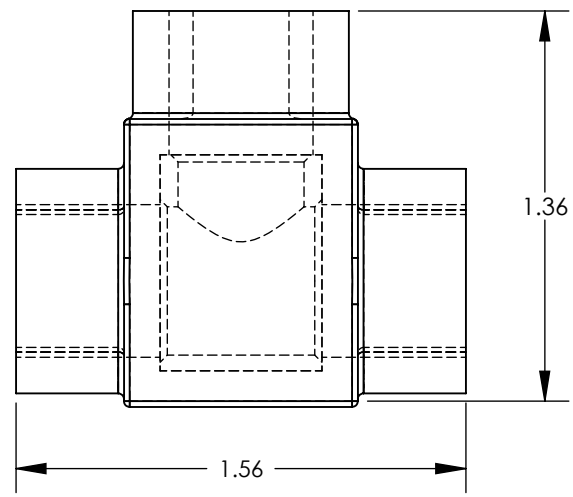
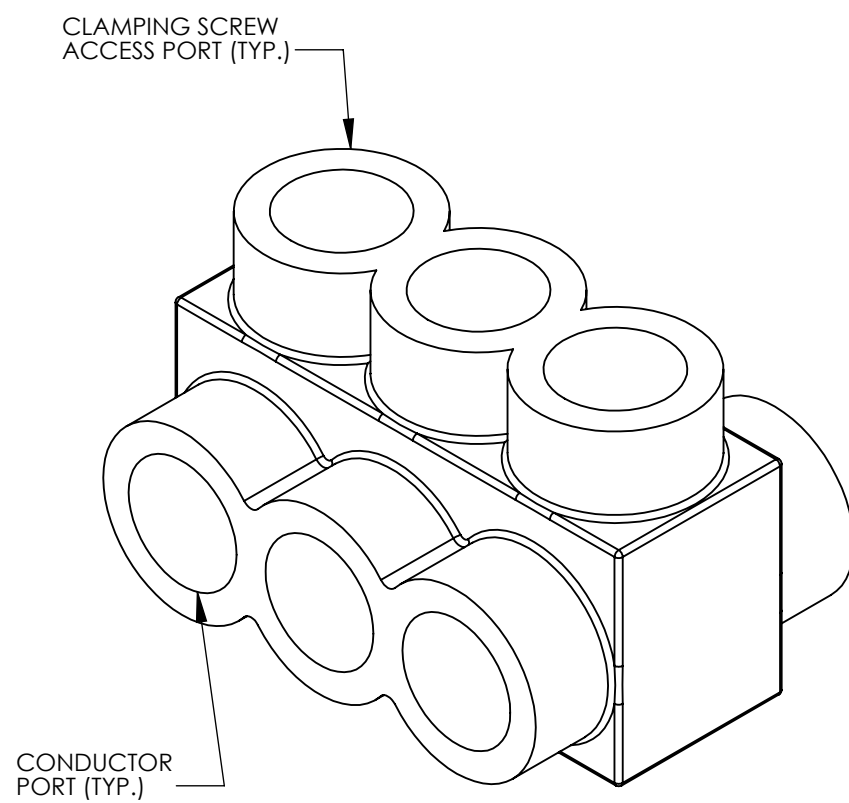
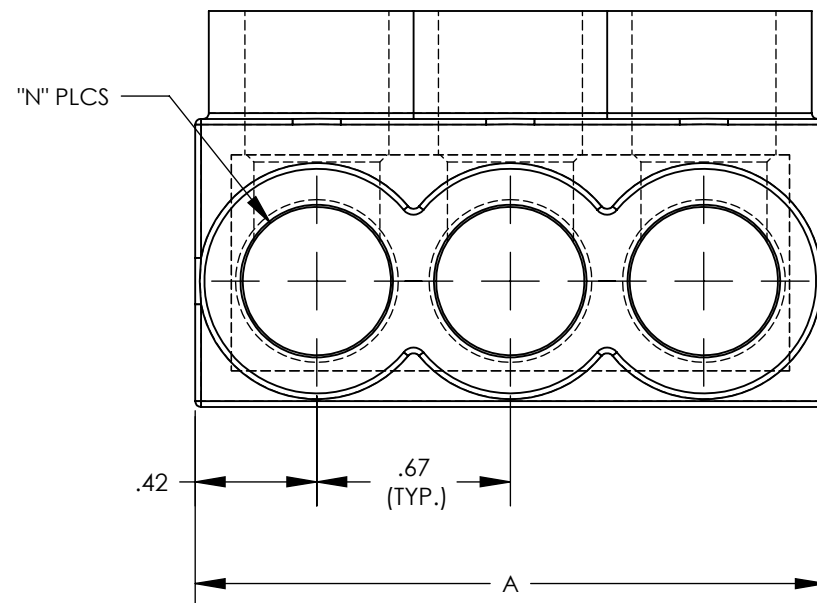


THREE PORT CONNECTOR BLOCK SHOWN WITH PLASTIC CLOSURE PLUGS REMOVED. SEE TABLE FOR DIMENSIONS OF PARTS WITH ADDITIONAL PORTS



PANDUIT FINISHED GOODS P/N	CONDUCTOR RANGE	HEX KEY	SCREW QTY.	CAP (SCREW PORT) QTY.	CAP (WIRE PORT) QTY.	A	L	N	TIGHTENING TORQUE
PCSB210-2-12	# 2/0 - # 14 STR # 10 - # 14 SOL	3/16	2	2	4	1.52	1.265	2	120 in/lb
PCSB210-3-6		3/16	3	3	6	2.19	1.937	3	
PCSB210-4-6		3/16	4	4	8	2.86	2.609	4	
PCSB210-5-6		3/16	5	5	10	3.53	3.281	5	
PCSB210-6-6		3/16	6	6	12	4.20	3.953	6	
PCSB210-8-4		3/16	8	8	16	5.55	5.297	8	
PCSB210-10-2Y	# 2/0 - # 14 STR # 10 - # 14 SOL	3/16	10	10	20	6.89	6.641	10	
PCSB210-12-2Y		3/16	12	12	24	8.24	7.985	12	
PCSB210-14-1Y		3/16	14	14	28	9.58	9.329	14	



- NOTES:
- UL486A-UL486B LISTED, DUAL RATED CU9AL FOR ALUMINUM OR COPPER CONDUCTORS. MEETS OR EXCEEDS ANSI C119.4
  - SEE TABLE FOR WIRE RANGE.
  - STRIP LENGTH: .56 +.06/-0
  - FOR TIGHTENING TORQUE SEE TABLE
  - VOLTAGE RATING: 600 V. MAX. BUILDING WIRE, 1000 V. MAX. IN SIGNS & FIXTURES.
  - TEMPERATURE RATING: 90 °C (CU9AL).
  - CONNECTOR BLOCK BODY ARE MADE FROM ALUMINUM. CONDUCTOR PORTS IN CONNECTOR BLOCK ARE PREFILLED WITH AN OXIDE-INHIBITING COMPOUND.
  - CONNECTOR TO INCLUDE TIN PLATED ALUMINUM CLAMPING SCREWS FOR EACH CONDUCTOR PORT.
  - INSULATION MATERIAL IS CLEAR PVC.
  - CLAMPING SCREW ACCESS PORTS AND ALL WIRE ENTRY PORTS ARE PROVIDED WITH REMOVABLE PLASTIC CLOSURE PLUGS.
  - ALL DIMENSIONS SHOWN ARE NOMINAL.
  - ONLY ONE CONDUCTOR PER PORT ALLOWED.
  - PACKAGE QTY: -12 = 12 PCS.  
-6 = 6 PCS.  
-4 = 4 PCS.
  - THIS PART IS RoHS COMPLIANT

REV	DATE	BY	CHK	APR	DESCRIPTION	ECN
09	2/13	JHNU	JHNU	RGB	REVISED TITLE BLOCK	N41244BB-C41244

TITLE <b>MULTI-TAP INSULATED CONNECTORS PCSB 2/0 SERIES CUSTOMER DRAWING</b>	
ITEM REVISION NAME N41244BB-C41244/09	<b>PANDUIT</b>
DATASET FILE NAME C41244/09.SLDDRW	
UNLESS OTHERWISE SPECIFIED, DIMENSIONAL TOLERANCES ARE: IN [mm] .X ± .XX ± .02	
MATERIAL SEE NOTES	
DRAWING NUMBER C41244_09	
DRAWN BY MS	DATE 8/99
CHK RLS	SCALE NONE
SHEET 1 OF 1	
SIZE B	