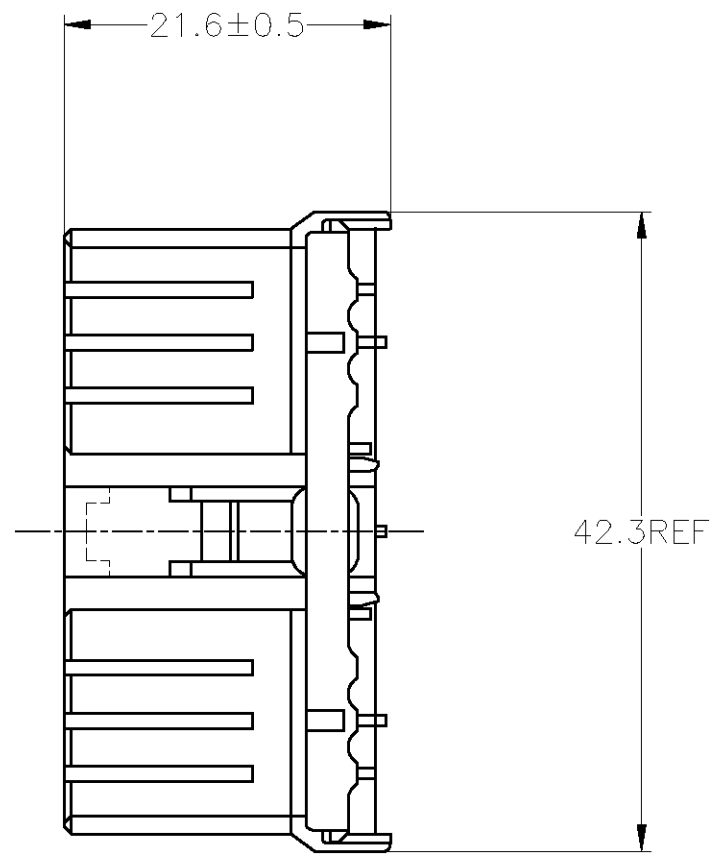
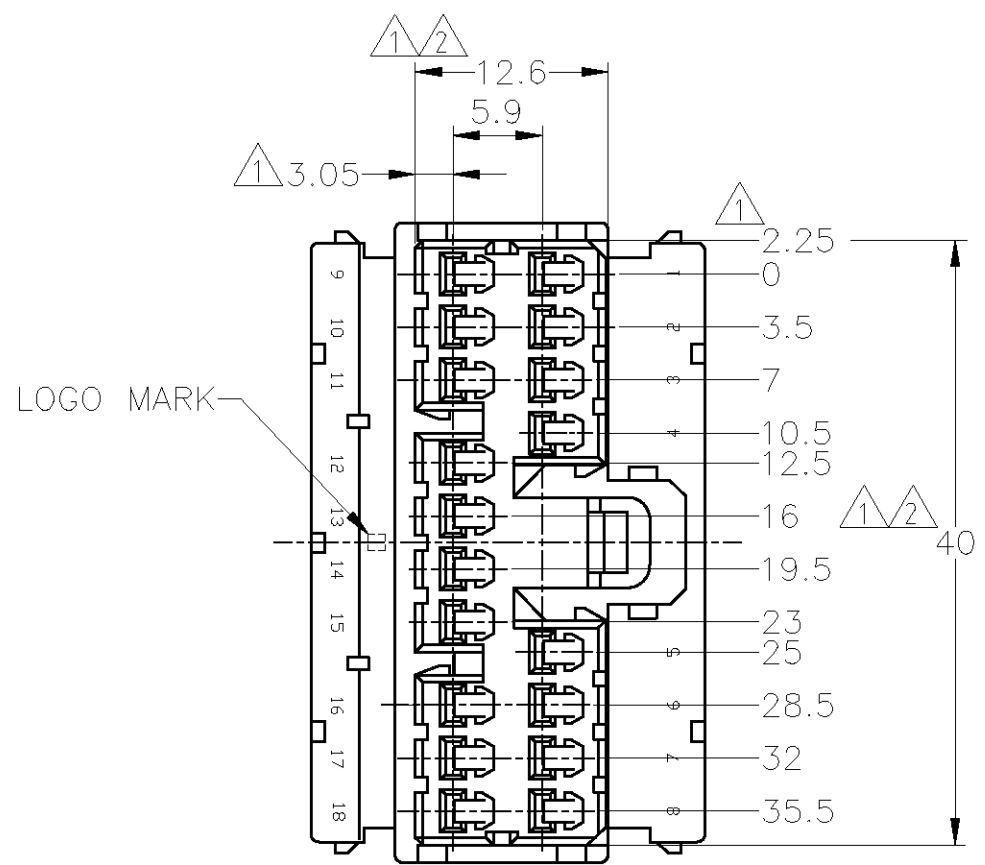
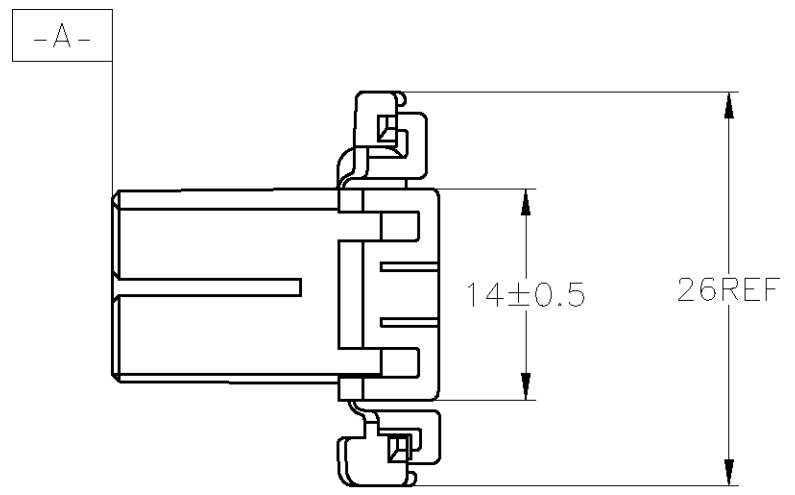


THIS DRAWING IS UNPUBLISHED. RELEASED FOR PUBLICATION
 © COPYRIGHT - By - ALL RIGHTS RESERVED.

LOC	DIST	REVISIONS					
J	-	P	LTR	DESCRIPTION	DATE	DWN	APVD
		F2	REVISED	ECR-12-021403	13DEC2012	TS	KB



- △ -A- 面より2mmの範囲で測定
- △ 相手ハウジングと所定の機能を満足して嵌合できること
- 3. 内装するリセプタクルコンタクトは型番173630, 173631
- △ TO BE MEASURED BETWEEN -A- AND 2
- △ TO BE MATE WITH CAP HOUSING SMOOTHLY
- 3. APPLIED CONTACT; PART NUMBER 173630 AND 173631



	COLOR	NAME	PART NUMBER
	YELLOW	18POSITION PLUG HOUSING	173853-7
OBSOLETE	NATURAL	18POSITION PLUG HOUSING	1-173853-1
	SEE DRAWING 173853-9		173853-9
OBSOLETE	ORANGE	18POSITION PLUG HOUSING	173853-8
	GRAY	18POSITION PLUG HOUSING	173853-6
	BLUE	18POSITION PLUG HOUSING	173853-5
	GREEN	18POSITION PLUG HOUSING	173853-4
OBSOLETE	BLACK	18POSITION PLUG HOUSING	173853-2
	NATURAL	18POSITION PLUG HOUSING	173853-1

TOLERANCES UNLESS OTHERWISE SPECIFIED:
 一般公差

10 _±	±0.2
30 _±	> 10 : ±0.25
100 _±	> 30 : ±0.3
ANGLE	±3°

THIS DRAWING IS A CONTROLLED DOCUMENT.

DIMENSIONS: 単位: 概 mm	TOLERANCES UNLESS OTHERWISE SPECIFIED: 一般公差
	0 PLC ±-
	1 PLC ±-
	2 PLC ±-
	3 PLC ±-
	4 PLC ±-
	ANGLES ±-
MATERIAL 材料 PBT	FINISH 仕上 -

DWN M.SUGAWARA 26MAY06	TE Connectivity			
CHK T.SHINOHARA 26MAY06				
APVD K.BETSUI 26MAY06				
PRODUCT SPEC 製品規格	NAME 名称 070 SERIES MULTI-LOCK I/O CONNECTOR 18POSITION PLUG HOUSING			
APPLICATION SPEC 取付適用規格	SIZE A3	CAGE CODE 00779	DRAWING NO 番号 C-173853	RESTRICTED TO -
WEIGHT -	CUSTOMER DRAWING			SCALE 尺度 2:1
	SHEET 1 OF 1		REV F2	