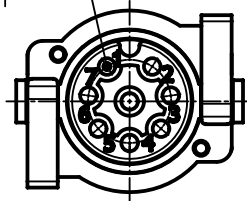
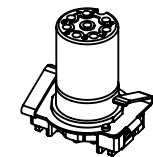
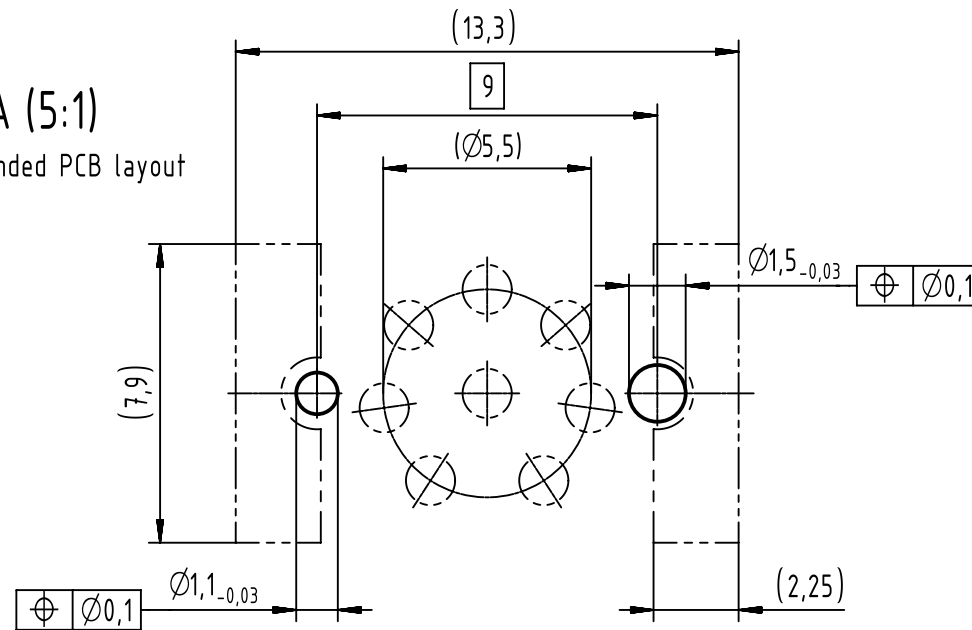



contact face acc. to IEC 61076-2-101



A (5:1)
recommended PCB layout



- 1 pcs. single package

	All rights reserved Department EC PD - DE	All Dimensions in mm Original Size DIN A4		Scale 2:1	Free size tol.	Ref. Sub.
		Created by HELLMANN	Inspected by EISFELD	Standardisation KOHLER	Date 2016-05-17	State Final Release
HARTING Electronics GmbH D-32339 Espelkamp		Title HARTING M12 PCB recpt str 8-pole A-coded female				Doc-Key / ECM-Nr. 100671212/UGD/000/A 500000104428
		Type TB	Number 21033212802		Rev. A	Page 1/1