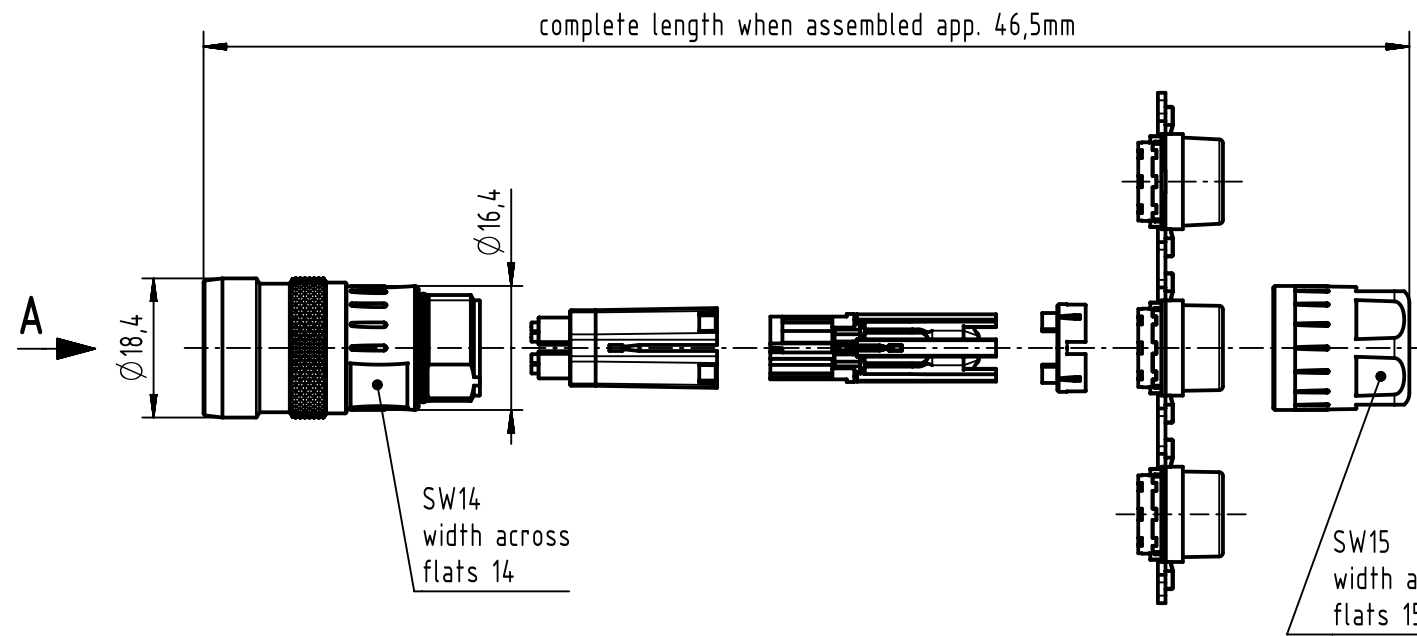


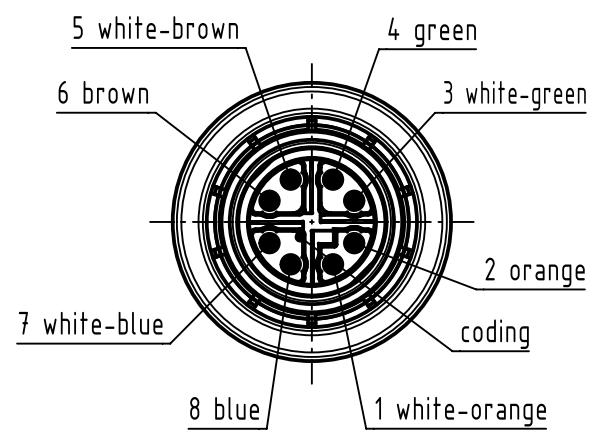
1 2 3 4 5 6

A
B
C
D

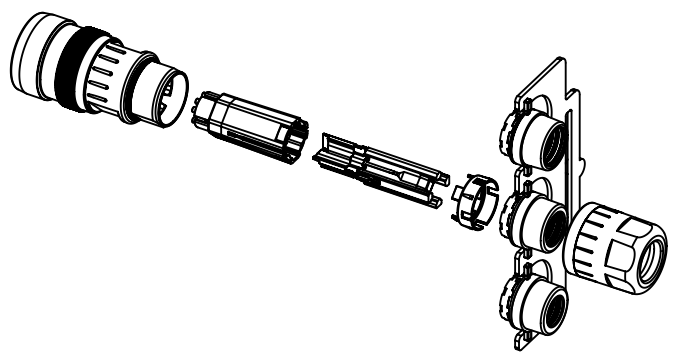


A (2:1)

contact face acc. to IEC 61076-2-109



order contacts separately



5,7-8,8mm		AWG 26-23		21 01 100 9019	
cable \varnothing		AWG 28-24		21 01 100 9014	
		wire gauge		part number	
	All Dimensions in mm Original Size DIN A4	Scale 1:1	Free size tol.		Ref. Sub.
	All rights reserved Department EC PD - DE	Created by HASSE	Inspected by FRIESENH	Standardisation HOFFMANN	Date 2015-06-29 State Final Release
HARTING Electronics GmbH D-32339 Espelkamp		Title har-speed M12 PushPull 8-pole male			Doc-Key / ECM-Nr. 100600541/UGD/000/C 500000090719
		Type TB	Number 21038811830		Rev. C Page 1/1