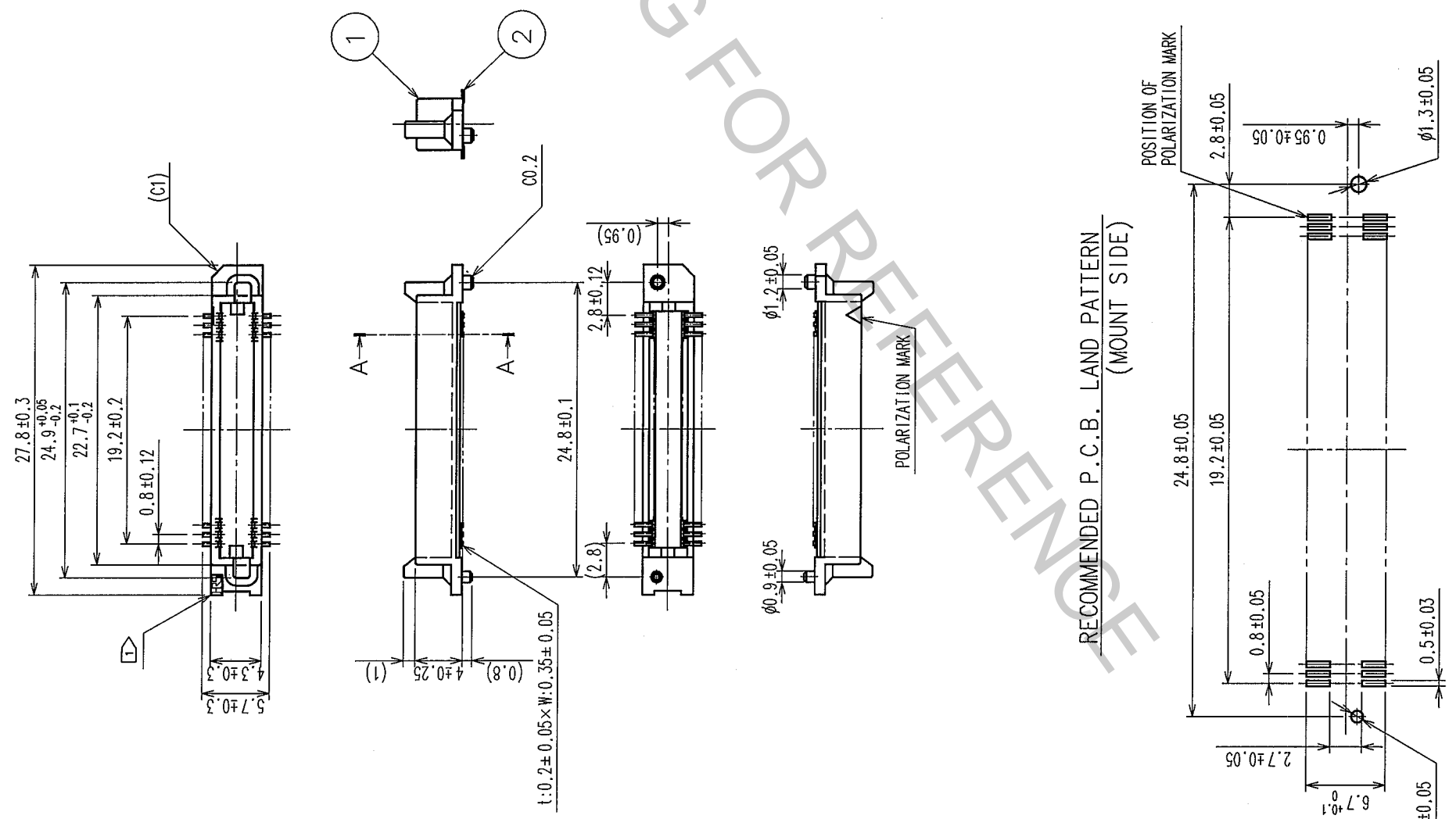
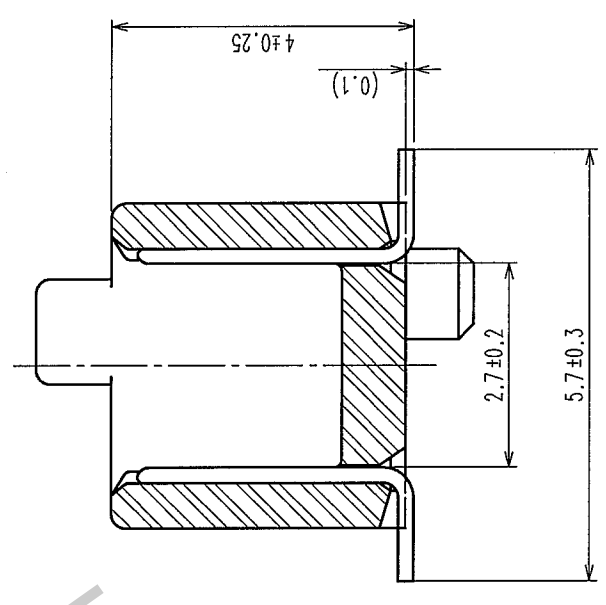
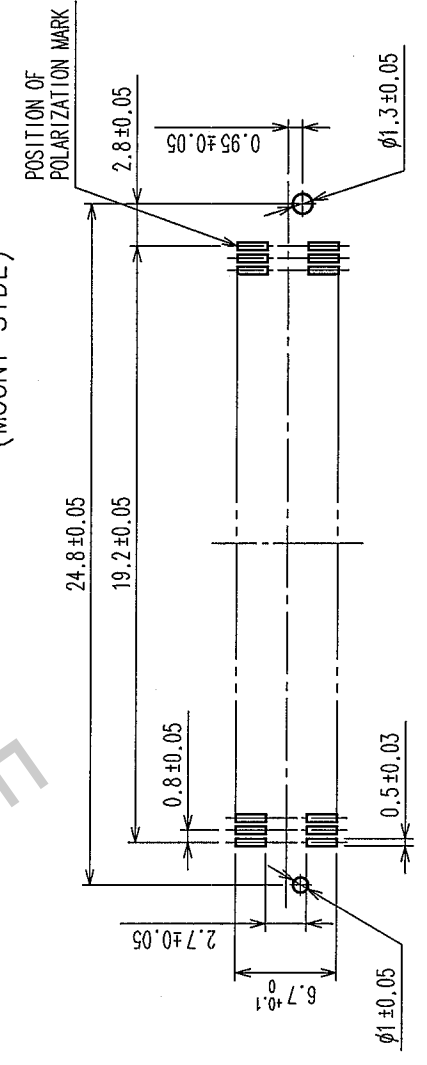


COUNT	DESCRIPTION OF REVISIONS	BY	CHKD	DATE	COUNT	DESCRIPTION OF REVISIONS	BY	CHKD	DATE
△					△				
△					△				
△					△				

AA(10:1)



- NOTE
- 1 HRS MARK SHALL BE OPTIONAL.
 - 2 LEAD CO-PLANARITY SHALL BE 0.1mm MAX.
 - 3 THE DIMENSIONS IN PARENTHESES ARE FOR REFERENCE.
 - 4 EMBOSSED CARRIER TAPE PACKAGING SHALL BE APPLIED FOR THIS PRODUCT.
 - 5 FOR MODIFICATION, ETC., PREVENTIVE HOLE FOR SINK MARK MAY BE ADDED ACCORDING TO CIRCUMSTANCES.



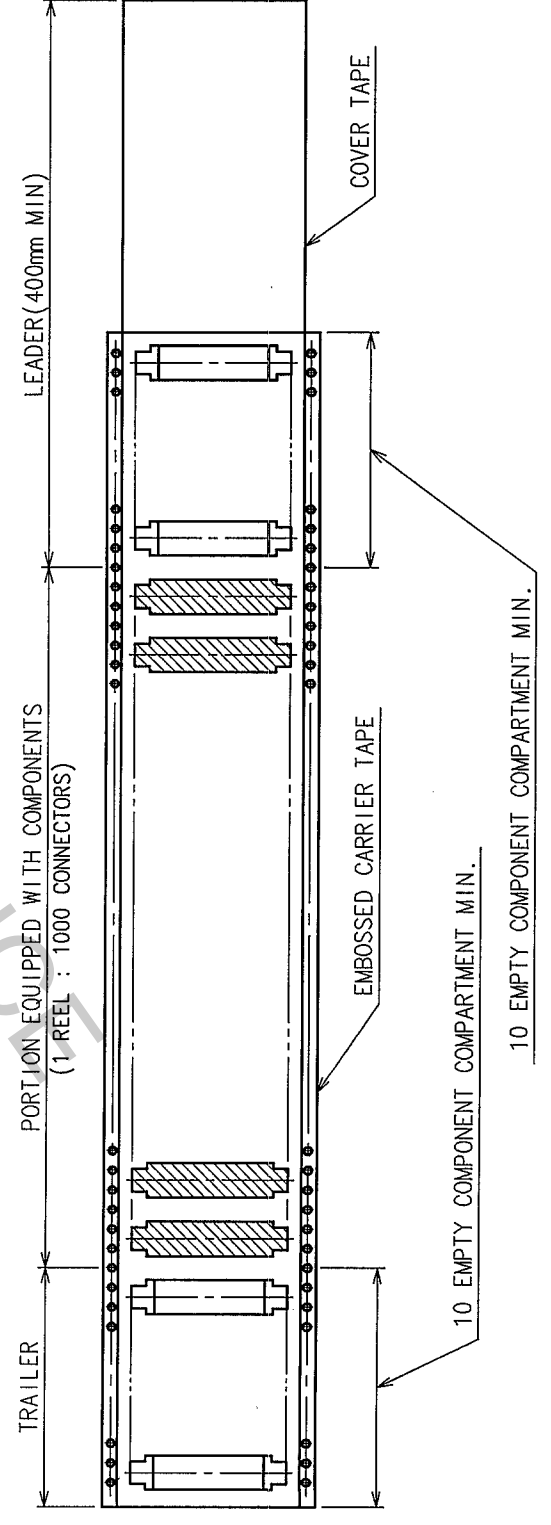
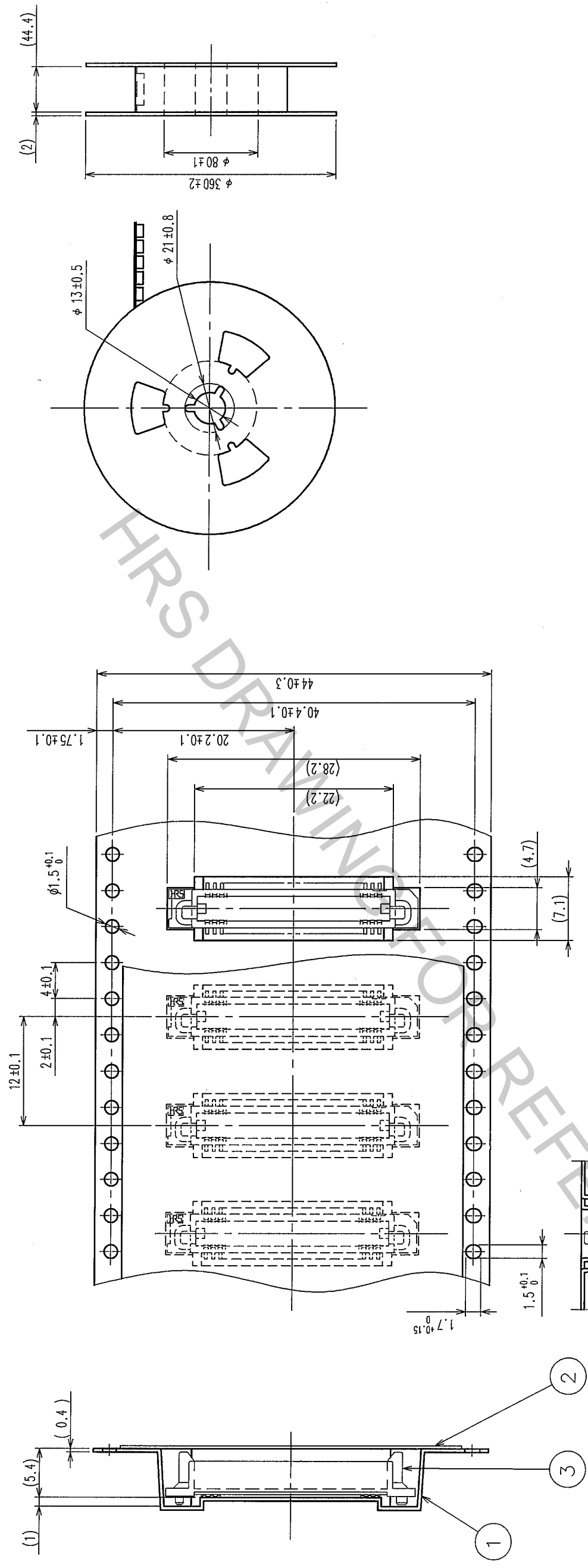
TO	

1		2	
NO.	MATERIAL	FINISH, REMARKS	FINISH, REMARKS
1	POLYPHENYLENE SULFIDE	LIGHT BROWN	UL94V-0
2	PHOSPHOR BRONZE		
CODE NO. (OLD)		DRAWN	CHECKED
		Y. AOYAGI	H. Okawa
		'05.09.22	'05.09.27
			'05.09.27
CONTACT AREA : GOLD 0.1μm min.		APPROVED	
LEAD AREA : GOLD PLATING FLASH		RELEASED	
UNDER PLATING : NICKEL 1.5μm min.			
PART NO.		FX6-50P-0.8SV(92)	
DRAWING NO.		EDC3-071637-22	
SCALE		2 : 1	
UNITS		mm	
CODE NO.		CL576-0004-1-92	

COUNT	DESCRIPTION OF REVISIONS	BY	CHKD	DATE	COUNT	DESCRIPTION OF REVISIONS	BY	CHKD	DATE

STYLE AND DIMENSIONS OF REEL (FREE)

DIRECTION OF UNREELING



NOTE 1 THE DIMENSIONS IN PARENTHESES ARE FOR REFERENCE.
 2 1 REEL : 1000 CONNECTORS

NO.	MATERIAL	FINISH, REMARKS	NO.	MATERIAL	FINISH, REMARKS
2	POLYESTER	COVER TAPE	3	(CONNECTOR)	
1	POLYSTYRENE	EMBOSSED CARRIER TAPE			

CODE NO. (OLD)	DRAWN	DESIGNED	CHECKED	APPROVED	RELEASED
	Y. AOYAGI '05.09.22	J. Noda '05.09.26	H. Ogawa '05.09.27	H. Ogawa '05.09.27	

DRAWING NO.	PART NO.
EDC3-071637-22	FX6-50P-0.8SV(92)

SCALE	UNITS	CODE NO.
2 : 1	mm	CL576-0004-1-92

TO