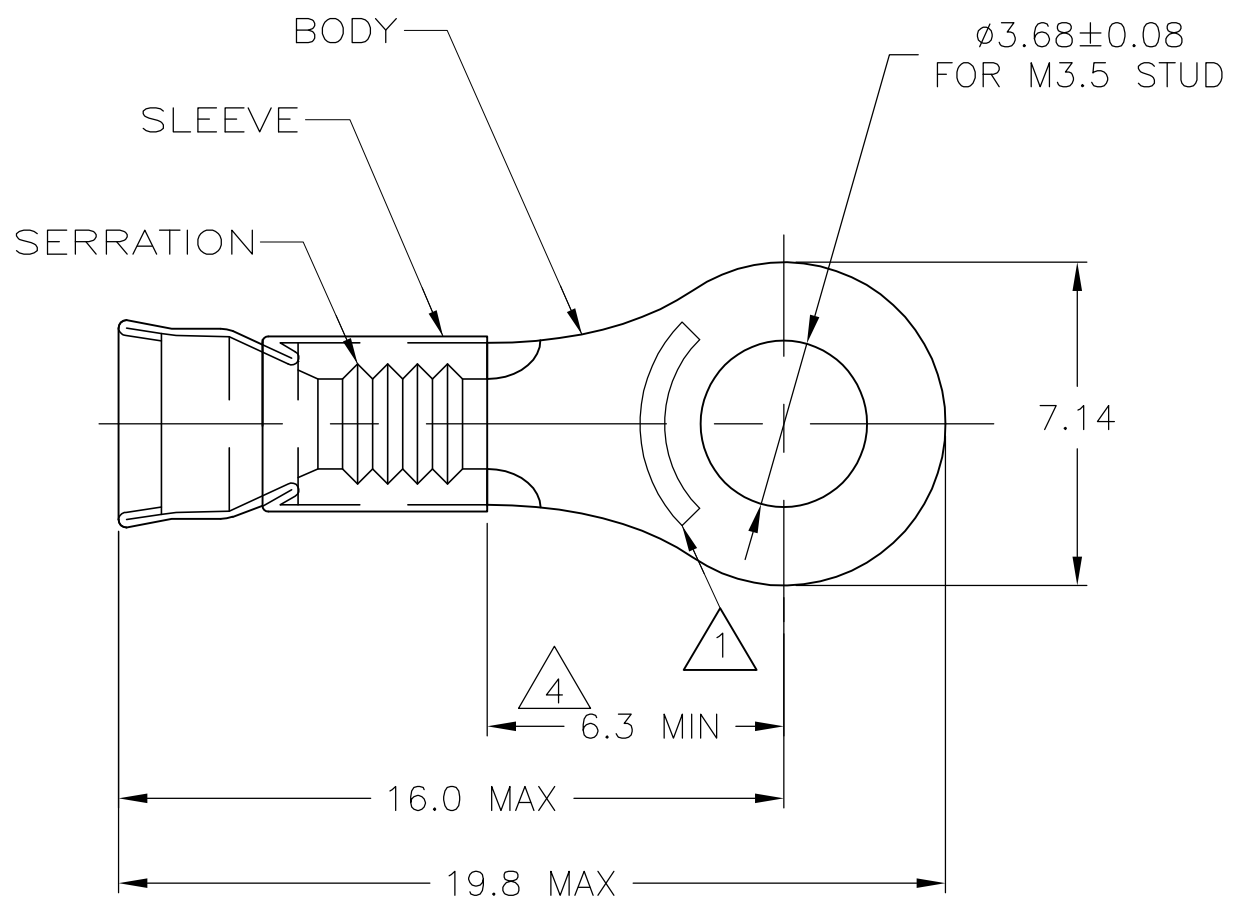


THIS DRAWING IS UNPUBLISHED. RELEASED FOR PUBLICATION  
 © COPYRIGHT BY TYCO ELECTRONICS CORPORATION. ALL RIGHTS RESERVED.

LOC	DIST	REVISIONS					
		P	LTR	DESCRIPTION	DATE	DWN	APVD
G	14		A1	REV PER ECR 07-010957	11MAY07	JR	TM



- 1 STAMP AMP 22-18\* APPROX AS SHOWN  
 22-16 TERMINALS ARE STAMPED 22-18 IN  
 ACCORDANCE WITH MILITARY SPEC MIL-T-7928  
 COMMERCIAL WIRE RANGE IS 22-16
- 2. WIRE INSUL DIA, 1.3-2.8
- 3. TONGUE MATL THK, 0.79±0.05
- 4 APPLIES FROM EDGE OF METAL WIRE BARREL  
 TO CENTER OF STUD HOLE
- 5 MATERIAL:  
 BODY - COPPER PER ASTM B152  
 SLEEVE - NICKEL SILVER PER ASTM B122
- 6 FINISH:  
 BODY - NICKEL PLATE PER QQ-N-290  
 SLEEVE - NONE

5000	ON TAPE	2-150492-1
1000	LOOSE PIECE	150492
QTY	PACKAGE TYPE	PART NO

THIS DRAWING IS A CONTROLLED DOCUMENT.		DWN JR RUTH 11MAY07	Tyco Electronics Corporation Harrisburg, PA 17105-3608	
DIMENSIONS: mm	TOLERANCES UNLESS OTHERWISE SPECIFIED:	CHK T MICHIELUTTI 11MAY07	NAME	
	0 PLC ± - 1 PLC ± - 2 PLC ± 0.20 3 PLC ± - 4 PLC ± - ANGLES ± -	APVD T MICHIELUTTI 11MAY07	PRODUCT SPEC	
MATERIAL	FINISH	APPLICATION SPEC	TERMINAL, RING TONGUE, STRATOTHERM, DIAMOND GRIP, 22-16 AWG	
- 5	- 6	WEIGHT -	SIZE A3	CAGE CODE 00779
CUSTOMER DRAWING			DRAWING NO G-150492	RESTRICTED TO -
			SCALE 6:1	SHEET 1 OF 1
			REV A1	