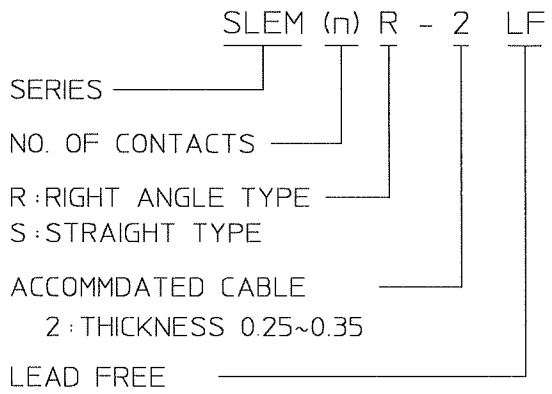


CAT. NO. & DIMENSIONS

| NO. OF CONTACTS (n) | CAT. NO.         |               | DIMENSIONS (NOTE) |        |
|---------------------|------------------|---------------|-------------------|--------|
|                     | RIGHT ANGLE TYPE | STRAIGHT TYPE | A ±0.3            | B ±0.1 |
| 4                   | SLEM4R-2LF       | SLEM4S-2LF    | 11.25             | 6.45   |
| 5                   | SLEM5R-2LF       | SLEM5S-2LF    | 12.50             | 7.70   |
| 6                   | SLEM6R-2LF       | SLEM6S-2LF    | 13.75             | 8.95   |
| 7                   | SLEM7R-2LF       | SLEM7S-2LF    | 15.00             | 10.20  |
| 8                   | SLEM8R-2LF       | SLEM8S-2LF    | 16.25             | 11.45  |
| 9                   | SLEM9R-2LF       | SLEM9S-2LF    | 17.50             | 12.70  |
| 10                  | SLEM10R-2LF      | SLEM10S-2LF   | 18.75             | 13.95  |
| 11                  | SLEM11R-2LF      | SLEM11S-2LF   | 20.00             | 15.20  |
| 12                  | SLEM12R-2LF      | SLEM12S-2LF   | 21.25             | 16.45  |
| 13                  | SLEM13R-2LF      | SLEM13S-2LF   | 22.50             | 17.70  |
| 14                  | SLEM14R-2LF      | SLEM14S-2LF   | 23.75             | 18.95  |
| 15                  | SLEM15R-2LF      | SLEM15S-2LF   | 25.00             | 20.20  |
| 16                  | SLEM16R-2LF      | SLEM16S-2LF   | 26.25             | 21.45  |
| 17                  | SLEM17R-2LF      | SLEM17S-2LF   | 27.50             | 22.70  |
| 18                  | SLEM18R-2LF      | SLEM18S-2LF   | 28.75             | 23.95  |
| 19                  | SLEM19R-2LF      | SLEM19S-2LF   | 30.00             | 25.20  |
| 20                  | SLEM20R-2LF      | SLEM20S-2LF   | 31.25             | 26.45  |
| 21                  | SLEM21R-2LF      | SLEM21S-2LF   | 32.50             | 27.70  |
| 22                  | SLEM22R-2LF      | SLEM22S-2LF   | 33.75             | 28.95  |
| 23                  | SLEM23R-2LF      | SLEM23S-2LF   | 35.00             | 30.20  |
| 24                  | SLEM24R-2LF      | SLEM24S-2LF   | 36.25             | 31.45  |
| 25                  | SLEM25R-2LF      | SLEM25S-2LF   | 37.50             | 32.70  |
| 26                  | SLEM26R-2LF      | SLEM26S-2LF   | 38.75             | 33.95  |
| 27                  | SLEM27R-2LF      | SLEM27S-2LF   | 40.00             | 35.20  |
| 28                  | SLEM28R-2LF      | SLEM28S-2LF   | 41.25             | 36.45  |
| 29                  | SLEM29R-2LF      | SLEM29S-2LF   | 42.50             | 37.70  |
| 30                  | SLEM30R-2LF      | SLEM30S-2LF   | 43.75             | 38.95  |

STRUCTURE OF CAT. NO.



NOTE: DIM. A & B REFER TO DWG. OF PRODUCT.



FCIconnect.com

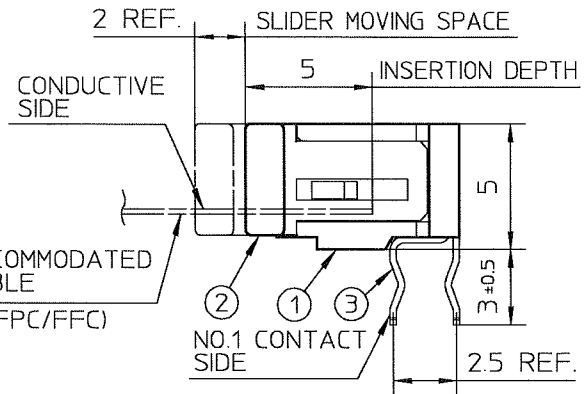
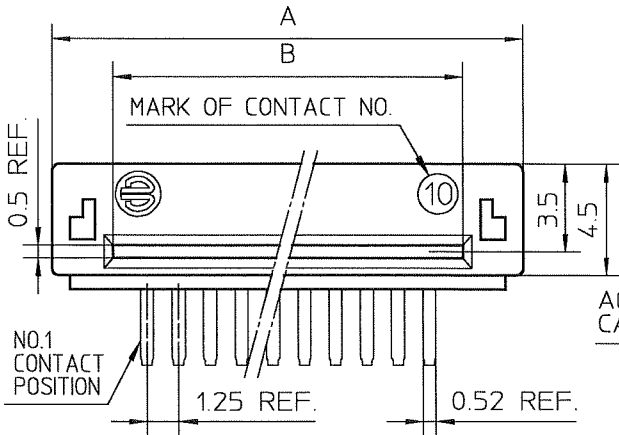
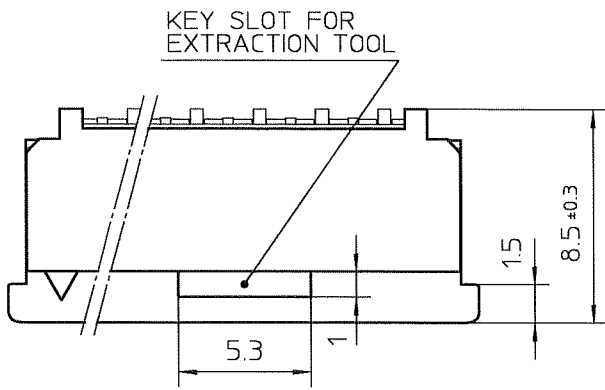
Copyright FCI

|             |  |  |  |                       |  |                               |  |                |  |  |  |  |  |
|-------------|--|--|--|-----------------------|--|-------------------------------|--|----------------|--|--|--|--|--|
| mat'l. code |  |  |  | surface<br>ISO 1302 ✓ |  | tolerance<br>ISO 406 ISO 1101 |  | projection<br> |  | product family<br>58KF   |  |  |  |
| ltr         |  |  |  | ecn no                |  | dr                            |  | date           |  | title<br>CAT. NO. TABLE FOR 1.25mm SPACING CONNECTOR FOR FPC/FFC (Cat. No. SLEM_R/S-2LF) |  |  |  |
| A           |  |  |  | J04-0029              |  | H.T                           |  | 5/11/04        |  | scale X<br>  |  |  |  |
| B           |  |  |  | J05-0080              |  | H.T                           |  | 2/15/05        |  |  |  |  |  |
| C           |  |  |  | J06-0501              |  | H.T                           |  | 11/28/06       |  |  |  |  |  |
|             |  |  |  |                       |  | dr                            |  | 11/28/06       |  | dwg no<br>JSA 95982<br>sheet 1 of 1<br>size<br>A4  |  |  |  |
|             |  |  |  |                       |  | engr                          |  | 11/28/06       |  |  |  |  |  |
|             |  |  |  |                       |  | chr                           |  | 11/28/06       |  |  |  |  |  |
|             |  |  |  |                       |  | appd                          |  | 11/28/06       |  |  |  |  |  |
| sheet index |  |  |  | revision sheet        |  | C                             |  | 1              |  | type Product Customer Drawing  |  |  |  |
|             |  |  |  |                       |  |                               |  |                |  | Rev<br>C   |  |  |  |



FCIconnect.com

Copyright FCI

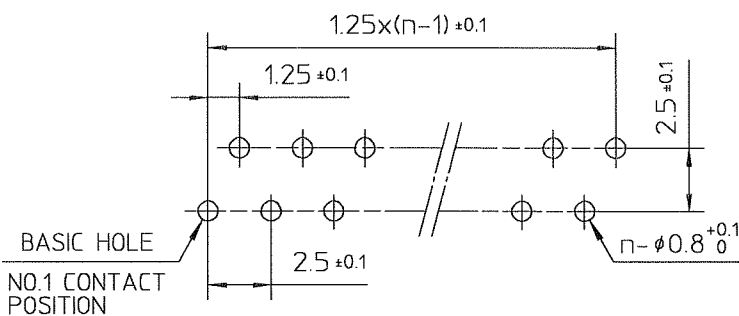


| PT. NO. | PARTS NAME | MATERIAL                   | Q'TY | NOTE                      |
|---------|------------|----------------------------|------|---------------------------|
| 1       | HOUSING    | PBT RESIN GLASS REINFORCED | 1    | COLOR : BLACK             |
| 2       | SLIDER     | (UL94V-0)                  | 1    |                           |
| 3       | CONTACT    | PHOSPHOR BRONZE            | n    | PLATING : TIN (LEAD FREE) |

n : NO. OF CONTACTS

RECOMMENDED PC BOARD

THICKNESS : 1.0~1.6  
HOLE PATTERN (COMPONENT SIDE)



NOTE

1. THIS PRODUCT MEETS EUROPEAN UNION DIRECTIVES AND OTHER COUNTRY REGULATIONS AS DESCRIBED IN GS-22-008.
2. THE HOUSING WILL WITHSTAND EXPOSURE TO 260°C PEAK TEMPERATURE FOR 10 SECONDS IN A WAVE SOLDER APPLICATION A 1.6mm THICK CIRCUIT BOARD.

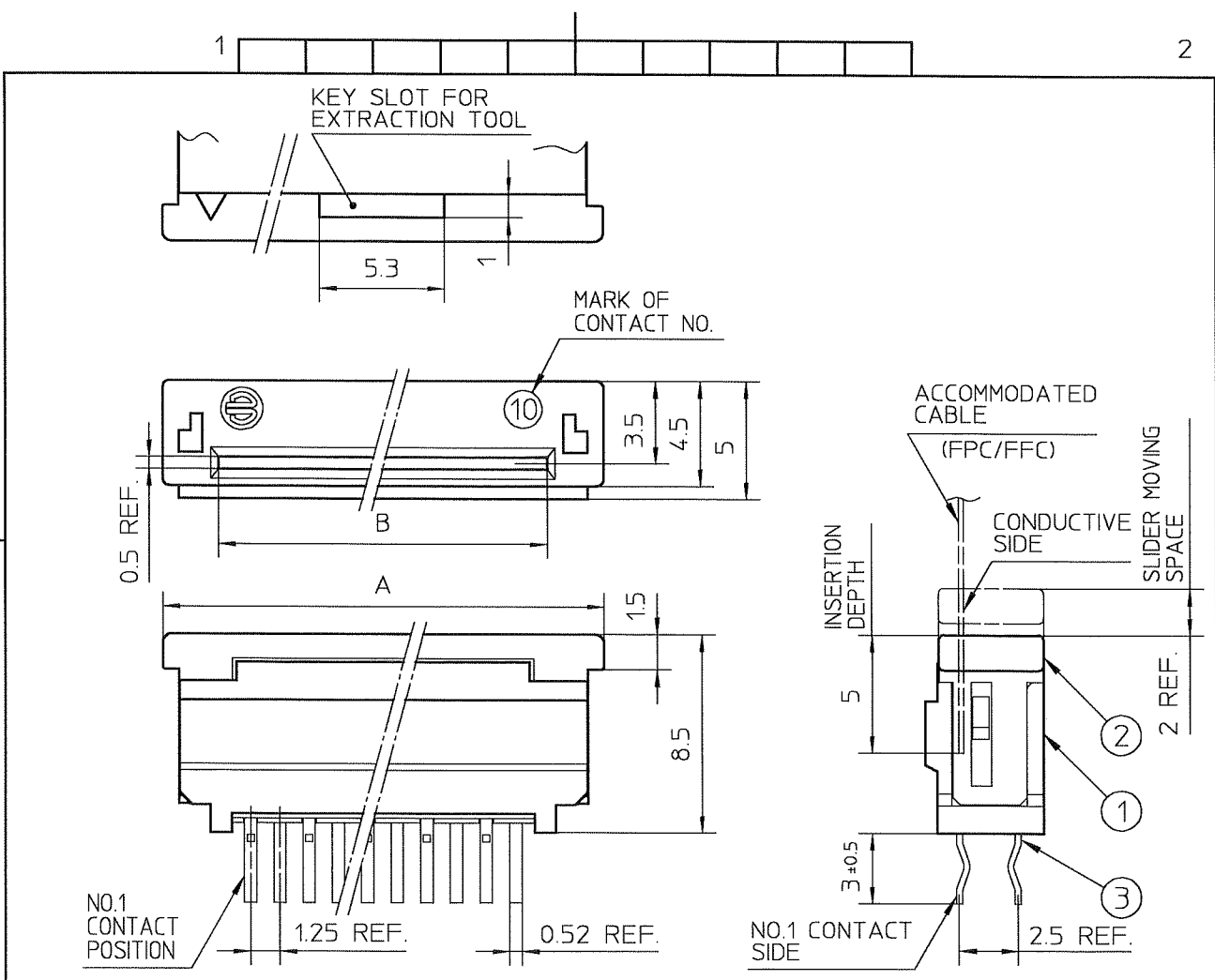
|             |          |     |          |                                       |                               |                |   |                     |  |  |
|-------------|----------|-----|----------|---------------------------------------|-------------------------------|----------------|---|---------------------|--|--|
| mat'l. code |          |     |          | surface<br>ISO 1302 ✓                 | tolerance<br>ISO 406 ISO 1101 | projection<br> | product family<br>58KF  |                     |  |  |
| ltr         | ecn no   | dr  | date     | tolerances unless otherwise specified |                               |                | title<br>125mm SPACING CONNECTOR FOR FPC/FFC<br>(Cat. No. SLEM_R-2LF) |                     |  |  |
| A           | J04-0029 | H.T | 5/11/04  | angles                                | ±0.2                          |                | scale   | dwg no<br>JSA 95983 |  |  |
| B           | J05-0080 | H.T | 2/15/05  | linear                                |                               |                |   | sheet 1 of 1        |  |  |
| C           | J05-0712 | H.T | 10/21/05 | dr                                    |                               |                | size<br>A4  |                     |  |  |
| D           | J06-0501 | H.T | 11/28/06 | engr                                  |                               |                | type<br>Product Customer Drawing                                      |                     |  |  |
|             |          |     |          | chr                                   |                               |                | Rev   |                     |  |  |
|             |          |     |          | appd                                  |                               |                | D   |                     |  |  |
|             |          |     |          |                                       |                               |                |   |                     |  |  |

SC-SLEM02 JSA95982  
form: A4



FCIconnect.com

Copyright FCI

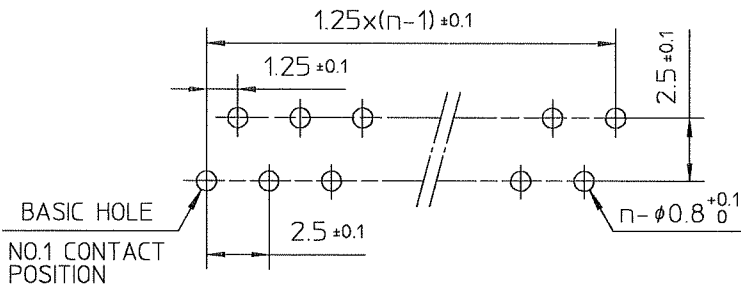


| PT. NO. | PARTS NAME | MATERIAL                   | Q'TY | NOTE                      |
|---------|------------|----------------------------|------|---------------------------|
| 1       | HOUSING    | PBT RESIN GLASS REINFORCED | 1    | COLOR : BLACK             |
| 2       | SLIDER     | (UL94V-0)                  | 1    |                           |
| 3       | CONTACT    | PHOSPHOR BRONZE            | n    | PLATING : TIN (LEAD FREE) |

n : NO. OF CONTACTS

RECOMMENDED PC BOARD

THICKNESS : 1.0~1.6  
HOLE PATTERN (COMPONENT SIDE)



NOTE

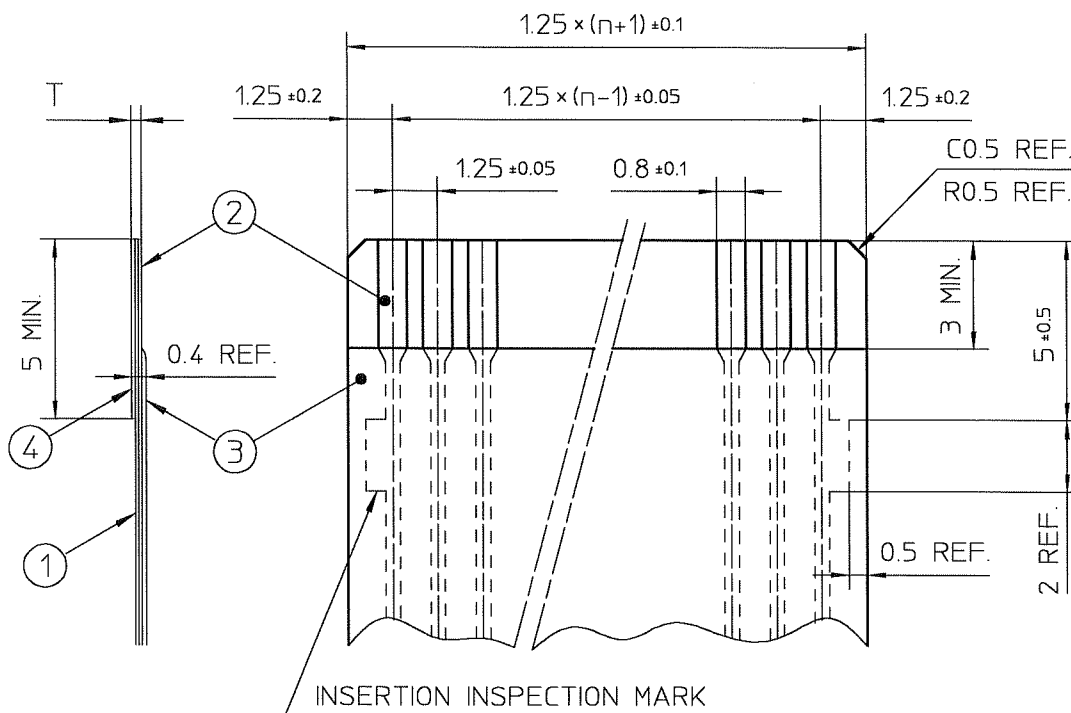
1. THIS PRODUCT MEETS EUROPEAN UNION DIRECTIVES AND OTHER COUNTRY REGULATIONS AS DESCRIBED IN GS-22-008.
2. THE HOUSING WILL WITHSTAND EXPOSURE TO 260c PEAK TEMPERATURE FOR 10 SECONDS IN A WAVE SOLDER APPLICATION A 1.6mm THICK CIRCUIT BOARD.

|             |          |                |          |                                       |             |                            |  |            |  |   |  |                               |  |
|-------------|----------|----------------|----------|---------------------------------------|-------------|----------------------------|--|------------|--|---|--|-------------------------------|--|
| mat'l. code |          |                |          | surface ISO 1302 ✓                    |             | tolerance ISO 406 ISO 1101 |  | projection |  | product family 58KF   |  |                               |  |
| ltr         | ecn no   | dr             | date     | tolerances unless otherwise specified |             |                            |  |            |  | title<br>1.25mm SPACING CONNECTOR FOR FPC/FFC<br>(Cat. No. SLEM__S-2LF) |  |                               |  |
| A           | J04-0029 | H.T            | 5/11/04  | angles                                | linear ±0.2 |                            |  |            |  |   |  | scale X                       |  |
| B           | J05-0080 | H.T            | 2/15/05  |                                       |             |                            |  |            |  | dwg no JSA 95984 sheet 1 of 1 size A4                                   |  |                               |  |
| C           | J05-0712 | H.T            | 10/21/05 |                                       |             |                            |  |            |  |   |  | type Product Customer Drawing |  |
| D           | J06-0501 | H.T            | 11/28/06 |                                       |             |                            |  |            |  |   |  |                               |  |
| sheet index |          | revision sheet |          | D                                     |             | 1                          |  | D          |  | Rev D   |  |                               |  |

SC-SLEM02 JSA95982  
form: A4

RECOMMENDED CABLE (FPC)

n : NO. OF CONDUCTORS



| PT. NO. | PARTS NAME      | MATERIAL                                       |
|---------|-----------------|--|
| 1       | BASE FILM       | POLYIMIDE OR EQUAL                             |
| 2       | CONDUCTOR       | COPPER FOIL (PLATING : TIN OR SOLDER 1μm MIN.) |
| 3       | OVERLAY         | POLYIMIDE OR EQUAL                             |
| 4       | SUPPORTING TAPE | POLYESTER, POLYIMIDE OR EQUAL                  |

THICKNESS

| SUPPORTING TAPE | ACCOMMODATED CONNECTOR CAT. NO. | DIMENSION T |
|-----------------|---------------------------------|-------------|
| NO              | SLEM__R/S-1                     | 0.08~0.13   |
| YES             | SLEM__R/S-2                     | 0.25~0.35   |

NOTES

1. NO BURR AT EACH PORTION.
2. NO PEELING IN COMMON USE.

|             |  |                |  |  |  |                            |  |            |  |   |  |
|-------------|--|----------------|--|--|--|----------------------------|--|------------|--|---|--|
| mat'l. code |  |                |  | surface ISO 1302 <input checked="" type="checkbox"/> |  | tolerance ISO 406 ISO 1101 |  | projection |  | product family 58KF                                   |  |
| ltr         |  |                |  | ecn no   |  | dr                         |  | date       |  | title   |  |
| 1           |  |                |  |  |  | H.T                        |  | 10/15/98   |  | RECOMMENDED CABLE (FPC)<br>(Cat. No. SLEM __R/S-1/2.) |  |
| A           |  |                |  | J06-0501   |  | H.T                        |  | 11/28/06   |  |   |  |
|             |  |                |  | angles   |  | linear                     |  | scale X    |  | dwg no  |  |
|             |  |                |  |  |  |                            |  |            |  | sheet 1 of 1  |  |
|             |  |                |  | dr   |  | engr                       |  | chr        |  | JSA 28970   |  |
|             |  |                |  | S. Ito   |  | H. Ito                     |  | K. Ito     |  | A4  |  |
|             |  |                |  | appd   |  | S. Ito                     |  | H. Ito     |  | type Product Customer Drawing                         |  |
| sheet index |  | revision sheet |  | A  |  | 1                          |  |            |  | Rev   |  |
|             |  |                |  |  |  |                            |  |            |  | A   |  |



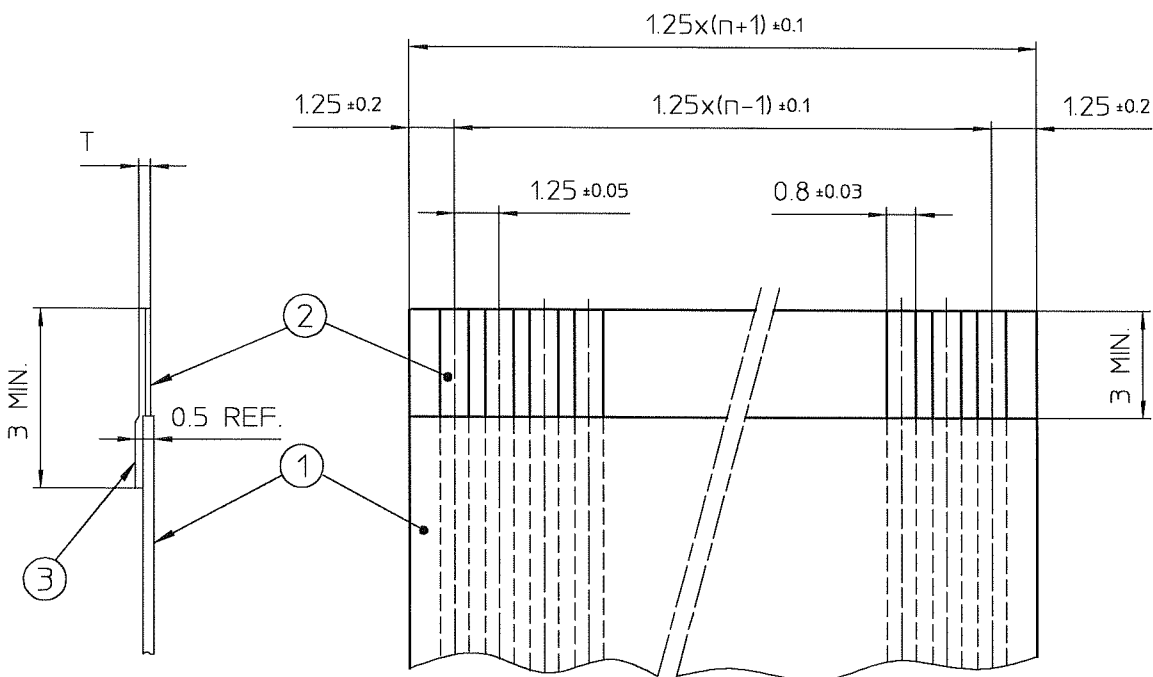
FCJconnect.com

Copyright FCJ



RECOMMENDED CABLE (FFC)

n : NO. OF CONDUCTORS



| PT. NO. | PARTS NAME      | MATERIAL                                      |
|---------|-----------------|---|
| 1       | INSULATOR       | POLYESTER OR EQUAL                            |
| 2       | CONDUCTOR       | COPPER FOIL(PLATING : TIN OR SOLDER 1μm MIN.) |
| 3       | SUPPORTING TAPE | POLYESTER OR EQUAL                            |

THICKNESS

| SUPPORTING TAPE | ACCOMMODATED CONNECTOR CAT. NO. | DIMENSION T |
|-----------------|---------------------------------|-------------|
| YES             | SLEM_R/S-2                      | 0.25~0.35   |

NOTES

1. NO BURR AT EACH PORTION.
2. NO PEELING IN COMMON USE.

|             |                |     |          |                                       |                       |                            |  |            |                               |   |              |   |
|-------------|----------------|-----|----------|---------------------------------------|-----------------------|----------------------------|--|------------|-------------------------------|---|--------------|---|
| mat'l. code |                |     |          | surface ISO 1302 ✓                    |                       | tolerance ISO 406 ISO 1101 |  | projection |                               | product family 58KF                                       |              |   |
| ltr         | ecn no         | dr  | date     | tolerances unless otherwise specified |                       |                            |  | scale X    |                               | title<br>RECOMMENDED CABLE (FFC)<br>(Cat. No. SLEM_R/S-2) |              |   |
| 1           |                | H.T | 10/15/98 | angles                                | linear                |                            |  |            |                               |   |              |   |
| A           | J06-0501       | H.T | 11/28/06 | dr                                    | <i>H. Takahashi</i>   | 11/28/06                   |  |            | dwg no JSA 28971              |   | sheet 1 of 1 |   |
|             |                |     |          | enr                                   | <i>H. Takahashi</i>   | 11/28/06                   |  |            | size A4                       |   |              |   |
|             |                |     |          | chr                                   | <i>K. S. H. Ouchi</i> | 11/28/06                   |  |            | type Product Customer Drawing |   |              |   |
|             |                |     |          | appd                                  | <i>S. H. Ouchi</i>    | 11/28/06                   |  |            | Rev                           |   |              |   |
| sheet index | revision sheet | A   | 1        |                                       |                       |                            |  |            |                               |   |              | A |



FCJconnect.com

Copyright FCJ