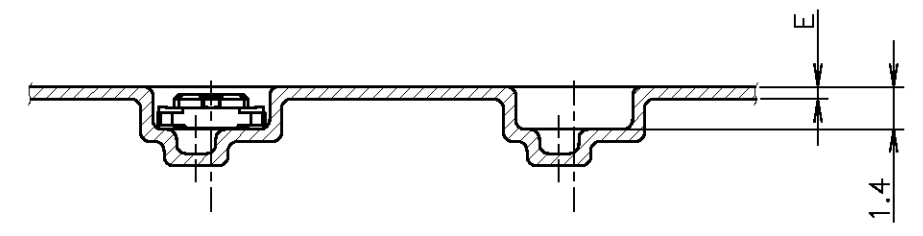
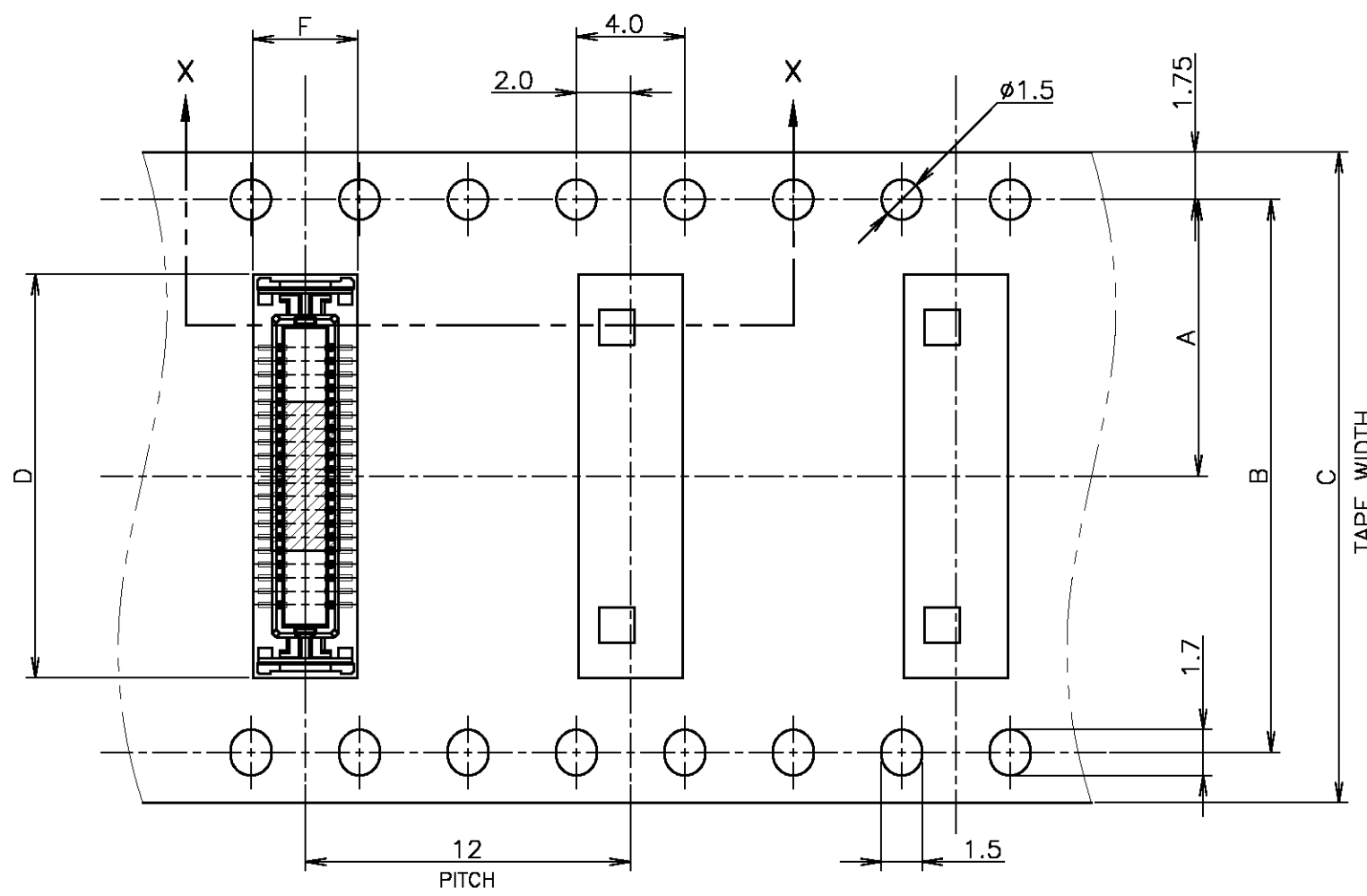


THIS DRAWING IS UNPUBLISHED. RELEASED FOR PUBLICATION NOV, 2004.
 © COPYRIGHT 2004 By - ALL RIGHTS RESERVED.

LOC	DIST	REVISIONS					
J	/	P	LTR	DESCRIPTION	DATE	DWN	APVD
		G		REVISED PER ECR-11-002357	05MAY11	TT	TM

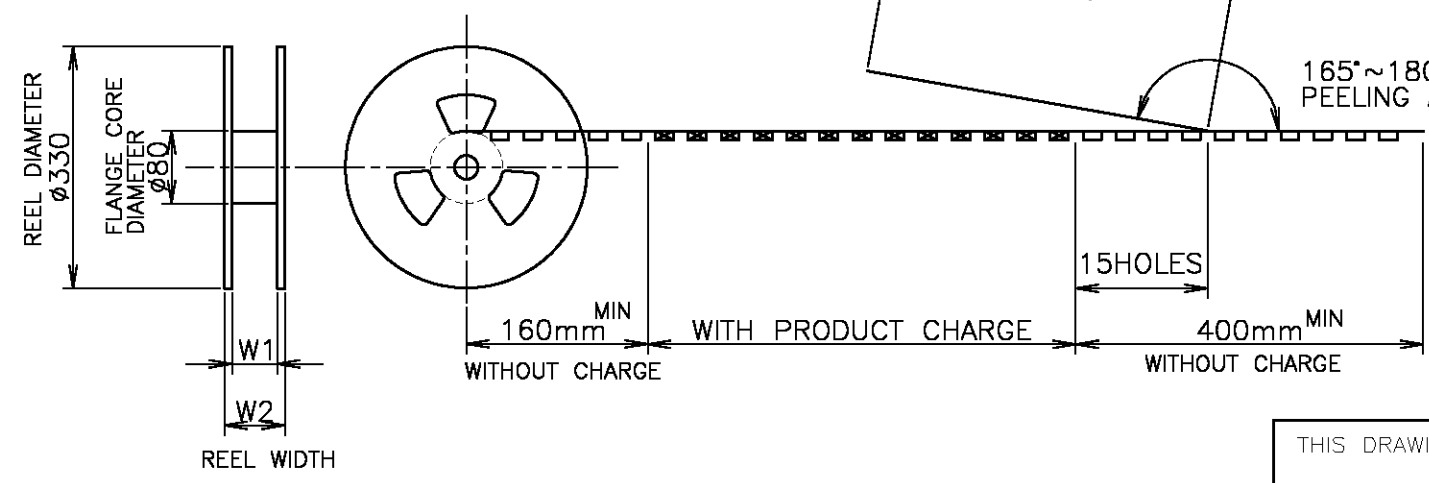


- 1 MATING COUNTER PART NUMBER: 5353158
- △ MATERIAL
HOUSING: HIGH HEAT-RESISTED
CONTACT: COPPER ALLOY (t=0.15), Au-PLT
SOLDER PEG: COPPER ALLOY (t=0.15), TIN-PLT
- △ CONTACT: CONTACT POINT Au-PLT. 0.00076 MIN.
- △ HSG: LCP VERSION
- △ SUPERSEDED LIST

FROM	TO
7-5353164-0	7-5353164-7
7-5353164-5	7-5353164-6
8-5353164-0	8-5353164-6

TOP OF REEL →

WEEDING THE COVER TAPE AROUND THE OUTER PERIPHERY IN A TURN.
 165°~180° PEELING ANGLE.



△4	48.7	45.5	3.86	0.4	24.9	44	40.4	20.2	1500	80	8-5353164-7
△4	48.7	45.5	3.86	0.4	24.9	44	40.4	20.2	1500	80	8-5353164-6
	48.7	45.5	3.86	0.4	24.9	44	40.4	20.2	1500	80	8-5353164-5
△5	48.7	45.5	3.86	0.4	24.9	44	40.4	20.2	1500	80	8-5353164-0
△4	48.7	45.5	3.86	0.4	22.4	44	40.4	20.2	1500	70	7-5353164-7
△4	48.7	45.5	3.86	0.4	22.4	44	40.4	20.2	1500	70	7-5353164-6
△5	48.7	45.5	3.86	0.4	22.4	44	40.4	20.2	1500	70	7-5353164-5
△5	48.7	45.5	3.86	0.4	22.4	44	40.4	20.2	1500	70	7-5353164-0
△4	37.5	33.5	3.8	0.4	19.85	32	28.4	14.2	1500	60	6-5353164-6
	37.5	33.5	3.8	0.4	19.85	32	28.4	14.2	1500	60	6-5353164-5
	37.5	33.5	3.8	0.4	19.85	32	28.4	14.2	1500	60	6-5353164-0
△4	29.5	25.5	3.8	0.4	17.35	24	—	11.5	1500	50	5-5353164-5

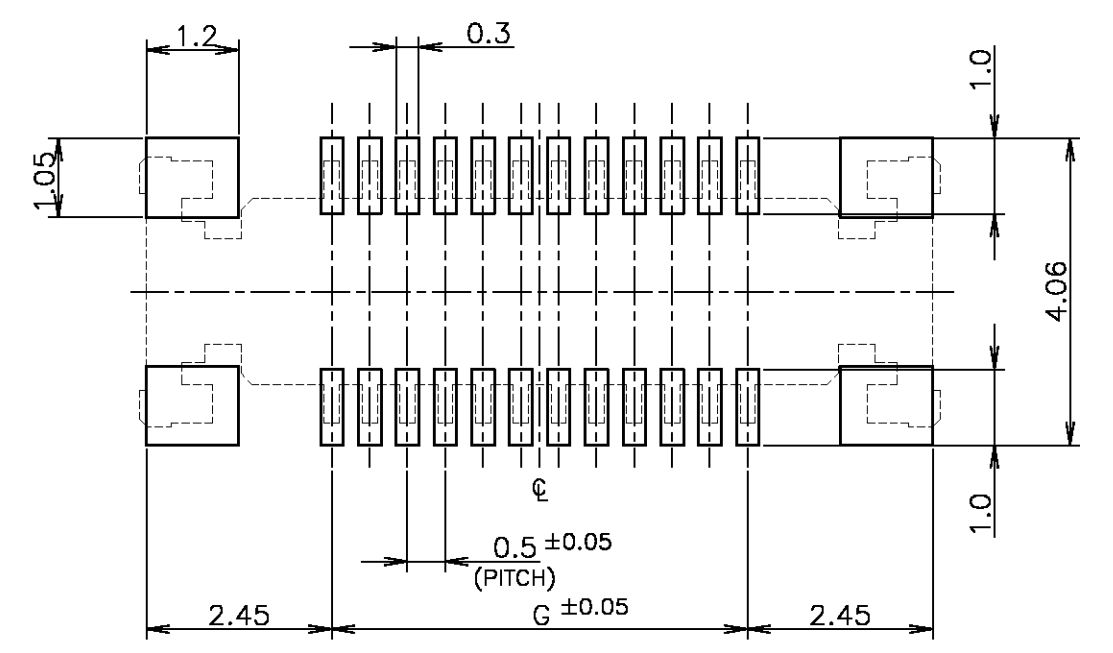
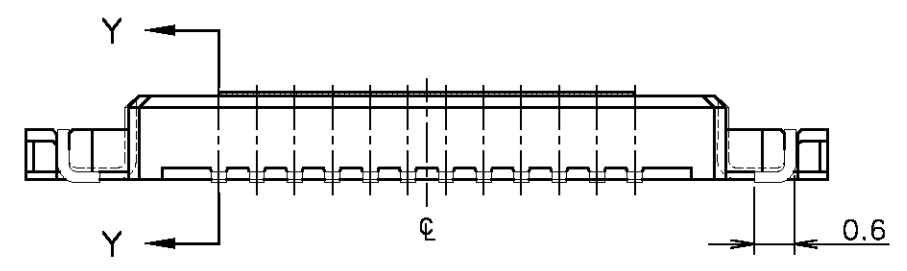
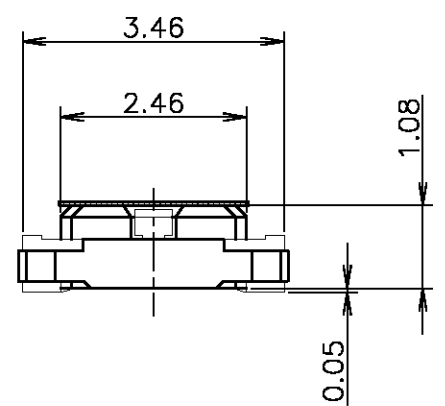
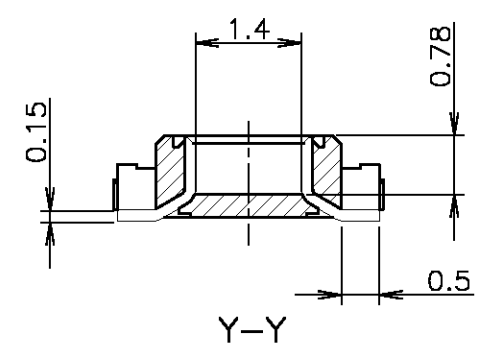
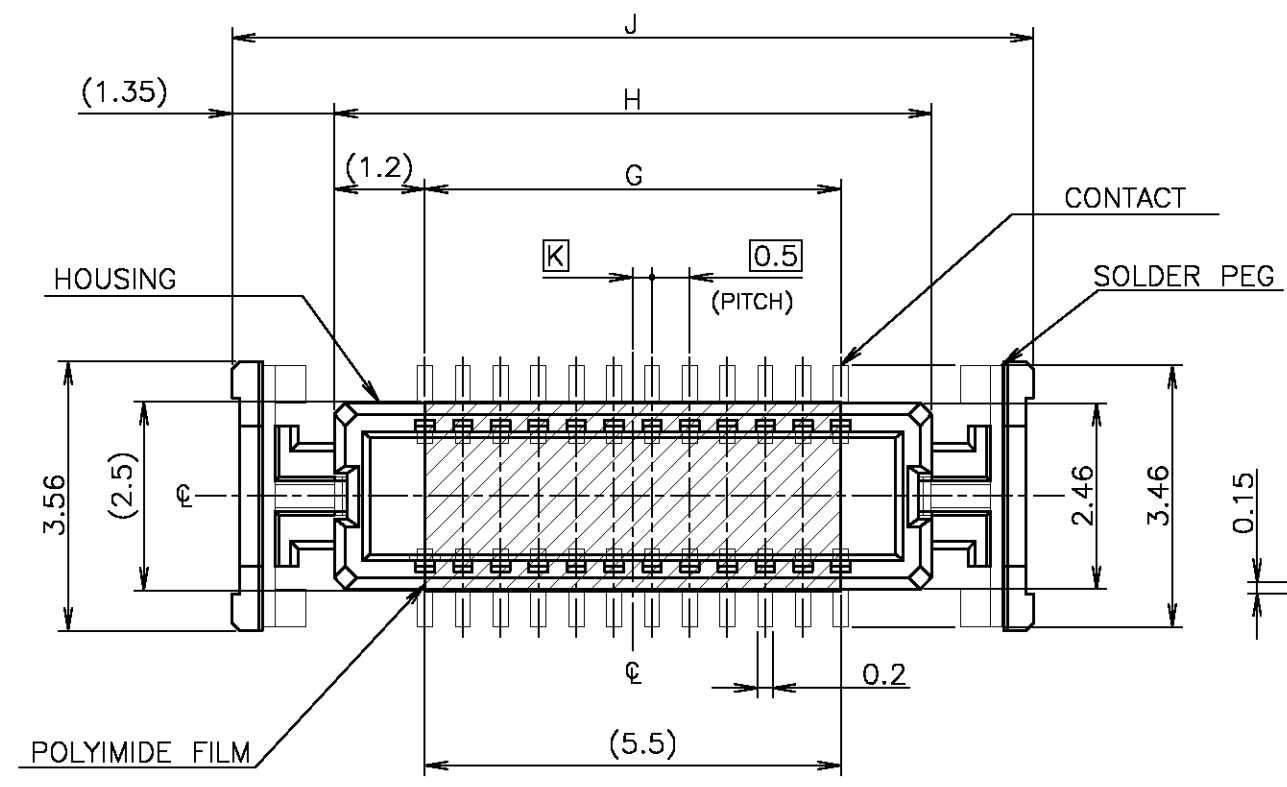
INSTRUCTION SHEET 411-5781

THIS DRAWING IS A CONTROLLED DOCUMENT.

DIMENSIONS: 单位: 耗 mm	TOLERANCES UNLESS OTHERWISE SPECIFIED: 一般公差	DWN J.ZHU 04NOV2004	 TE Connectivity
		CHK S.YAO 04NOV2004	
		APVD I.ENOMOTO 04NOV2004	
		NAME 108-60048	
		PRODUCT SPEC 製品規格	ON TAPING EMBOSS
		APPLICATION SPEC 取付適用規格	0.5mm PITCH FS CONN.
MATERIAL 材料	FINISH 仕上	WEIGHT	TAB ASSEMBLY WITH FILM
			SIZE A3 CAGE CODE 00779 DRAWING NO C-5353164 RESTRICTED TO
			CUSTOMER DRAWING SCALE 4:1 SHEET 1 OF 2 REV G

THIS DRAWING IS UNPUBLISHED. RELEASED FOR PUBLICATION NOV, 2004.
 © COPYRIGHT 2004 By - ALL RIGHTS RESERVED.

LOC	DIST	REVISIONS					
		P	LTR	DESCRIPTION	DATE	DWN	APVD
J	-	-	-	SEE SHEET 1	-	-	-



(T=0.6 MIN.)
P.C. BOARD LAYOUT (REF.)

△4	△3	0.25	24.6	21.9	19.5	80	8-5353164-7
△4	△3	0.25	24.6	21.9	19.5	80	8-5353164-6
	△3	0.25	24.6	21.9	19.5	80	8-5353164-5
	△5	0.25	24.6	21.9	19.5	80	8-5353164-0
	△4	---	22.1	19.4	17	70	7-5353164-7
△4	△3	---	22.1	19.4	17	70	7-5353164-6
△5	△3	---	22.1	19.4	17	70	7-5353164-5
	△5	---	22.1	19.4	17	70	7-5353164-0
△4	△3	0.25	19.6	16.9	14.5	60	6-5353164-6
	△3	0.25	19.6	16.9	14.5	60	6-5353164-5
		0.25	19.6	16.9	14.5	60	6-5353164-0
Ⓞ	OBSOLETE	---	17.1	14.4	12.0	50	5-5353164-5

INSTRUCTION SHEET		DIMENSION			POS.	PART NO.
411-5781		K	J	H	G	
DWN		TE Connectivity ON TAPING EMBOSS 0.5mm PITCH FS CONN. TAB ASSEMBLY WITH FILM				
CHK						
APVD						
NAME 名称						
PRODUCT SPEC 製品規格		SIZE	CAGE CODE	DRAWING NO 番号	RESTRICTED TO	
APPLICATION SPEC 取付適用規格		A3	00779	C-5353164	-	
WEIGHT		SCALE 尺度 10:1		SHEET 2 OF 2	REV G	

DIMENSIONS: 单位: 耗 mm		TOLERANCES UNLESS OTHERWISE SPECIFIED: 一般公差	
	0 PLC	± 0.2	± 3'
	1 PLC	± 0.2	
	2 PLC	± 0.2	
	3 PLC	± 0.2	
	4 PLC	± 0.2	
ANGLES	± 3'		
MATERIAL 材料	FINISH 仕上		
△	△		