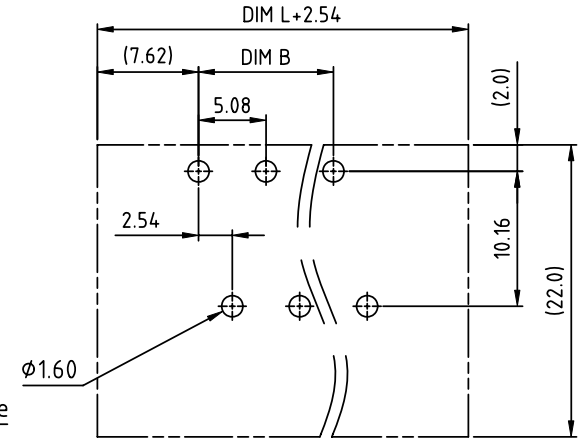
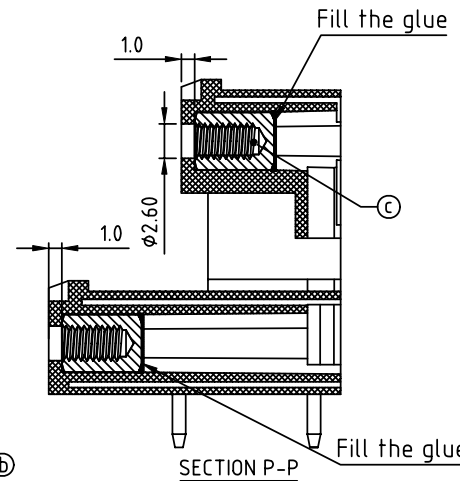
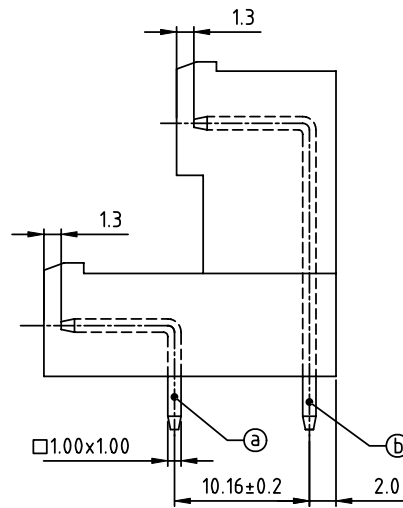
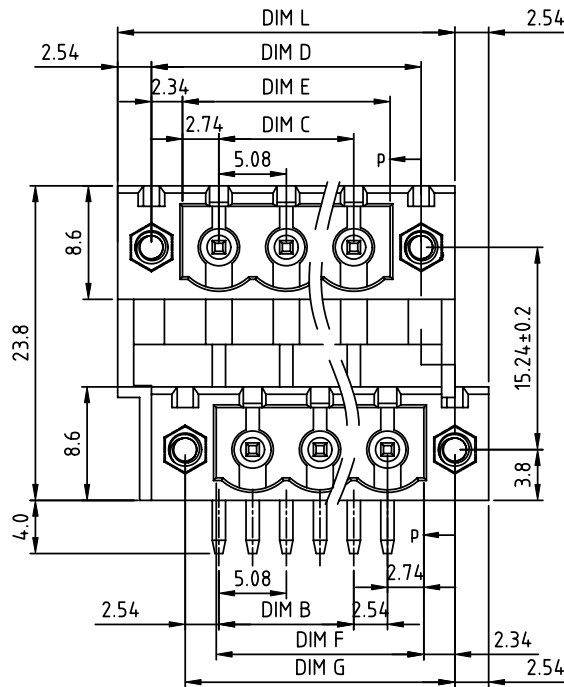
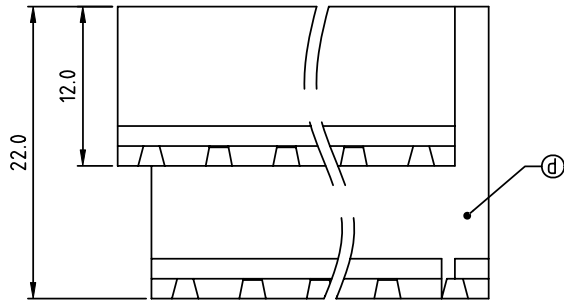


PRODUCT NUMBER	PITCH
VFxx52x100J0G	5.08 mm



RECOMMENDED P.C.B LAYOUT  
TOP VIEW

Material:

- Item (a) Short pin: Copper, Tin plated
- Item (b) Long pin: Copper, Tin plated
- Item (c) With flange nut: brass M2.5
- Item (d) Terminal(housing): Thermoplastic (UL94V-0)

Electrical cULus

- Voltage rating: 300VAC
- Current rating: 10A
- Withstanding Voltage: 1.6KV
- Operating temperature: -40°C to +115°C
- Soldering temperature: 260°C±5°C/5 Sec
- Safety Approval:

PART NO.: VF xx 52 x 1 00J0 G

Dimension	(N/2+2)×5.08
Dim L	(N/2+2)×5.08
Dim B	(N/2-1)×5.08
Dim C	(N/2-1)×5.08
Dim D	(N/2-1)×5.08+10.16
Dim E	(N/2-1)×5.08+5.48
Dim F	(N/2-1)×5.08+5.48
Dim G	(N/2-1)×5.08+10.16

N=Number of poles		
Poles	Tolerance	
2×2P-2×5P	±0.15	
2×6P-2×10P	±0.20	
2×11P-2×15P	±0.25	
2×16P-2×20P	±0.30	
2×21P-2×24P	±0.35	

	Solid block	No. of poles	Color	RoHS compliant (lead<4%) In copper Alloy
0	Black (RAL9005)	2	Red (RAL3001/D)	
04	2x2poles	3	Orange(RAL2011/P)	
06	2x3poles	4	Yellow(RAL1018/A)	
...	...	5	Green(RAL6018/T)	
48	2x24poles	6	Blue (RAL5015/A)	
		8	Grey(RAL7035/D)	
		9	White(RAL1102)	
		C	Green(RAL6018/U)	

mat'l. code				surface	tolerance	projection	product family
ltr	ecn	no	dr	ASME Y14.5	ASME Y14.5		TERMINAL BLOCK
			date	tolerances unless otherwise specified		MM	title
				angles	X.±0.5		TERMINAL BLOCK
				±	X.X±0.3		PLUGGABLE SOCKET, WITH FLANGE, RIGHT ANGLE
				X*±1"	X.XX±0.1	scale	dwg no
			dr	EVIN ZHONG	042914		sheet 1 of 1
			enr	EVIN ZHONG	042914		size
			chr	HANKE FENG	042914		VFxx52x100J0G
			appd	SHI JUN	042914		A4
sheet index	revision	A					type
	sheet	1					CUSTOMER Drawing