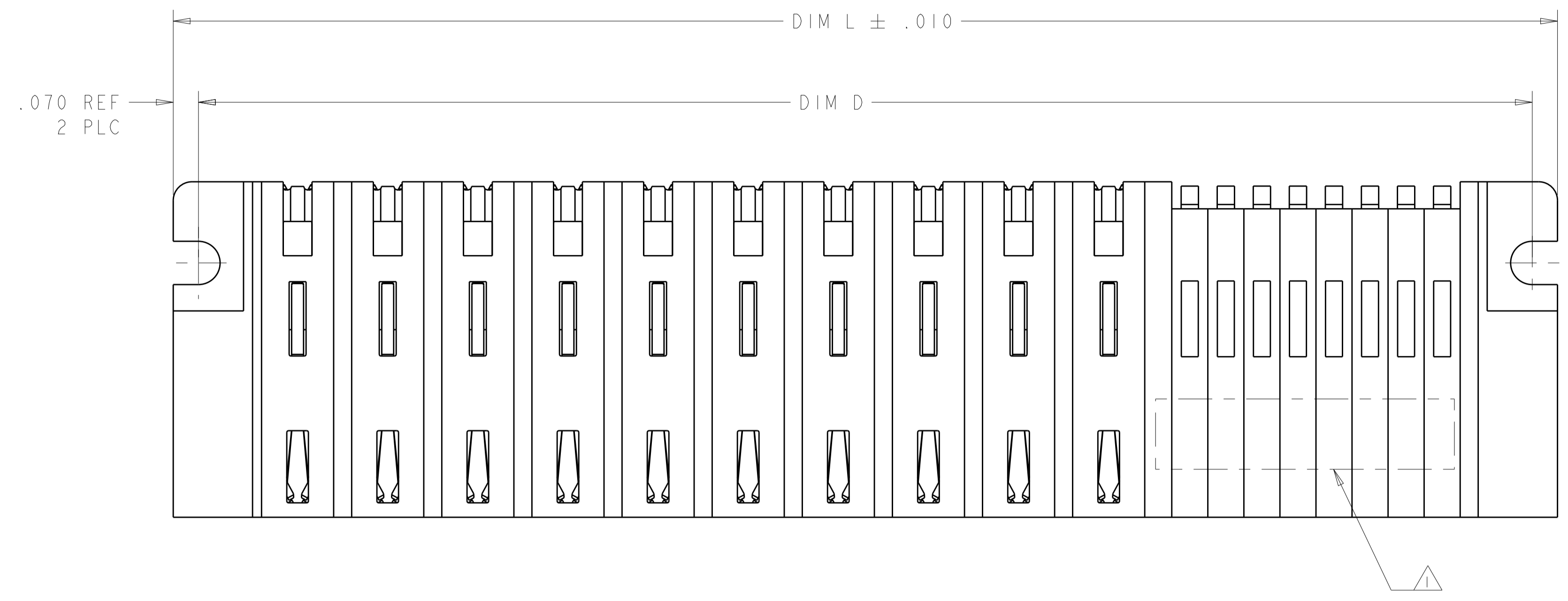
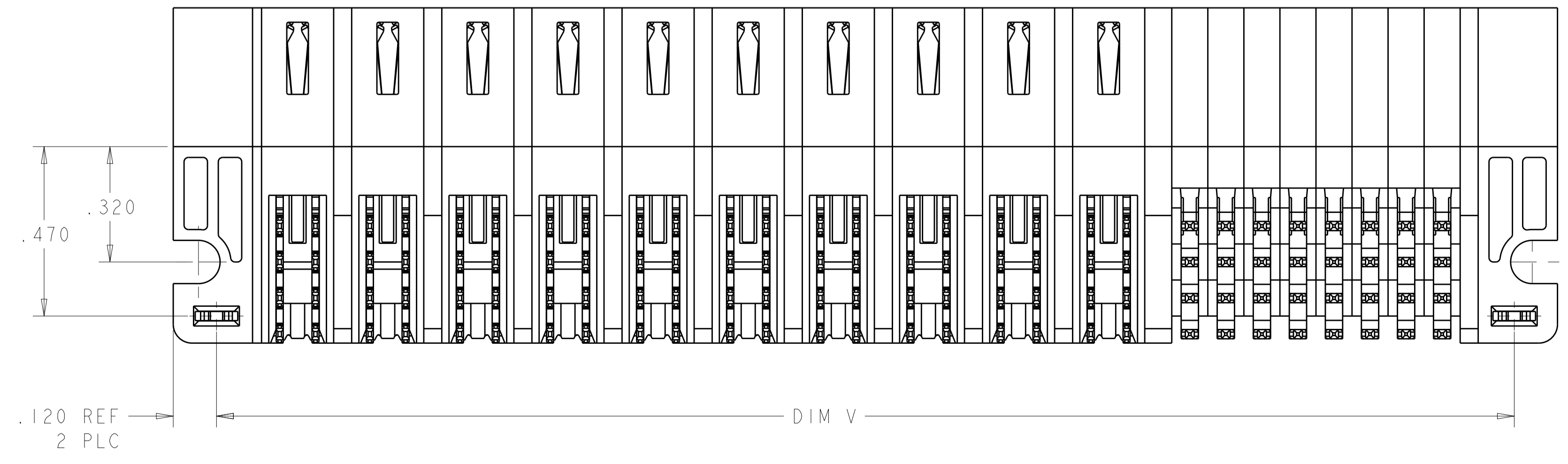
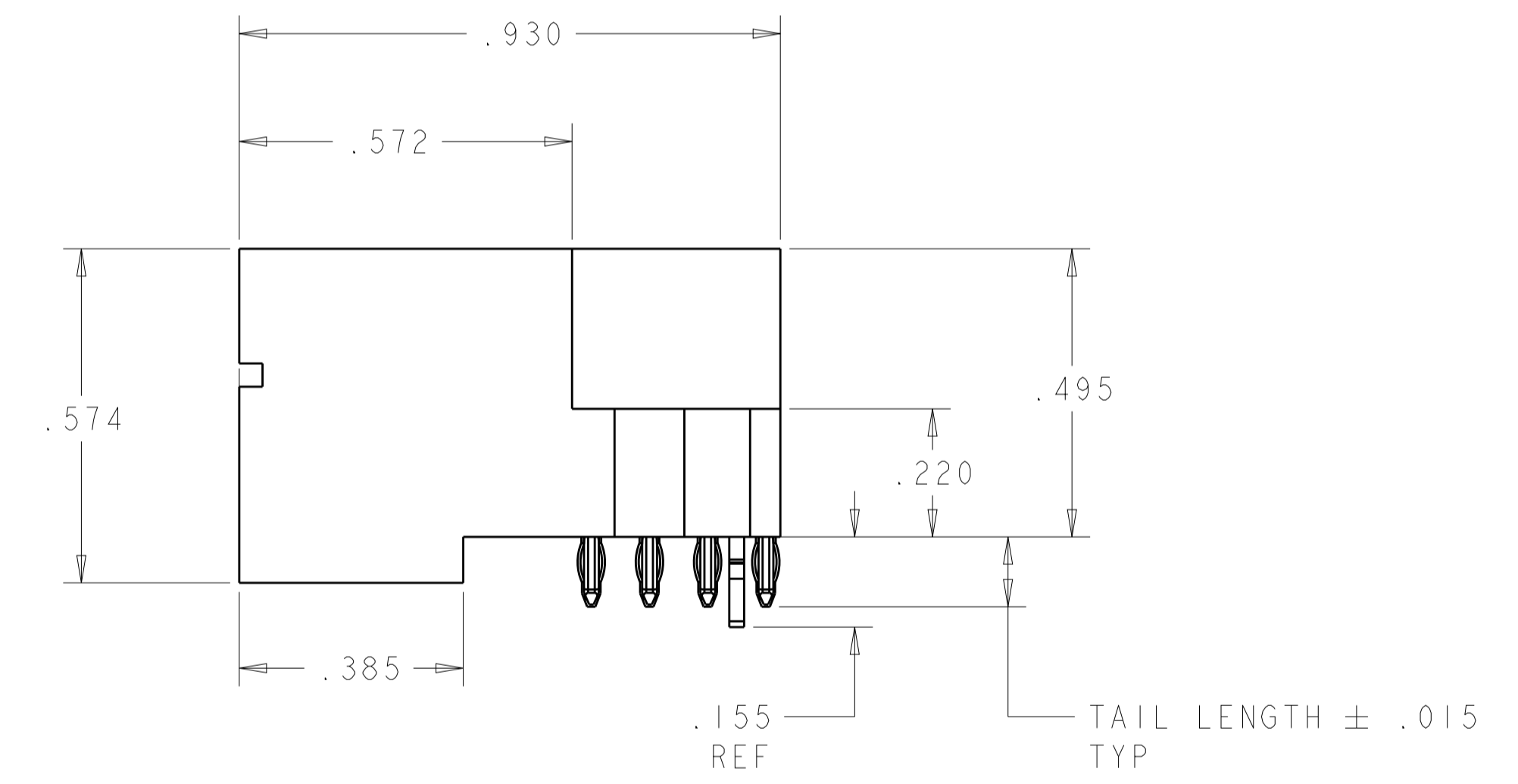
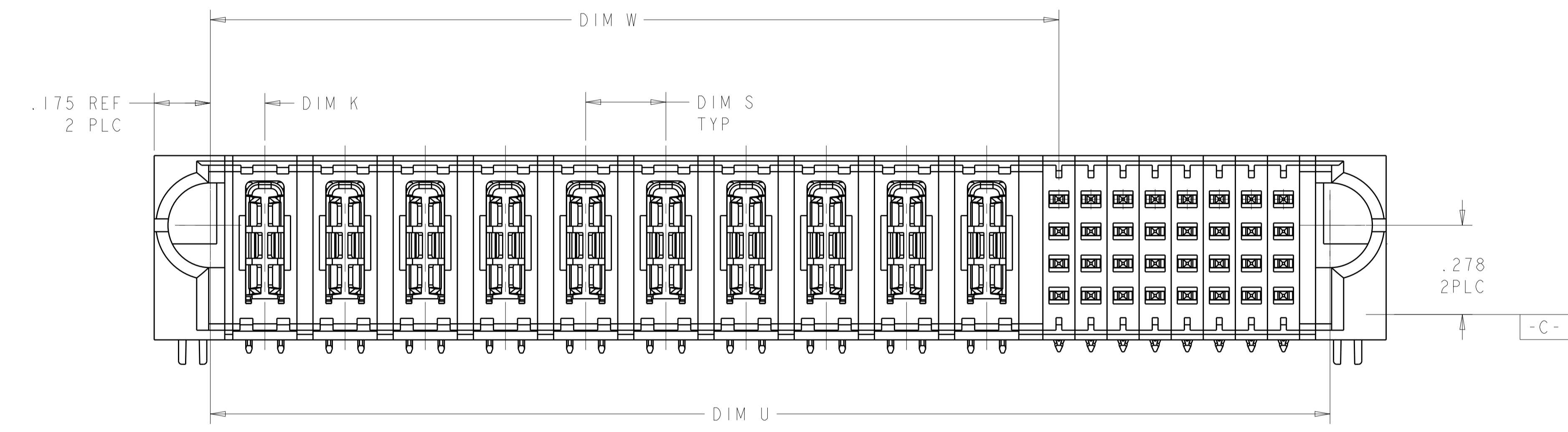


LOC		DIST		REVISIONS			
ES	00	P	LTN	DESCRIPTION	DATE	DWN	APVD
		B		REVISED I-O BY CUSTOMER	04MAR2015	CZ	SZ



- 1 "AMP", PART NUMBER, AND DATECODE TO BE MARKED IN AREA SHOWN. PARTS UNDER 2.00 LONG MAY BE MARKED ON BOTH SIDES.
- 2 MATERIAL: HOUSING - GLASS FILLED HIGH TEMP THERMO PLASTIC, BLACK, UL94 V-0  
 SIGNAL CONTACT - COPPER ALLOY  
 POWER CONTACT - HIGH CONDUCTIVITY COPPER ALLOY
- 3 CONTACT PLATING: NOBLE METAL PLATING ON CONTACT FUNCTIONAL AREA OF POWER AND SIGNAL CONTACTS
- 4 MECHANICAL CONNECTOR KEEP OUT ZONE.
- 5 DATUM AND BASIC DIMENSIONS ESTABLISHED BY CUSTOMER.
- 6 PCB - HOLE DIAMETERS ARE FINISHED HOLE SIZE.
- 7 PCB - .0453±.0010 DRILLED HOLES PLATED WITH .0003 MIN Sn OVER .001 TO .003 Cu PLATING TO ACHIEVE A .040 DIA HOLE.
- 8 NOT RELEASED FOR PRODUCTION.
- 9 VARIABLE DIMENSION SEE TABLE.



DIM V	DIM W	DIM U	DIM S	DIM D	DIM L	DIM K	DESCRIPTION	PART NUMBER
1.025	.620	.915	.250	1.125	1.265	.145	2P + 12S	1-6450842-0
3.550	2.795	3.440	9	3.650	3.790	.170	12P + 24S	6450842-7
3.500	2.795	3.390	9	3.600	3.740	.170	3ACP + 8P + 24S	6450842-5
3.550	3.020	3.440	9	3.650	3.790	.145	13P + 24S	6450842-4
3.500	2.795	3.390	9	3.600	3.740	.170	3ACP + 8P + 24S	6450842-2
3.350	2.445	3.240	9	3.450	3.590	.145	10P + 32S	6450842-3
3.600	2.645	3.490	.250	3.700	3.840	.170	10P + 32S	6450842-1

THIS DRAWING IS A CONTROLLED DOCUMENT. DWN: HESPER LIU 09JUL2008  
 CHK: S. ZHAO 09JUL2008  
 APVD: S. ZHAO

DIMENSIONS: INCHES  
 TOLERANCES UNLESS OTHERWISE SPECIFIED:  
 0 PLC ±.  
 1 PLC ±.01  
 2 PLC ±.01  
 3 PLC ±.005  
 4 PLC ±.0020  
 ANGLES ±.0020

MATERIAL: FINISH:

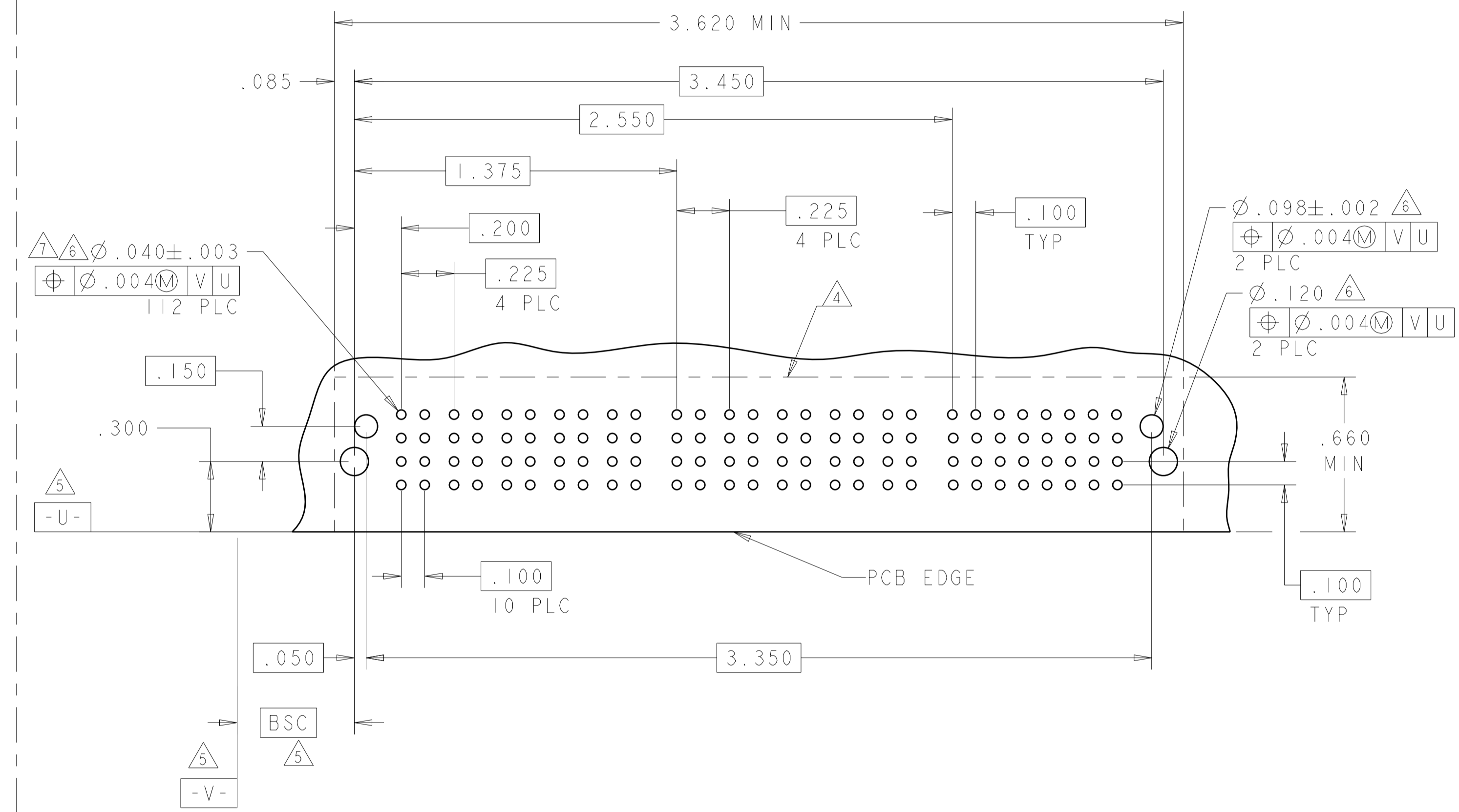
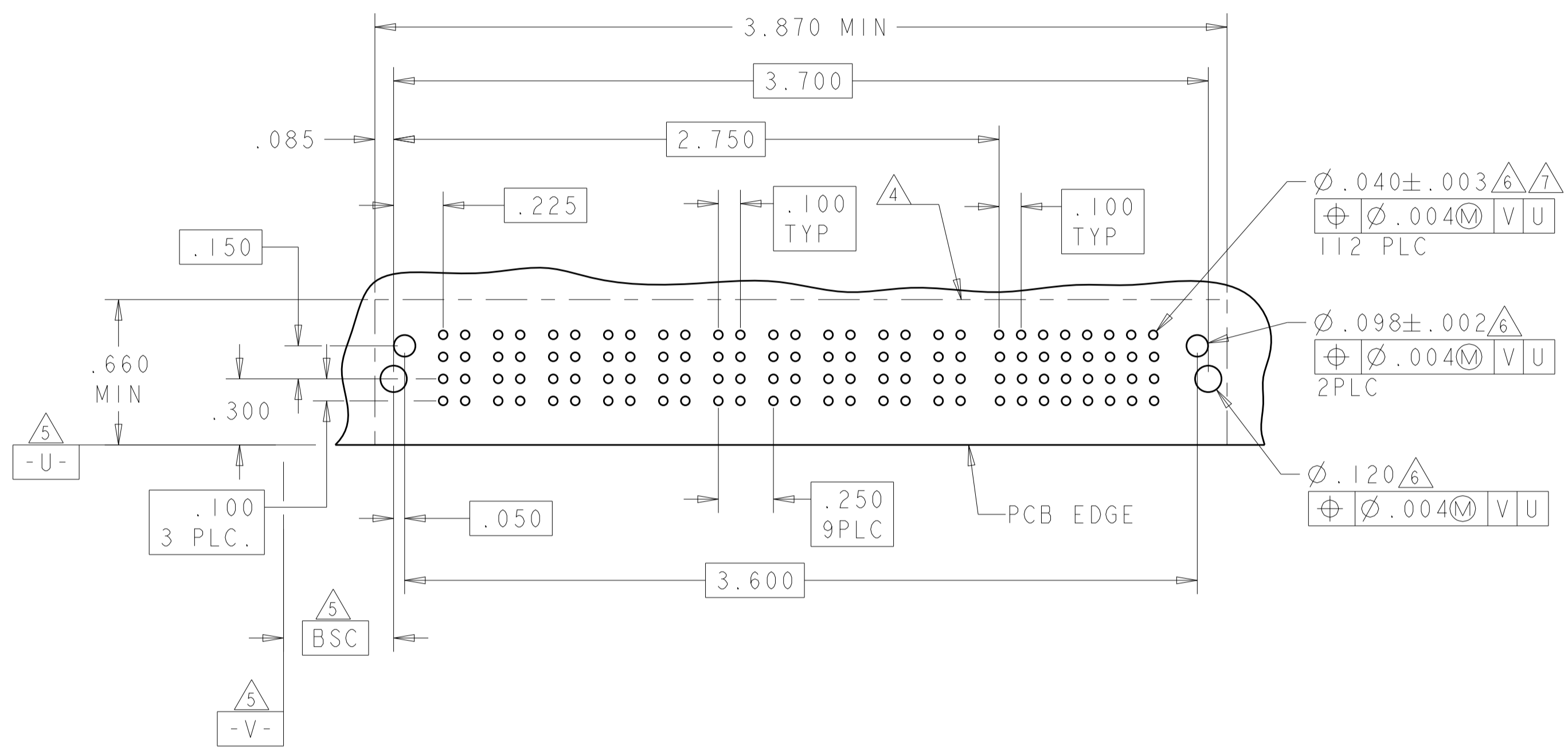
PRODUCT SPEC: 108-2292  
 APPLICATION SPEC: 114-13251  
 WEIGHT: -  
 CUSTOMER DRAWING

**STE** TE Connectivity  
 NAME: RIGHT ANGLE HEADER W/ LP CONTACT AND SHORT END MODULES MULTI-BEAM XLE  
 SIZE: A1  
 CAGE CODE: 00779  
 DRAWING NO: 6450842  
 RESTRICTED TO: -  
 SCALE: 4:1 SHEET 1 OF 6 REV B

LOC	DIST	REV	DATE	BY	APPV
ES	00				

PART NUMBER	ROWS	POWER										SIGNAL							
		P1	P2	P3	P4	P5	P6	P7	P8	P9	P10	1	2	3	4	5	6	7	8
6450842-1	D											Z5	Z5	Z5	Z5	Z5	Z5	Z5	Z5
	C	TT	TT	TT	TT	TT	TT	TT	TT	TT	TT	Y5	Y5	Y5	Y1	Y1	Y5	Y5	Y5
	B											R5	R5	R5	R1	R1	R5	R5	R5
	A											O5	O5	O5	O5	O5	O5	O5	O5
10P + 32S																			

PART NUMBER	ROWS	POWER										SIGNAL							
		P1	P2	P3	P4	P5	P6	P7	P8	P9	P10	1	2	3	4	5	6	7	8
6450842-3	D											Z5	Z5	Z5	Z5	Z5	Z5	Z5	Z5
	C	TT	TT	TT	TT	TT	TT	TT	TT	TT	TT	Y5	Y5	Y5	Y5	Y5	Y5	Y5	Y5
	B											R5	R5	R5	R5	R5	R5	R5	R5
	A											O1	O1	O1	O1	O1	O1	O1	O1
10P + 32S																			



DESCRIPTION	IDENTIFIER
HOLD DOWN	HD
.120 SIGNAL MLBF PRESS FIT CON, ROW C	Y1
.120 SIGNAL MLBF PRESS FIT CON, ROW B	R1
.120 SIGNAL MLBF PRESS FIT CON, ROW A	O1
.120 SIGNAL MLBF PRESS FIT CON, ROW D	Z1
.120 SIGNAL PRESS FIT CON, ROW A, STD	O5
.120 SIGNAL PRESS FIT CON, ROW B, STD	R5
.120 SIGNAL PRESS FIT CON, ROW C, STD	Y5
.120 SIGNAL PRESS FIT CON, ROW D, STD	Z5
.120 PRESS FIT POWER CON	TT

THIS DRAWING IS A CONTROLLED DOCUMENT. OWN: HESPER LTD, 09 JUL 2008. CHK: S. ZHAO, 09 JUL 2008. APVD: S. ZHAO.

DIMENSIONS: INCHES. TOLERANCES UNLESS OTHERWISE SPECIFIED: 0 PLC ±.01, 1 PLC ±.01, 2 PLC ±.01, 3 PLC ±.005, 4 PLC ±.002, ANGLES ±.020.

MATERIAL: FINISH:

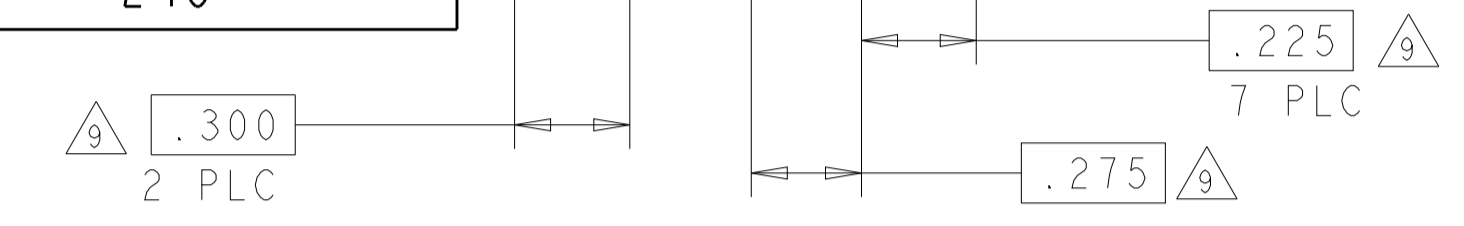
PRODUCT SPEC: 108-2292. APPLICATION SPEC: 114-13251. WEIGHT: CUSTOMER DRAWING.

NAME: RIGHT ANGLE HEADER W/ LP CONTACT AND SHORT END MODULES MULTI-BEAM XLE. SIZE: 114-13251. CAGE CODE: 6450842. DRAWING NO: A100779. SCALE: 4:1. SHEET 2 OF 6. REV B.

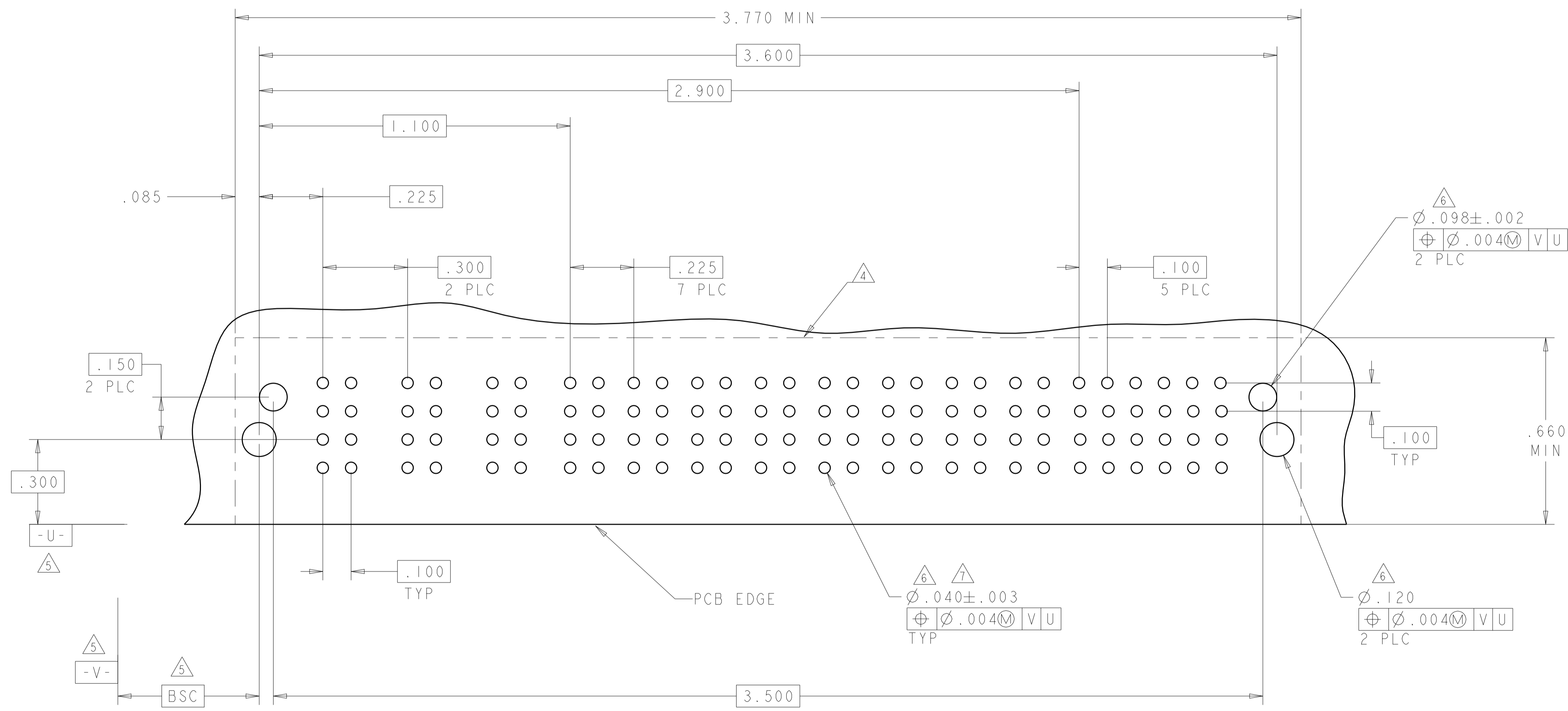
LOC	DIST	REV	DATE	BY	APP'D
ES	00				
REVISIONS					
DESCRIPTION			DATE	BY	APP'D
SEE SHEET 1					

PART NUMBER	ROWS	POWER										SIGNAL					
		P1	P2	P3	P4	P5	P6	P7	P8	P9	P10	P11	1	2	3	4	5
6450842-2	D C B A	TT	TT	TT	TT	TT	TT	TT	TT	TT	TT	Z1	Z1	Z5	Z5	Z1	Z1
												Y5	Y1	Y5	Y5	Y5	Y5
												R5	R1	R1	R1	R1	R1
												O5	O5	O5	O5	O5	O5

PART NUMBER	ROWS	POWER										SIGNAL					
		P1	P2	P3	P4	P5	P6	P7	P8	P9	P10	P11	1	2	3	4	5
6450842-5	D C B A	TT	TT	TT	TT	TT	TT	TT	TT	TT	TT	Z1	Z1	Z5	Z5	Z1	Z1
												Y5	Y1	Y5	Y5	Y5	Y5
												R5	R1	R5	R1	R1	R1
												O5	O5	O5	O5	O5	O5



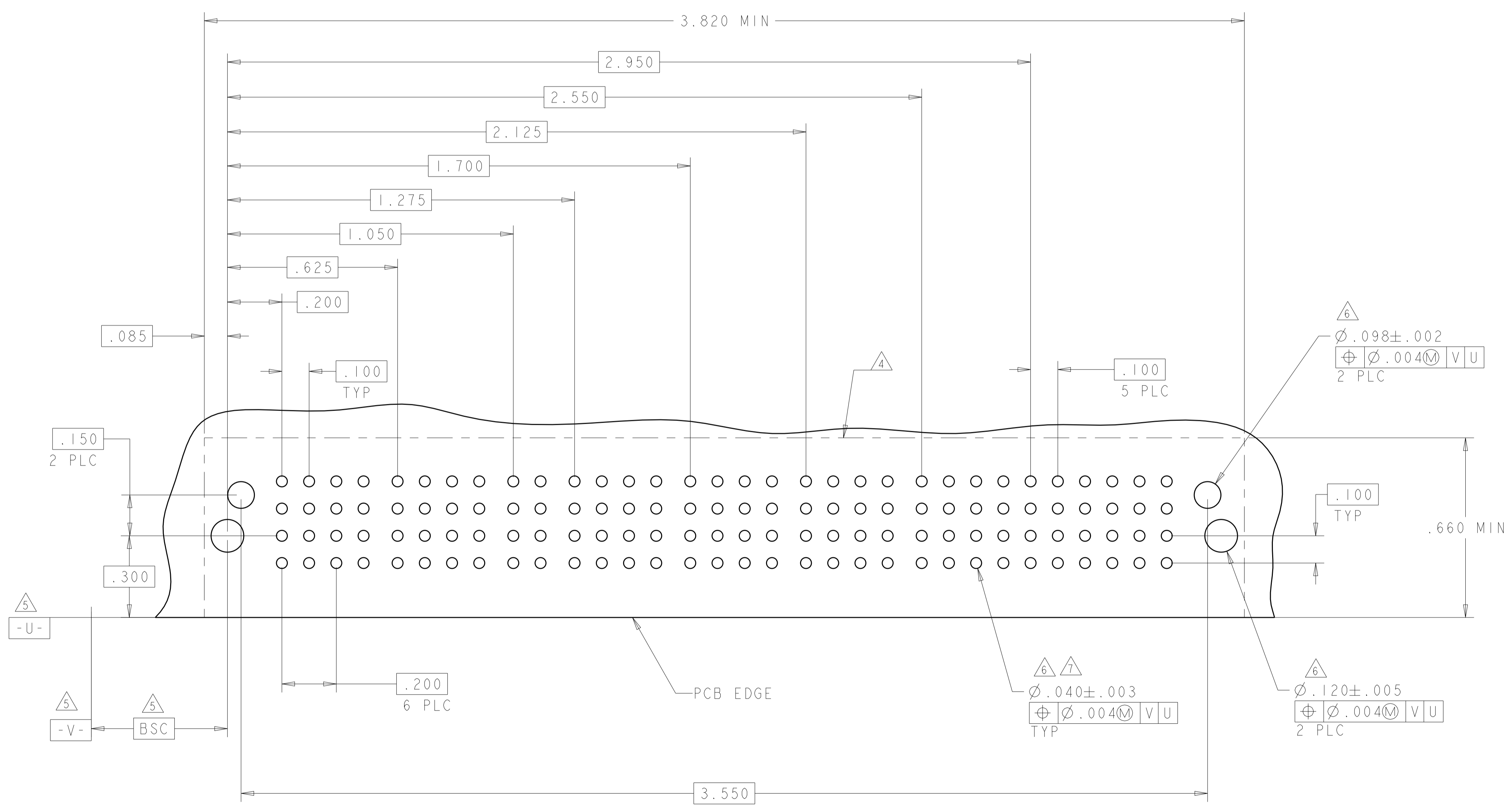
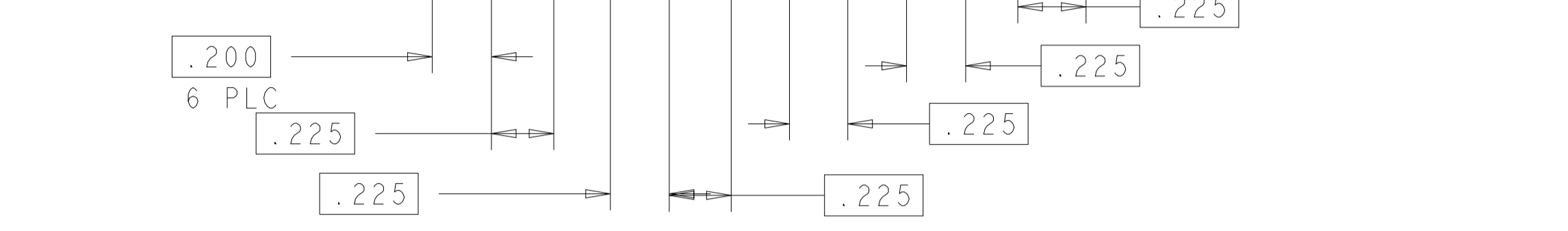
PCB LAYOUT IS THE SAME AS 6450842-2



THIS DRAWING IS A CONTROLLED DOCUMENT.		OWN: HESPER L11 09JUL2008	 TE Connectivity
DIMENSIONS: INCHES		CHK: S. ZHAO 09JUL2008	
TOLERANCES UNLESS OTHERWISE SPECIFIED:		APVD: S. ZHAO	NAME: RIGHT ANGLE HEADER W/ LP CONTACT AND SHORT END MODULES MULTI-BEAM XLE
0 PLC ±. 1 PLC ±.01 2 PLC ±.01 3 PLC ±.005 4 PLC ±.0020 ANGLES ±.2°		PRODUCT SPEC: 108-2292	RESTRICTED TO:
MATERIAL: -		APPLICATION SPEC: 114-13251	SIZE: A100779
FINISH: -		WEIGHT: -	CAGE CODE: 6450842
CUSTOMER DRAWING		SCALE: 4:1	SHEET 3 OF 6 REV B

LOC		DIST		REVISIONS			
ES	00	P	LTN	DESCRIPTION	DATE	OWN	APVD
		-		SEE SHEET 1			

PART NUMBER	ROWS	POWER													SIGNAL					
		P1	P2	P3	P4	P5	P6	P7	P8	P9	P10	P11	P12	P13	1	2	3	4	5	6
6450842-4	D C B A	TT	TT	TT	TT	TT	TT	TT	TT	TT	TT	TT	TT	TT	Z1	Z1	Z5	Z5	Z1	Z1
		TT	TT	TT	TT	TT	TT	TT	TT	TT	TT	TT	TT	TT	Y5	Y1	Y5	Y5	Y5	Y5
		TT	TT	TT	TT	TT	TT	TT	TT	TT	TT	TT	TT	TT	R5	R1	R5	R1	R1	R1
		TT	TT	TT	TT	TT	TT	TT	TT	TT	TT	TT	TT	TT	O5	O5	O5	O5	O5	O5



THIS DRAWING IS A CONTROLLED DOCUMENT. OWN: HESPER L1U 09JUL2008  
 CHK: S. ZHAO 09JUL2008  
 APVD: S. ZHAO

**STE** TE Connectivity

NAME: RIGHT ANGLE HEADER W/ LP CONTACT AND SHORT END MODULES MULTI-BEAM XLE

PRODUCT SPEC: 108-2292  
 APPLICATION SPEC: 114-13251

SIZE: A100779 C=6450842  
 CAGE CODE: 114-13251  
 DRAWING NO: 6450842

MATERIAL: -  
 FINISH: -

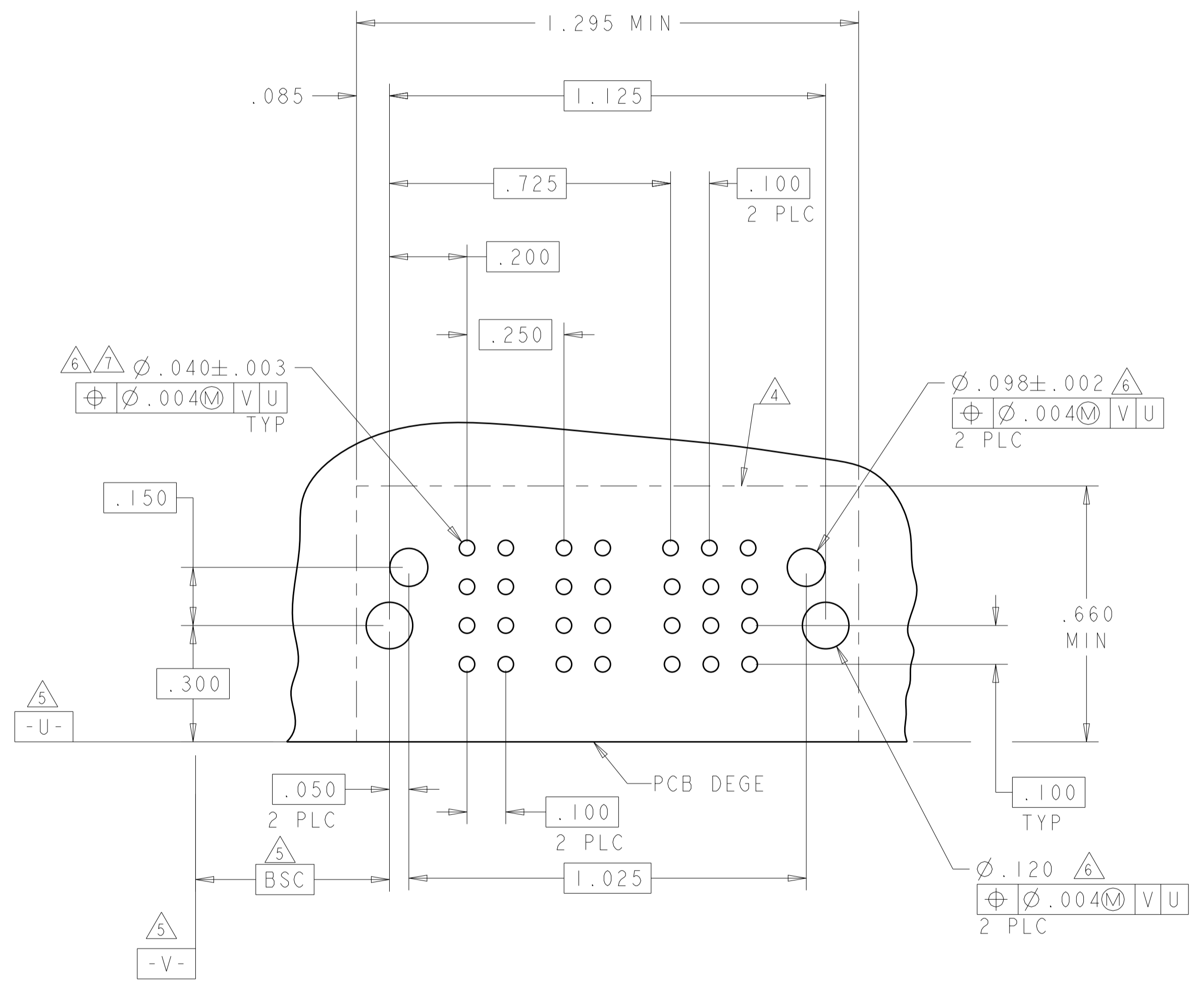
WEIGHT: -  
 CUSTOMER DRAWING

SCALE: 4:1 SHEET 4 OF 6 REV B



LOC	DIST	REVISIONS					
		P	LTN	DESCRIPTION	DATE	DMN	APVD
ES	00	-	-	SEE SHEET 1	-	-	-

PART NUMBER	ROWS	POWER		SIGNAL		
		P1	P2	1	2	3
1-6450842-0	D	TT	TT	Z5	Z5	Z5
	C			Y5	Y5	Y5
	B			R5	R5	R1
	A			05	05	01
2P + 12S						



THIS DRAWING IS A CONTROLLED DOCUMENT.		OWN: HESPER L11 09JUL2008	TE Connectivity																																
DIMENSIONS: INCHES		CHK: S. ZHAO 09JUL2008																																	
		TOLERANCES UNLESS OTHERWISE SPECIFIED:	NAME: RIGHT ANGLE HEADER W/ LP CONTACT AND SHORT END MODULES MULTI-BEAM XLE																																
<table border="1"> <tr><td>0 PLC</td><td>±</td></tr> <tr><td>1 PLC</td><td>±.01</td></tr> <tr><td>2 PLC</td><td>±.01</td></tr> <tr><td>3 PLC</td><td>±.005</td></tr> <tr><td>4 PLC</td><td>±.0020</td></tr> <tr><td>ANGLES</td><td>±.2°</td></tr> <tr><td>FINISH</td><td>-</td></tr> </table>		0 PLC	±	1 PLC	±.01	2 PLC	±.01	3 PLC	±.005	4 PLC	±.0020	ANGLES	±.2°	FINISH	-	<table border="1"> <tr><td>APVD: S. ZHAO</td><td>-</td></tr> <tr><td>PRODUCT SPEC: 108-2292</td><td>-</td></tr> <tr><td>APPLICATION SPEC: 114-13251</td><td>-</td></tr> <tr><td>WEIGHT: -</td><td>-</td></tr> <tr><td>CUSTOMER DRAWING</td><td>-</td></tr> </table>	APVD: S. ZHAO	-	PRODUCT SPEC: 108-2292	-	APPLICATION SPEC: 114-13251	-	WEIGHT: -	-	CUSTOMER DRAWING	-	<table border="1"> <tr><td>SIZE: A1</td><td>CAGE CODE: -</td><td>DRAWING NO: 6450842</td><td>RESTRICTED TO: -</td></tr> <tr><td>SCALE: 4:1</td><td>SHEET: 6</td><td>OF: 6</td><td>REV: B</td></tr> </table>	SIZE: A1	CAGE CODE: -	DRAWING NO: 6450842	RESTRICTED TO: -	SCALE: 4:1	SHEET: 6	OF: 6	REV: B
0 PLC	±																																		
1 PLC	±.01																																		
2 PLC	±.01																																		
3 PLC	±.005																																		
4 PLC	±.0020																																		
ANGLES	±.2°																																		
FINISH	-																																		
APVD: S. ZHAO	-																																		
PRODUCT SPEC: 108-2292	-																																		
APPLICATION SPEC: 114-13251	-																																		
WEIGHT: -	-																																		
CUSTOMER DRAWING	-																																		
SIZE: A1	CAGE CODE: -	DRAWING NO: 6450842	RESTRICTED TO: -																																
SCALE: 4:1	SHEET: 6	OF: 6	REV: B																																