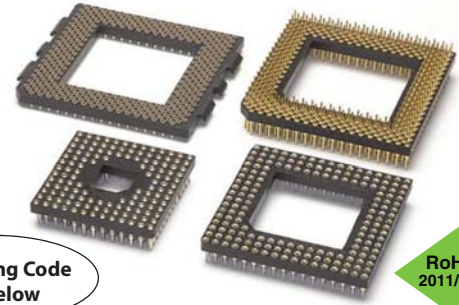


# PIN GRID ARRAY SOCKETS

**SERIES 510, 511, 513, 514, 515, 518, 522, 523 • .100" AND INTERSTITIAL GRID • SURFACE MOUNT, THROUGH-HOLE AND WIREWRAP**

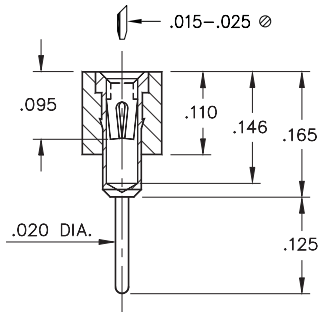
- Series 510, 511, 514, 515, 522 and 523 PGA sockets are available on .100" centers
- Series 513 and 518 PGA sockets are available for Interstitial patterns
- Choice of three low force clips to cover all applications
- High temperature PCT polyester insulator material suitable for all forms of soldering including lead-free
- For Electrical, Mechanical and Environmental Data, see page 137 for details



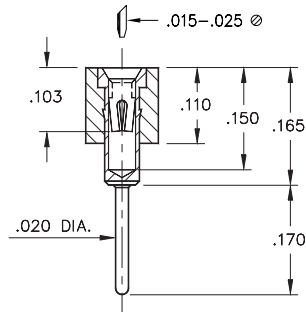
XX=Plating Code  
See Below

RoHS-2  
2011/65/EU

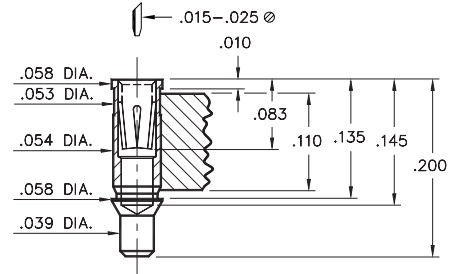
**SERIES 510** (Standard Solder Tail)



**SERIES 511** (Long Solder Tail)

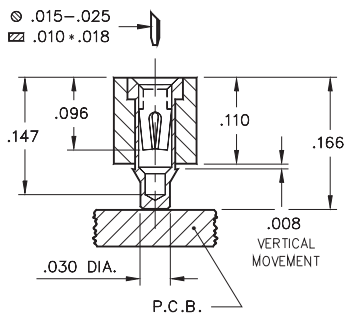


**SERIES 513** (SMT Receptacle)

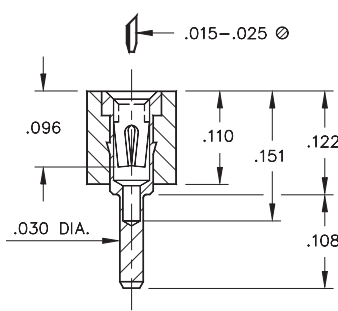


Interstitial Patterns Only

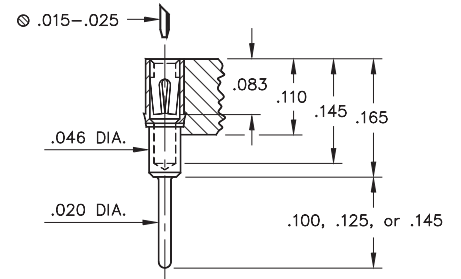
**SERIES 514** (SMT Receptacle)



**SERIES 515** (Low Profile Solder Tail)

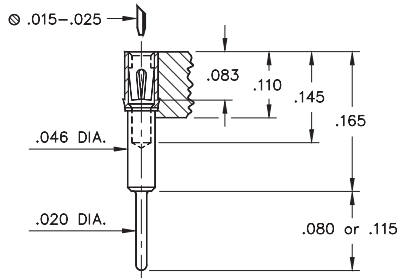


**SERIES 518** (Solder Tail No, Heatsink Tabs)



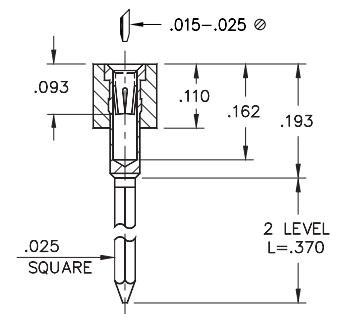
Interstitial Patterns Only

**SERIES 518** (Solder Tail w/ Heatsink Tabs)

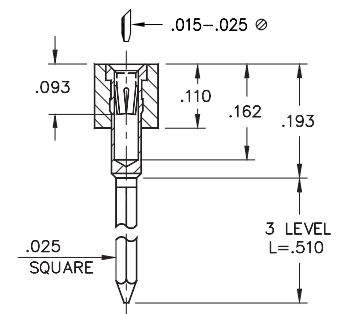


Interstitial Patterns Only

**SERIES 522** (2 Level Wrapost)



**SERIES 523** (3 Level Wrapost)



Visit [www.mill-max.com/pga](http://www.mill-max.com/pga) to configure a formal part number

SPECIFY PLATING CODE XX=	13	91	93	99	43
Sleeve (Pin)	10 μ" Au	200 μ" Sn/Pb	200 μ" Sn/Pb	200 μ" Sn/Pb	200 μ" Sn
Contact (Clip)	30 μ" Au	10 μ" Au	30 μ" Au	100 μ" Sn/Pb	30 μ" Au

