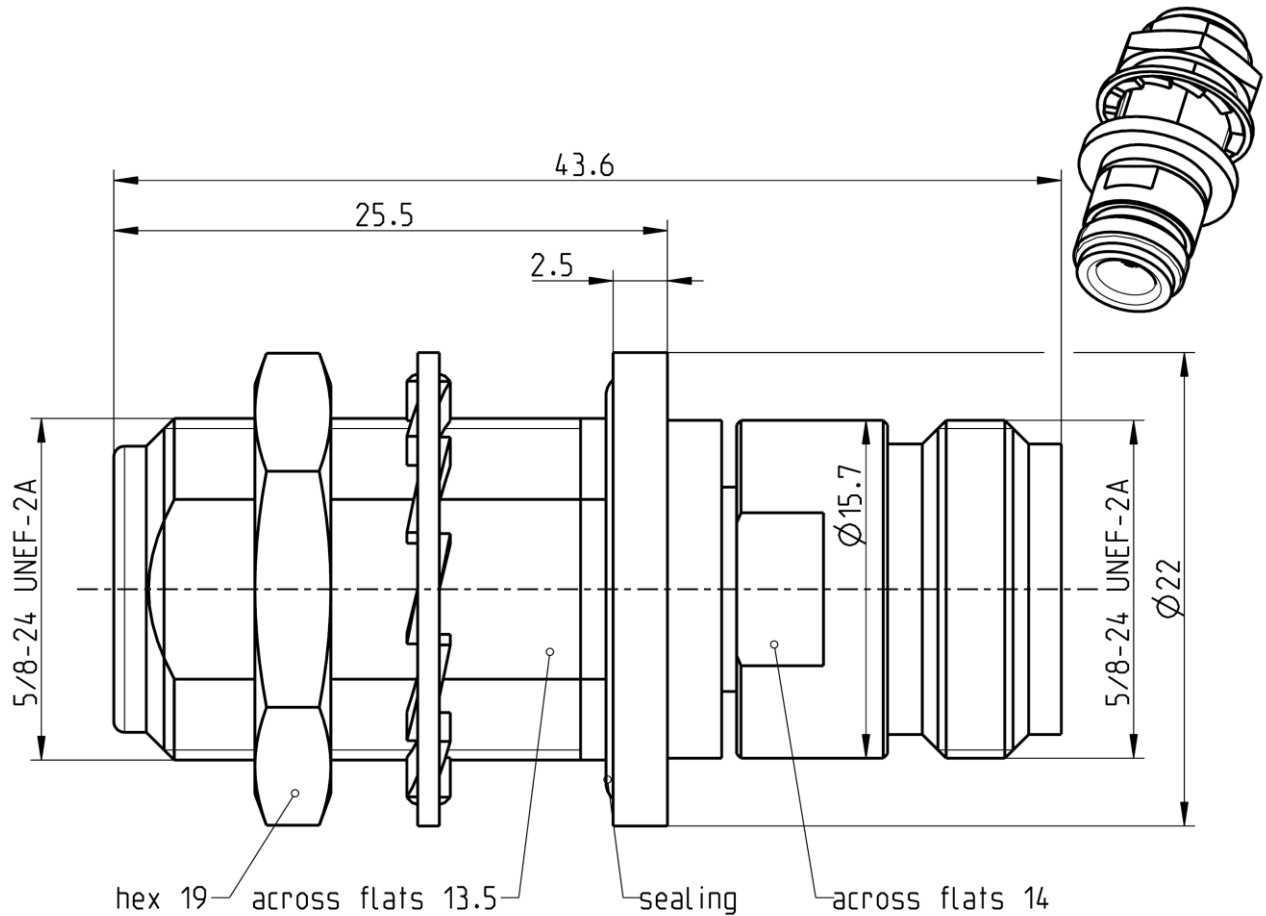


RPC-N
50 Ω

Adaptor
jack – jack

05K521-K00S3



All dimensions are in mm; tolerances according to ISO 2768 m-H

Interface

According to IEC 61169-16; MIL-STD 348A/402

Documents

Panel piercing B 13

Material and plating

Connector parts

- Center contact
- Outer contact
- Dielectric
- Gasket
- Hexagon nut
- Toothed lock washer

Material

- CuBe
- Stainless steel
- PPE
- NBR
- Brass
- Stainless steel

Plating

- Gold, min. 1.27 μm, over chemical nickel
- Passivated
- Nickel, 2.5-5 μm
- Passivated

Dieses Dokument ist urheberrechtlich geschützt • This document is protected by copyright • Rosenberger Hochfrequenztechnik GmbH & Co. KG

RF_35/09.14/6.2

RPC-N
50 Ω

Adaptor
jack – jack

05K521-K00S3

Electrical data

Impedance 50 Ω
 Frequency DC to 18 GHz
 Return loss ≥ 26 dB, DC to 18 GHz
 Insertion loss ≤ 0.05 x √f(GHz) dB
 Insulation resistance ≥ 5 GΩ
 Test voltage (at sea level) 2500 V rms
 Working voltage (at sea level) 1000 V rms
 RF-leakage ≥ 90 dB up to 1 GHz

Mechanical data

Mating cycles ≥ 500
 Center contact captivation ≥ 28 N
 Coupling test torque 1.70 Nm
 Recommended torque 0.70 Nm to 1.10 Nm

Environmental data

Temperature range -40°C to +85°C
 Thermal shock IEC 61169-1, Subclause 9.4.4
 Corrosion IEC 61169-1, Subclause 9.4.6
 Vibration IEC 61169-1, Subclause 9.3.3
 Shock IEC 61169-1, Subclause 9.3.14
 Moisture resistance IEC 61169-1, Subclause 9.4.3
 RoHS compliant

Tooling

N/A

Suitable cables

N/A

Weight

55.2 g/pce

While the information has been carefully compiled to the best of our knowledge, nothing is intended as representation or warranty on our part and no statement herein shall be construed as recommendation to infringe existing patents. In the effort to improve our products, we reserve the right to make changes judged to be necessary.

Draft	Date	Approved	Date	Rev.	Engineering change number	Name	Date
H. Babinger	19.10.06	F. Reiner	02.07.18	b01	18-1026	M. Ruf	29.06.18

Rosenberger Hochfrequenztechnik GmbH & Co. KG
 P.O.Box 1260 D-84526 Tittmoning Germany
www.rosenberger.de

Tel. : +49 8684 18-0
 Email : info@rosenberger.de

Page
2 / 2