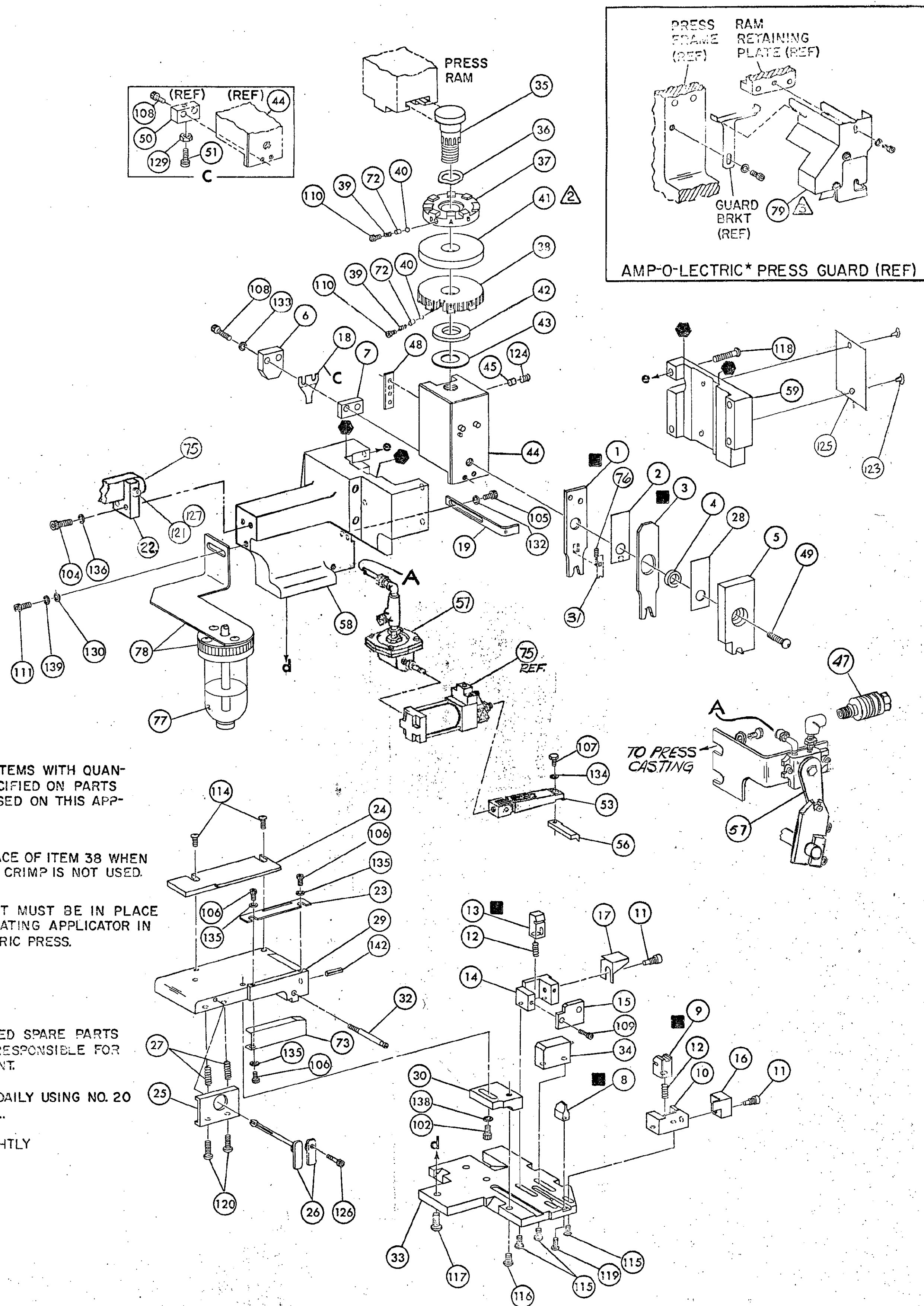


THIS DRAWING IS A CONTROLLED DOCUMENT.



NOTES:

1- ONLY THE ITEMS WITH QUANTITIES SPECIFIED ON PARTS LIST ARE USED ON THIS APPLICATOR.

▲ USED IN PLACE OF ITEM 38 WHEN INSULATION CRIMP IS NOT USED.

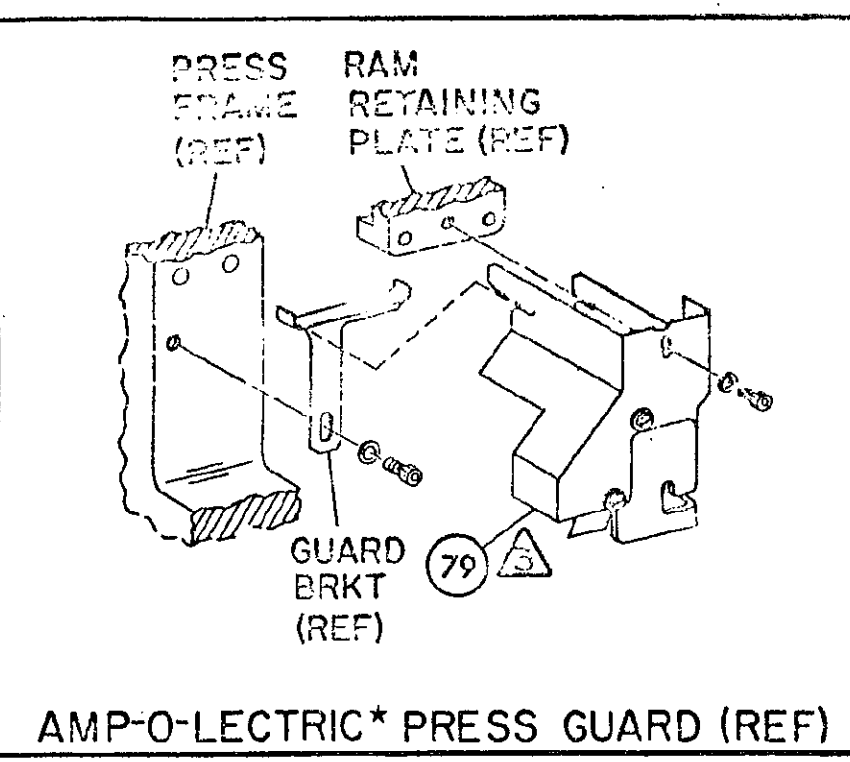
▲ GUARD MUST BE IN PLACE WHEN OPERATING APPLICATOR IN AMP-O-LECTRIC PRESS.

KEY:

■ RECOMMENDED SPARE PARTS CUSTOMER RESPONSIBLE FOR REPLACEMENT.

▲ LUBRICATE DAILY USING NO. 20 MACHINE OIL.

● GREASE LIGHTLY



| QTY | PART NO | DESCRIPTION | ITEM NO |
|-----|------------|--|---------|
| | 21045-3 | RING, RETAINING "J" (.187 DIA) FEED FINGER PIN | 145 |
| | | | 144 |
| | 5-21028-1 | PIN, SLOT SPR (.125 DIA X .50) ADJ ROD | 143 |
| 1 | 4-21028-0 | PIN, SLOT SPR (.093 DIA X .75) STR G PLATE | 142 |
| | 1-21030-1 | PIN, DOWEL (.187 DIA X .50) LEVER | 141 |
| | 1-21030-6 | PIN, DOWEL (.187 DIA X 1.25) HOUSING | 140 |
| | 21024-5 | WASHER, LOCK (NO 10) LUB ASSY | 139 |
| 7 | 21024-5 | WASHER, LOCK (NO 10) STRIP GUIDE ADJ BLOCK | 138 |
| | 21024-5 | WASHER, LOCK (NO 10) ADJ PLATE | 137 |
| | 21024-5 | WASHER, LOCK (NO 10) FEED GUIDE ROD | 136 |
| 3 | 21057-2 | WASHER, LOCK (NO 4) FRONT STRIP GUIDE | 135 |
| 1 | 21024-4 | WASHER, LOCK (NO 8) FEED FINGER | 134 |
| | 21024-4 | WASHER, LOCK (NO 8) DEPRESSOR | 133 |
| 1 | 21024-4 | WASHER, LOCK (NO 8) STRIPPER | 132 |
| | 21899-4 | WASHER, FLAT (5/16 DIA) SCREW ADJ | 131 |
| | 21899-2 | WASHER, FLAT (NO 10) LUB ASSY | 130 |
| | 21068-5 | NUT, HEX MACH (6-32) HOLDDOWN | 129 |
| | 21068-5 | NUT, HEX MACH (6-32) FEED ADJ | 128 |
| 1 | 21024-8 | WASHER, LOCK (3/8) AIR ASSY | 127 |
| | 22353-6 | SCR, SHLD. (.187 DIA X .250 LG) DRAG LEVER | 126 |
| 1 | 461264-1 | PLATE IDENTIFICATION | 125 |
| 1 | 21009-2 | SCR, SKT SET (1/4-20 X .25) (LOC-WEL) RAM | 124 |
| 2 | 21017-2 | SCR, DRIVE (2 X .19) ID PLATE | 123 |
| | 3-21064-2 | SCR, RD HD MACH (6-32 X 1.50) FEED ADJ | 122 |
| 7 | 3-21001-5 | SCR SKT HD CAP (3/8-16 X 1.00) AIR ASSY | 121 |
| 2 | 3-21002-0 | SCR, BUT HD SKT CAP (10-32 X .88) DRAG | 120 |
| 1 | 22733-8 | SCR, BUT HD SKT CAP (8-32 X .38) (LOC-WEL) ANVIL | 119 |
| 4 | 2-21002-9 | SCR, BUT HD SKT CAP (10-32 X .75) CAP | 118 |
| 3 | 2-22733-8 | SCR, BUT HD SKT CAP (1/4-20 X .62) HOUSING | 117 |
| 7 | 2-21002-7 | SCR, BUT HD SKT CAP (10-32 X .50) SG ADJ BLOCK | 116 |
| 2 | 2-21002-2 | SCR, BUT HD SKT CAP (8-32 X .50) SHEAR | 115 |
| 2 | 2-21002-2 | SCR, BUT HD SKT CAP (8-32 X .50) R STRIP GUIDE | 114 |
| | | | 113 |
| | 2-21003-0 | SCR, FLAT HD SKT CAP (6-32 X .50) CAM | 112 |
| | 3-21000-4 | SCR, SKT HD CAP (10-32 X .38) LUBRICATOR ASSY | 111 |
| 2 | 23030-1 | SCR, SKT HD CAP (6-32 X .25) (LOC-WEL) CP DISC | 110 |
| | | SCR, SKT HD CAP (6-32 X .) REAR SHEAR PLATE | 109 |
| | | SCR, SKT HD CAP (8-32 X .) DEPRESSOR | 108 |
| 1 | 2-22603-1 | SCR, HEX HD MACH (8-32 X .38) FEED FINGER | 107 |
| 3 | 1-21000-3 | SCR, SKT HD CAP (4-40 X .25) F STRIP GUIDE | 106 |
| 1 | 2-21000-7 | SCR, SKT HD CAP (8-32 X .50) STRIPPER | 105 |
| 2 | 3-21000-9 | SCR, SKT HD CAP (10-32 X 1.00) FEED ROD GUIDE | 104 |
| | 3-21000-6 | SCR, SKT HD CAP (10-32 X .62) FEED ADJ BLOCK | 103 |
| 1 | 3-21000-4 | SCR, SKT HD CAP (10-32 X .38) SG ADJ BLOCK | 102 |
| | 3-21000-4 | SCR, SKT HD CAP (10-32 X .38) PIVOT BLOCK | 101 |
| 1 | 46292-2 | GUARD ASSY | 79 |
| | 1-465184-0 | LUBRICATOR ASSY | 78 |
| | | OIL, LUBRICATING | 77 |
| 1 | 1-22278-9 | SPRING | 76 |
| 1 | 461065-1 | AIR FEED ASSY | 75 |
| | 458109-1 | WASHER, SPECIAL | 74 |
| 1 | 454877-3 | PLATE, STRIP GUIDE COVER | 73 |
| 2 | 690603-1 | SPRING, ASSIST | 72 |
| | 690517-1 | SPACER | 71 |
| | 22594-8 | NUT, HEX | 70 |
| | 240628-1 | PLATE, ADJUSTMENT | 69 |
| | 240626-1 | SHAFT, PIVOT | 68 |
| | 240633-1 | BUSHING | 67 |
| | 455680-1 | LEVER, INTERMEDIATE | 66 |
| | 240629-1 | BLOCK, PIVOT | 65 |
| | 240632-2 | SCREW, ADJUSTMENT FEED ROD | 64 |
| | 240659-3 | PIN, CAM ROLLER | 63 |
| | 240658-1 | ROLLER, CAM | 62 |
| | 454398-2 | ROD, FEED | 61 |
| | 454178-1 | GUIDE, FEED ROD | 60 |

| CRIMPING DATA | | | | APPLICATOR WILL APPLY | |
|---------------|--------------|-------------|--------------|-----------------------|----------|
| PAD LTR | CRIMP HEIGHT | WIRE SIZE | STRIP LENGTH | | |
| A | .094 | RG17A CABLE | | | 226176-3 |
| B | NOT USED | | | | 227171-1 |
| C | NOT USED | | | | |
| D | NOT USED | | | | |

| CRIMP | SIZE | TYPE | FEED | APPL INST |
|-------|------|------|------|-----------|
| WIRE | .094 | 0 | .500 | A1 8040 |
| INSUL | .122 | 0 | | |

WIRE RANGE: RG17A CABLE
INSULATION RANGE: .105-.130
PRESS NO: 565435-5

REMARKS: PRE-FEED AMP-O-LECTRIC AIR-FEED

| | | |
|------------------------------|----------------|----------------|
| REMARKS | NO | REV |
| APPL USED ON MACHINE PART NO | MACH SERIAL NO | DISTRIBUTION |
| CUSTOMER NAME | APPL SERIAL NO | ORIGINAL |
| ADDRESS | PURCHASE ORDER | CUSTOMER COPY |
| CITY | ENG APP | FIELD ENG COPY |

THIS DRAWING IS UNCONTROLLED. ALL RIGHTS RESERVED. © COPYRIGHT 1988

| REV | DESCRIPTION | DATE | BY | CHK | APP |
|-----|--------------------|-------|----|-----|-----|
| 1 | ECN 0150-9329-99 | 5-99 | | | |
| 2 | ECN 0150-6219-95 | 6-95 | | | |
| 3 | ECN 0150-4924-93 | 10-93 | | | |
| 4 | 0150-4376-43 | 11-93 | | | |
| 5 | ECN A158288 | 11-93 | | | |
| 6 | REV PER ECN-R 4143 | 12-93 | | | |
| 7 | REV PER ECN R 2752 | 12-93 | | | |
| 8 | REV PER ECN R 2752 | 12-93 | | | |

SET UP GAGE 10-1
458637-1 712
DR 0150-93
APR 1993
CHK BY: [Signature]
REL: [Signature]
LOC: A D
REV: 16
NAME: [Signature]
MINIATURE QUICK CHANGE APPLICATOR
SIDE FEED (COAXIAL RF CONTACT)

AMP INCORPORATED
Harrisburg, Pa.

00779 CUSTOMER AND ASSEMBLY DRAWING