

4

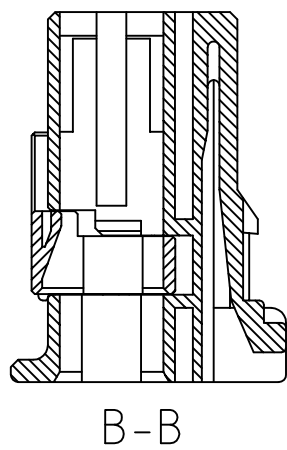
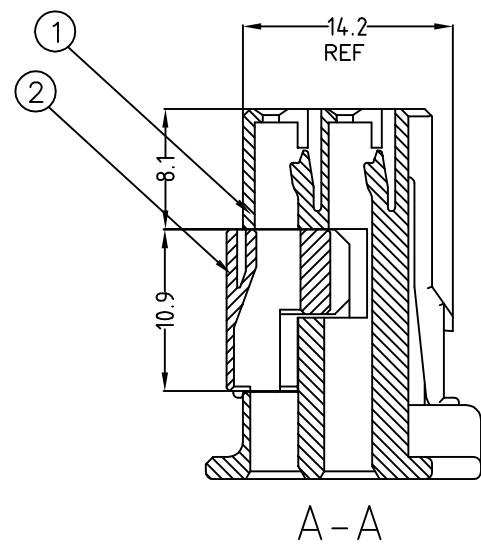
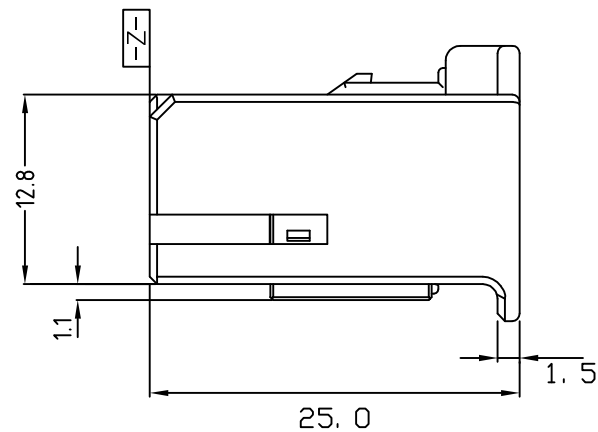
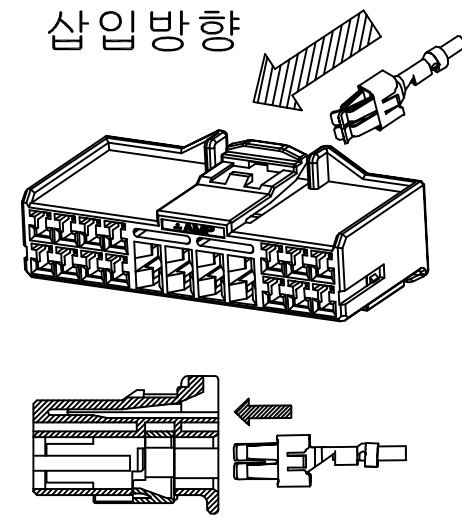
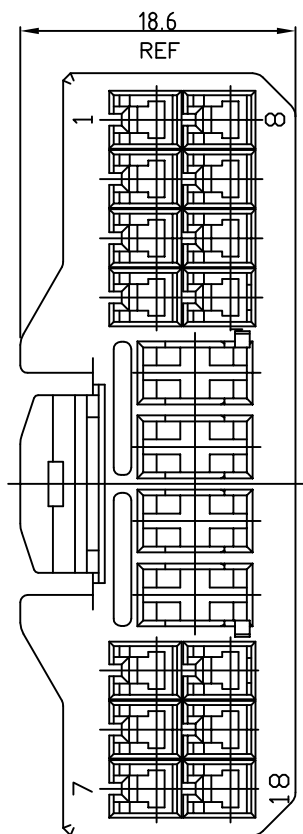
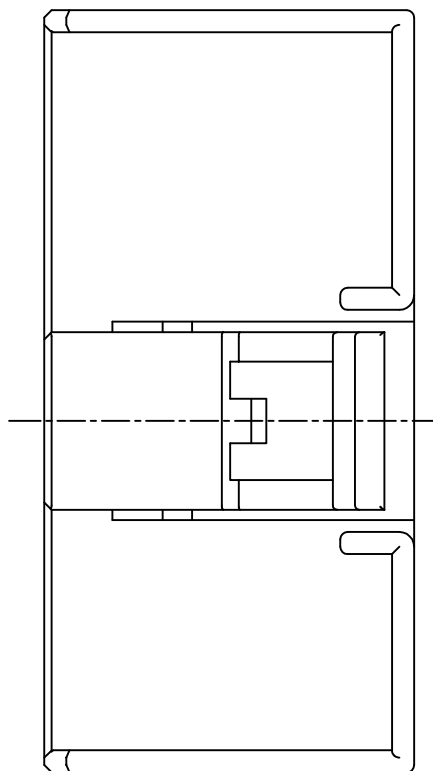
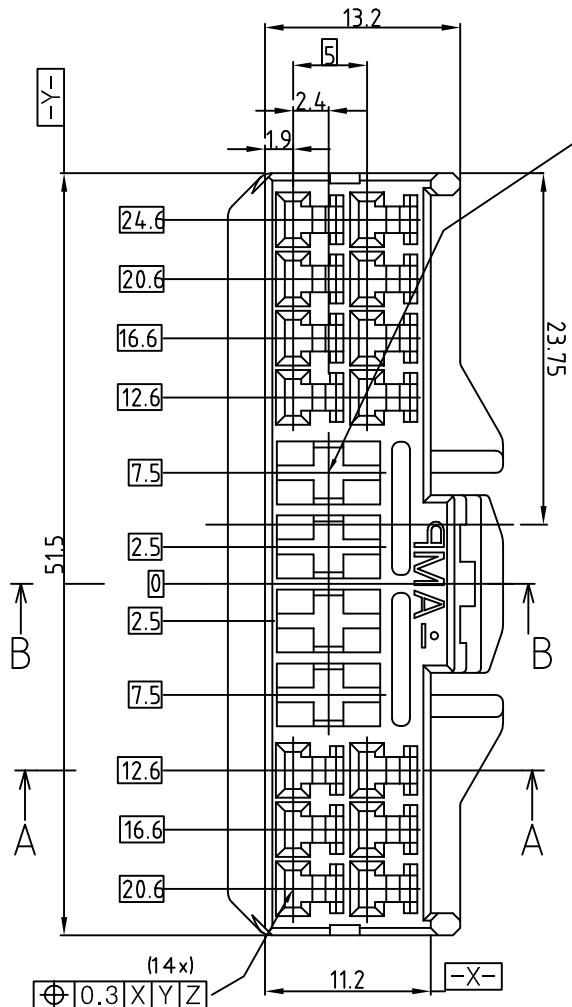
3

2

1

THIS DRAWING IS UNPUBLISHED. RELEASED FOR PUBLICATION
COPYRIGHT BY TYCO ELECTRONICS CORPORATION, ALL RIGHTS RESERVED.

| LOC | DIST | REVISIONS | | | | | |
|-----|------|-----------|-----|-------------------------|------------|-----|------|
| | | P | LTR | DESCRIPTION | DATE | DWN | APVD |
| DS | - | | B2 | REVISED (ECR-07-024059) | 25.JAN.'07 | CM | JK |
| | | | B3 | REVISED (ECR-09-019350) | 31.AUG.'09 | KT | HG |
| | | | B4 | REVISED (ECR-12-019821) | 15.NOV.'12 | JM | HG |



NOTE
 1. APPLIED CONTACT P/N;
 090 II- 368083, 368084, 368085
 090 III- 1743654, 1743655, 1743656
 S.P.T.- 927840-2, 927831-2, 927827-2, 927829-2, 964203-1, 964204-1
 2. APPLICABLE PRODUCT SPEC NO. ; 108-61046
 -주기-
 1. 적용단자 P/N. ; 090 II - 368083, 368084, 368085
 090 III - 1743654, 1743655, 1743656
 S.P.T. - 927840-2, 927831-2, 927827-2, 927829-2, 964203-1, 964204-1
 2. 적용제품 규격서 ; 108-61046

| ASS'Y P/N | DESCRIPTION |
|-----------|----------------------------|
| 368497-3 | 090/250 HYB 18P PLUG ASS'Y |
| 368497-2 | 090/250 HYB 18P PLUG ASS'Y |
| 368497-1 | 090/250 HYB 18P PLUG ASS'Y |

| NO. | COLOR | MATERIAL | DESCRIPTION | QTY |
|-----|---------|----------|-------------|-----|
| 2 | NATURAL | PBT | DBL HSG | 1 |
| | GRAY | PBT | PLUG HSG | 1 |
| | BLACK | PBT | PLUG HSG | 1 |
| 1 | NATURAL | PBT | PLUG HSG | 1 |

| | | |
|------------------------------------------------------------------------------------------------------------------------------------------------------------------------------------------|--|-----------------------|
| THIS DRAWING IS A CONTROLLED DOCUMENT FOR TYCO ELECTRONICS CORPORATION IT IS SUBJECT TO CHANGE AND THE CONTROLLING ENGINEERING ORGANIZATION SHOULD BE CONTACTED FOR THE LATEST REVISION. | | DWN JM JEON |
| DIMENSIONS: MM | | CHK JW JUNG |
| TOLERANCES UNLESS OTHERWISE SPECIFIED: 0 <XX<10 ± 0.2 10<XX<30 ± 0.25 30<XX ± 0.3 ANGLES ± 3° | | APVD HG CHD |
| MATERIAL SEE TABLE | | PRODUCT SPEC - |
| FINISH | | APPLICATION SPEC - |
| | | WEIGHT - |
| | | CUSTOMER DRAWING |

TE TE Connectivity

NAME
090/250 HYB 18P PLUG HSG ASS'Y

SIZE CAGE CODE DRAWING NO RESTRICTED TO
A3 00779 C-368497 -

SCALE 2/1 SHEET 1 OF 1 REV B4