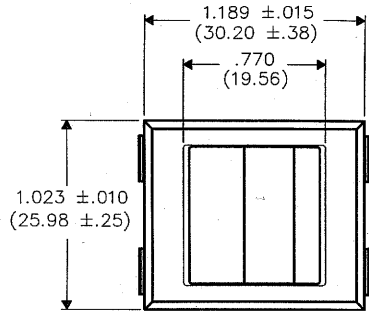
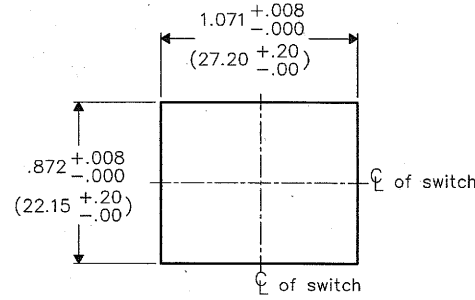


E  
D  
C  
B  
A



**PANEL PIERCING**

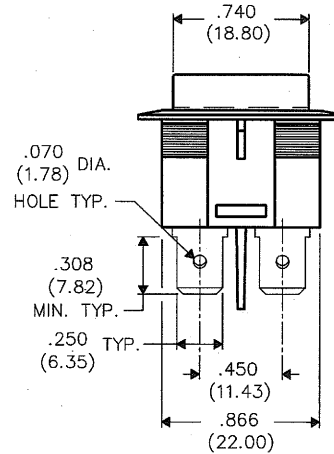
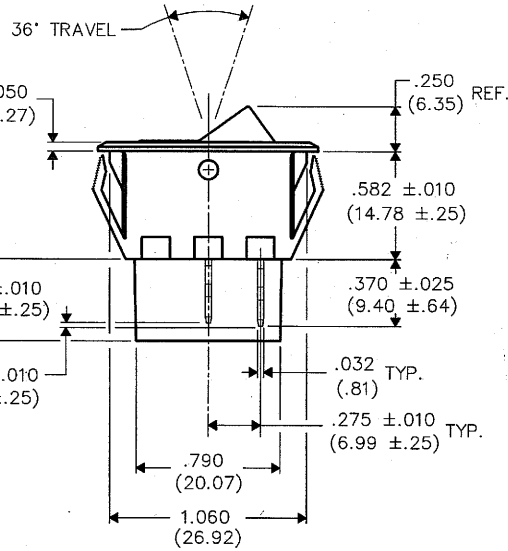


**MATERIAL:**

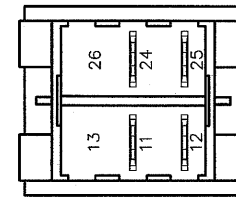
BUTTON: Nylon 6/6, Color - White  
HOUSING: Nylon 6/6, Color - Black

**UL/CSA/VDE Listed**

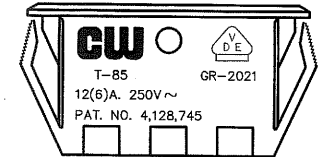
16A 125VAC 12A 250VAC  
3/4 H.P. 125-250VAC  
10A 14V(T) 12(6) 250V ~  
T-85 GR-2021



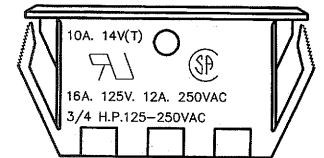
**BOTTOM VIEW**



**SIDE ONE**



**SIDE TWO**



B-FORMAT 2002															
REVISIONS															
0	NEW RELEASE. DGW 12-21-2009														
1	ADDED VIEWS OF SIDE ONE, SIDE TWO & MATERIAL FOR BUTTON & HOUSING TO DRAWING. DGW 12-22-2009 G.G. DEC 22 2009														
1	2	3	4	5	6	7	8	9	10						
<p><b>CW INDUSTRIES</b> Southampton, Pa. 18966</p> <p>TOLERANCES UNLESS OTHERWISE SPECIFIED</p> <table border="0"> <tr> <td>2 Place Decimal ±.010</td> <td>METRIC</td> </tr> <tr> <td>3 Place Decimal ±.005</td> <td>1 Place Dec. ±.25mm</td> </tr> <tr> <td>Angles ..... ±1°</td> <td>2 Place Dec. ±.13mm</td> </tr> </table> <p>Made for: CW IND.</p> <p>Drawn by: DGW 12/21/2009</p> <p>Checked by: G. Guld 12-21-09</p> <p>Approval: G. Guld 12-21-09</p>							2 Place Decimal ±.010	METRIC	3 Place Decimal ±.005	1 Place Dec. ±.25mm	Angles ..... ±1°	2 Place Dec. ±.13mm	<p>Title: <b>ROCKER SWITCH ASSEMBLY D.P.- S.T.</b></p> <p>Division: <b>SWITCH</b></p> <p>Dwg. No. <b>GR-2021-0014</b></p>		
2 Place Decimal ±.010	METRIC														
3 Place Decimal ±.005	1 Place Dec. ±.25mm														
Angles ..... ±1°	2 Place Dec. ±.13mm														

**MASTER**