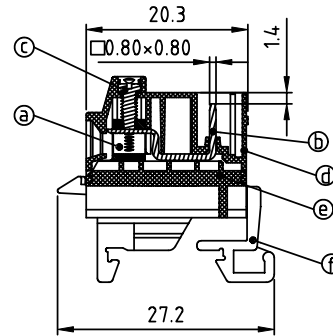
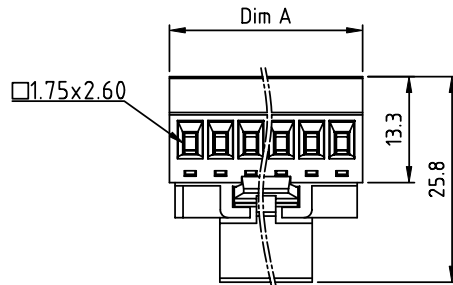
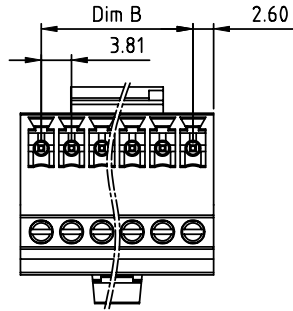


PRODUCT NUMBER	PITCH
V5xx31x200J0G	3.81mm



Material:

- ItemⒶClamp: Brass Ni plated
- ItemⒷPin: Brass, Tin plated.
- ItemⒸTerminal screw: Steel Zinc plating
- ItemⒹTerminal housing: Thermoplastic (UL94V-0)
- ItemⒺTerminal cover: Thermoplastic (UL94V-0)
- ItemⒻTerminal(track): Thermoplastic (UL94V-0)

Electrical:

- cULus
- Voltage rating:300V
- Current rating: 8A
- Wire range:
- Solid wire(AWG):14-28
- Stranded wire(AWG):14-28
- Torque(Lb-In):2.17
- Screw:M2
- Wire strip length: 6 mm
- Withstanding Voltage:1.6KV
- Operating temperature:-40°C to +115°C
- Safety Approval: cULus

PART NO.: V5 xx 31 x 2 00J0 G

N=Number of poles
Dim A=Nx3.81+1.39
Dim B=(N-1)x3.81

Poles	Tolerance
3-6p	±0.10
7-12p	±0.15
13-18p	±0.20
19-24p	±0.30

Solid block	No. of poles	Color	RoHS compliant (lead<4% in copper Alloy)
0	2	Black (RAL9005)	
03	3 poles	Red (RAL3001/D)	
04	4 poles	Orange(RAL2011/P)	
...	...	4 Yellow(RAL1018/A)	
24	24 poles	5 Green(RAL6018/T)	
		6 Blue (RAL5015/A)	
		8 Grey(RAL7035/D)	
		9 White(RAL1102)	
		C Green(RAL6018/U)	

mat'l. code		surface ASME Y14.5	tolerance ASME Y14.5	projection	product family
ltr ecn no dr date		tolerances unless otherwise specified			TERMINAL BLOCK
		angles	X.±0.5	MM	title
		X*±1°	X.X±0.3	scale	TERMINAL BLOCK
		dr	EVIN ZHONG 050414		PLUGGABLE PLUG,DINRAIL MOUNTING, A TYPE
		enrg	EVIN ZHONG 050414		dwg no
		chr	HANKE FENG 050414		sheet 1 of 1
		appd	SHI JUN 050414		size
					V5xx31x200J0G
					A4
					type
					CUSTOMER Drawing
sheet index	revision sheet	A	1		